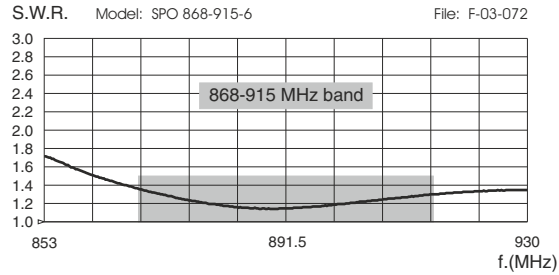


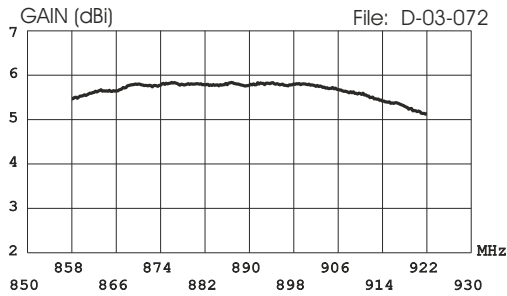
SPO 868-915-6

Base Station Antenna ISM LoRa 868 MHz & 915 MHz bands

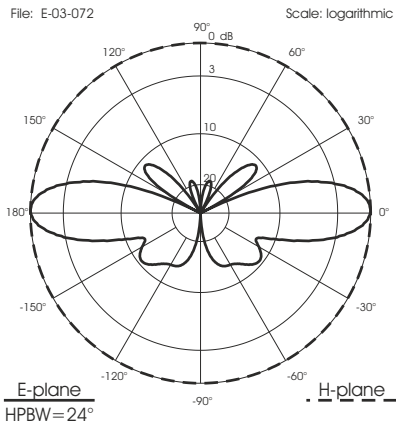
TYPICAL S.W.R. RESPONSE



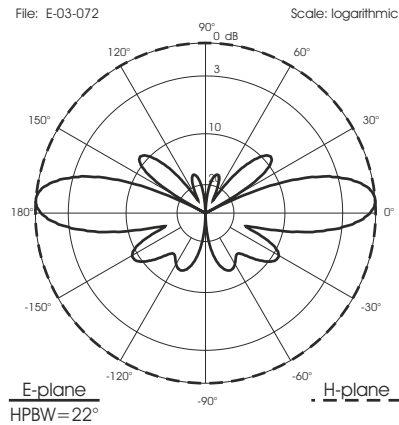
TYPICAL GAIN DIAGRAM vs FREQUENCY



TYPICAL RADIATION PATTERN at 868 MHz



TYPICAL RADIATION PATTERN at 915 MHz

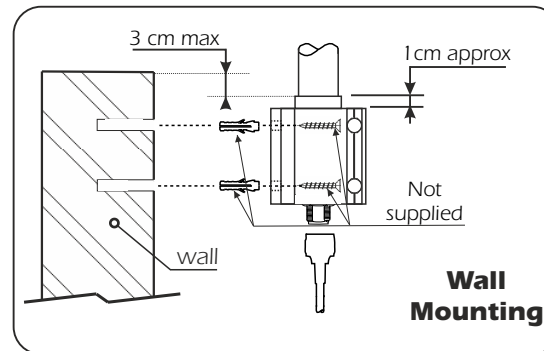
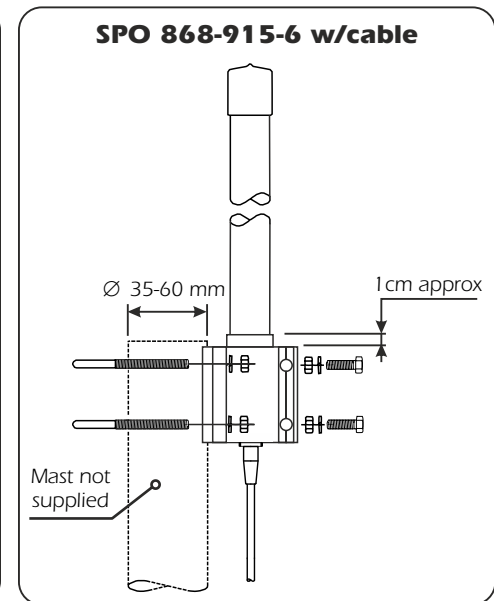
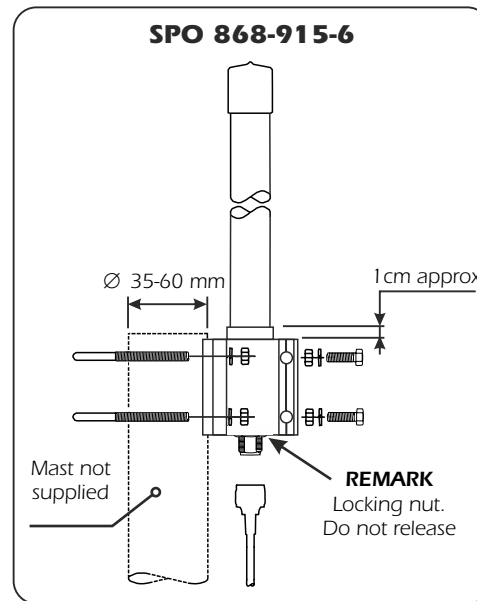


HI-QUALITY ANTENNAS MADE IN ITALY

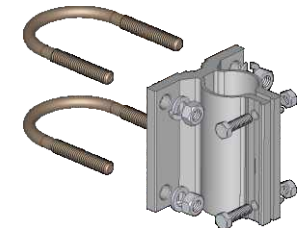
SPECIFICATIONS

	SPO 868-915-6 N-f connector	SPO 868-915-6 cable version
Electrical Data		
Type	3 x 1/2 λ Colinear	
Frequency Range @ SWR ≤ 1.5	868 - 915 MHz	
Impedance	50 Ω	
Antenna detection DC resistance	on request	
Radiation (H-plane)	360° omnidirectional	
Radiation (E-plane) Beamwidth @ -3 dB:	23°	
Radiation angle deg.	0°	
Polarization	Linear Vertical	
Gain	3.7 dBd, 5.8 dBi	
Max Power (CW) @ 30° C	20 Watts	
Cable Type / Length	/	White Low Loss cable / 5m, 16.4 ft
Connector	N-female, gold plated central pin	SMA-male, other type on request
Mechanical Data		
Housing & Radome Material	Fiberglass, PCB, Anodized aluminium, Nickel plated brass	
Bracket & Hardware Material	Aluminium, Stainless steel, Zinc plated steel	
Wind Load @ 150 Km/h, 93 mi/h	36 N	
Wind Resistance	140 Km/h, 87 mi/h	
Wind Surface	0.028 m ² ; 0.3 ft ²	
Height (approx.)	840 mm, 2.75 ft	
Weight (without bracket, approx.)	480 gr, 1.1 lb	560 gr, 1.2 lb
Operating Temperature	-40 °C to +80 °C	
Ingress Protection	IP 66	
Installation type	Mast: Ø 35-60 mm, Ø 1.4-2.4 inch with U-bolt Wall: mounting screws (not included)	

MOUNTING INSTRUCTIONS



Standard Mounting Bracket



Spare parts: P/N SA305
 Materials: extruded aluminium
 Hardware: stainless steel
 Dimensions : 90 x 85 x 65 mm
 Weight: 450 gr

Part list	
Q. ty	Description
1	Extruded aluminium bracket
2	M8x216 U-bolt
4	M8 Grower washer
4	M8 Hexagonal nut
2	M6x20 Hexagonal head screw
2	M6 Grower washer
2	M6 Hexagonal nut

