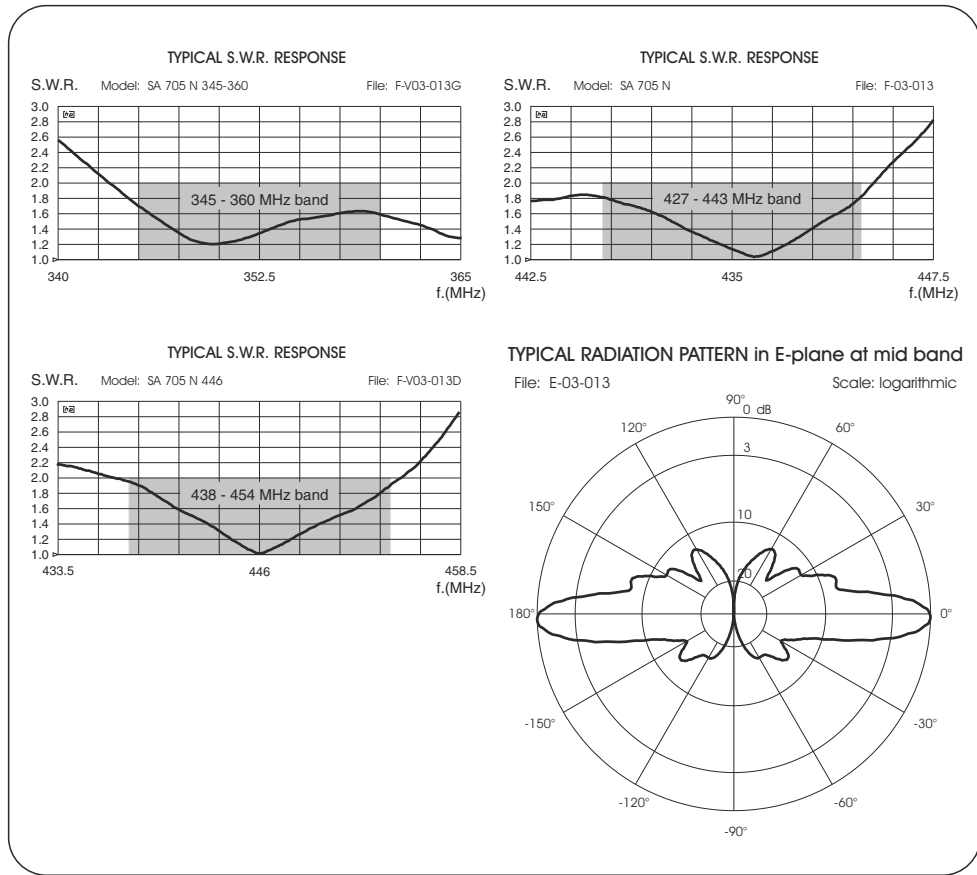


SA 705 N series Fiberglass Hi-Gain UHF Antenna



Installation Manual



DESCRIPTION

Ground Plane colinear antennas for base station service specially conceived for the 70cm amateur band. It is made of very good quality materials to get the best robustness and the highest performance. Its whip is of brass inserted in a fiberglass tube for a total protection against the worst climates and its radials are of stainless steel to get the maximum strength. It is supplied with a solid aluminium bracket for an easy and safe installation to the support mast.

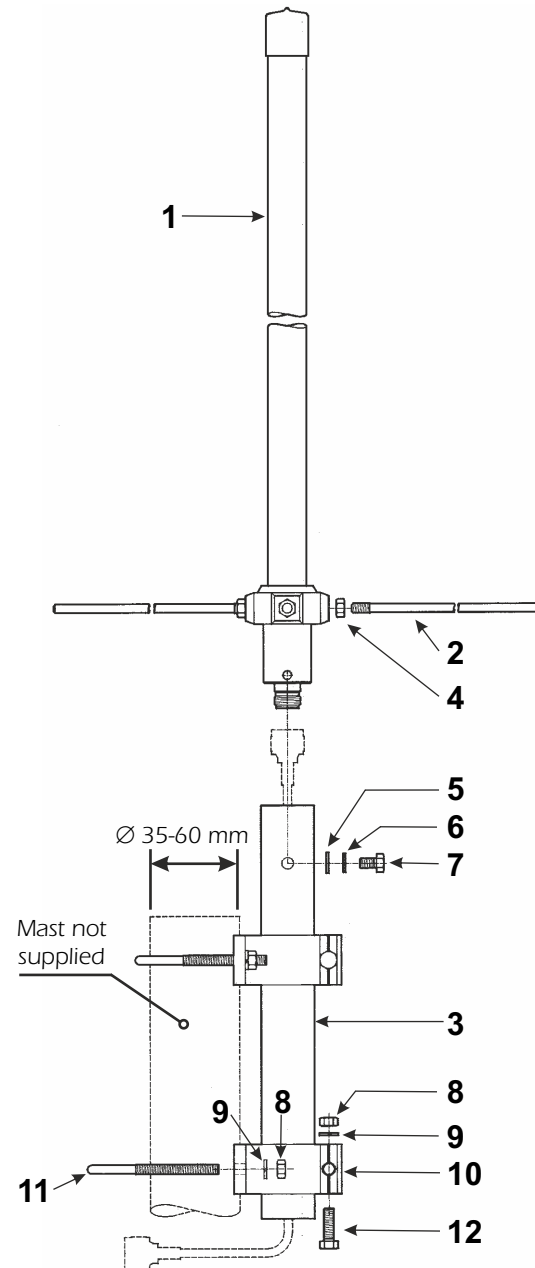
SPECIFICATIONS

Electrical Data	SA 705-N 345-360	SA 705-N 427-443	SA 705-N 446
Type	5 x 5/8 λ Ground Plane Colinear		
Frequency Range @ SWR ≤ 2	345 - 360 MHz	427-443 MHz	438-454 MHz
Impedance	50 Ω		
Radiation (H-plane)	360° omnidirectional - HCM code = 000ND00		
Radiation (E-plane)	Beamwidth @ -3 dB = 17° - HCM code = 009ND26		
Radiation angle deg.	-1.5°		
Polarization	Linear Vertical		
Gain	7.1 dBd - 9.25 dBi		
Max Power (CW) @ 30° C	200 Watts		
Grounding Protection	All metal parts are DC-grounded, the inner conductor show a DC-short	All metal parts are DC-grounded, the inner conductor is coupled capacitively	All metal parts are DC-grounded, the inner conductor is coupled capacitively
Connector	N-female, gold plated central pin		

Mechanical Data

Materials	Fiberglass, Stainless Steel, Aluminium, Chromed Brass		
Wind Load	90 N @ 150 Km/h	81 N @ 150 Km/h	80 N @ 150 Km/h
Wind Resistance	150 Km/h; 93 mi/h	150 Km/h; 93 mi/h	150 Km/h; 93 mi/h
Wind Surface	0.08 m ² ; 0.86 ft ²	0.07 m ² ; 0.75 ft ²	0.07 m ² ; 0.75 ft ²
Height (approx.)	3230 mm; 10.6 ft	2770 mm; 9.1 ft	2720 mm; 8.9 ft
Weight (approx.)	1630 gr; 3.6 lb	1270 gr; 2.8 lb	1270 gr; 2.8 lb
Radial Length (approx.)	170 mm; 0.56 ft		
Mounting Mast	Ø 35-60 mm; 1.4-2.4 in with V-bolt		

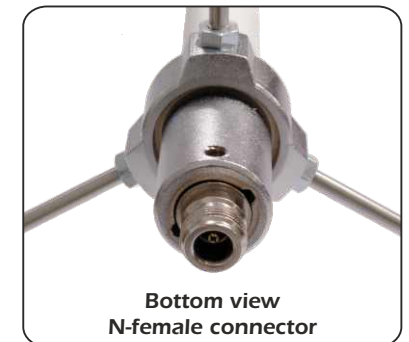
MOUNTING INSTRUCTIONS



Part list		
Pos	Q.ty	Description
1	1	Main antenna SA 705 N
2	3	170mm AISI304 radials
3	1	Ø 29x32x250mm alu. tube
Antenna Fixing Part list		
Re-order code: SA038		
Pos	Q.ty	Description
4	3	M6 AISI304 Hexagonal nuts
5	1	M6 AISI304 washer
6	1	M6 AISI304 Spring lock washer
7	1	M6x10 AISI304 Hex.head screw

FT-5 Fixing Bracket Part list		
Re-order code: 2519613.00		
Pos	Q.ty	Description
8	6	M6 AISI304 Hexagonal nuts
9	6	M6 AISI304 Spring lock washers
10	2	Extruded aluminium brackets
11	2	M6x206 AISI304 V-bolt
12	2	M6x20 AISI304 Hex head screw

Mounting needed tools:
10 mm open key



Bottom view
N-female connector