

T-VHF 163-173

VHF Mobile Antenna 163-173 MHz

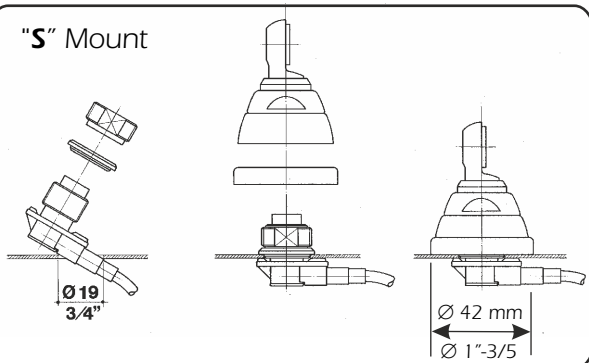
DESCRIPTION

T-VHF is a pre-tuned antenna developed for all professional applications that need robust and discrete sizes products. The radiator is made of loaded fiberglass and supplied with stainless steel spring to grant a good flexibility. It's particularly suitable for the installation on rescue vehicles such as ambulances, local police or 4x4 vehicles used for first aid.

Antenna prearata ideale per tutte quelle applicazioni professionali che richiedono antenne robuste e di ridotte dimensioni. Lo stilo è realizzato in fibra caricata, con molla inox per garantire la flessibilità in caso di contatto con ostacoli. L'utilizzo è particolarmente indicato per tutti quei mezzi come ambulanze, polizia locale, mezzi 4x4, e veicoli speciali di primo intervento

MOUNT INSTALLATIONS

"S" Mount



SPECIFICATIONS

Electrical Data

Type	: 1/4 λ Top Loaded
Frequency Range	: from 163 to 173 MHz
Impedance	: 50 Ω
Radiation	: Omnidirectional
Polarization	: Linear Vertical
Gain	: 0 dB ref. to a $\lambda/4$ whip
Max Power (CW)	: 25 Watts
Standard Mount	: "S", mounting hole \varnothing 19 mm, cable 5m RG 58

Mechanical Data

Materials	: Stainless Steel, Chromed Brass, Fiberglass, Copper
Height (approx.)	: 330 mm
Weight (approx.)	: 400 gr

Installation Manual

 **SIRIO**[®]
antenne HI-QUALITY ANTENNAS MADE IN ITALY