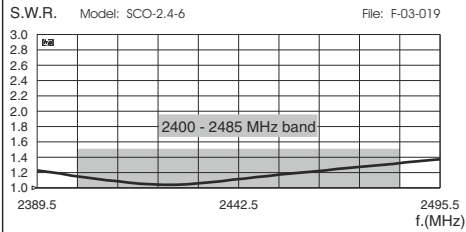


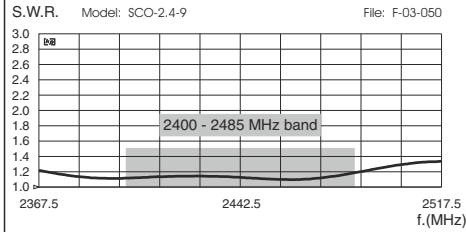
## SCO-2.4-6

TYPICAL S.W.R. RESPONSE

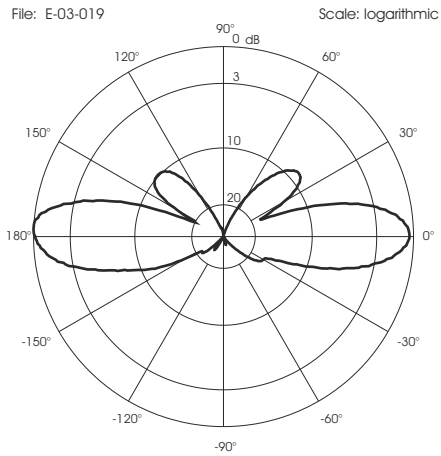


## SCO-2.4-9

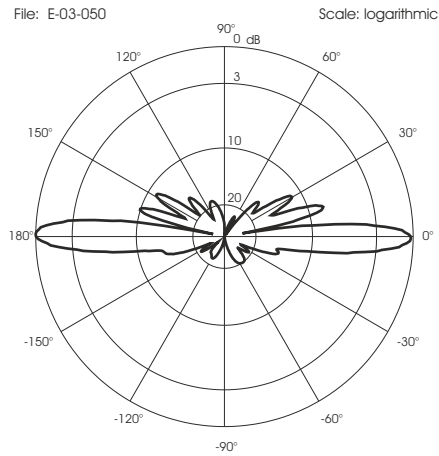
TYPICAL S.W.R. RESPONSE



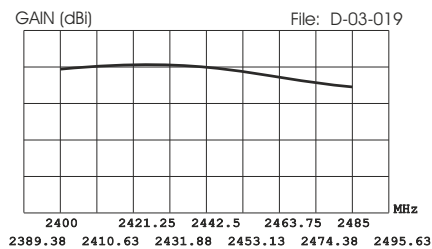
TYPICAL RADIATION PATTERN IN E-plane at 2442.5 MHz



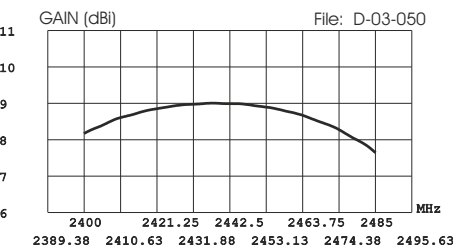
TYPICAL RADIATION PATTERN IN E-PLANE at 2442.5 MHz



TYPICAL GAIN DIAGRAM vs FREQUENCY



TYPICAL GAIN DIAGRAM vs FREQUENCY



## OMNI W-LAN

### SCO-2.4-6

### SCO-2.4-9

UHF Base Station Antenna 2400 - 2485 MHz



SCO-2.4-6  
N-m



SCO-2.4-6  
N-f



SCO-2.4-9  
N-f

## SPECIFICATIONS

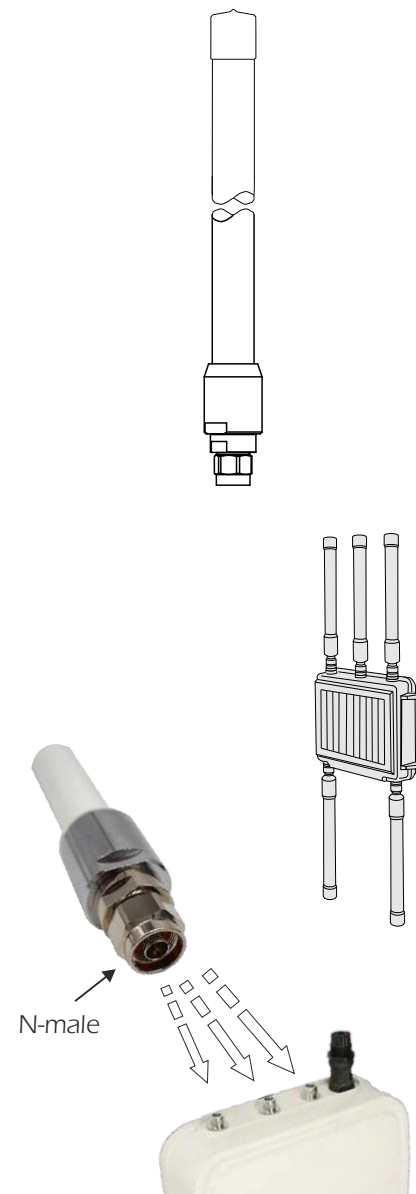
Electrical Data	SCO-2.4-6 N-m	SCO-2.4-6 N-f	SCO-2.4-9 N-f
Type	Colinear Dipole Array		
Frequency Range @ SWR ≤ 1.5	2400-2485 MHz (W-Lan 2.4 System)		
Impedance	50 Ω		
Radiation (H-plane)	360° omnidirectional		
Radiation (E-plane) Beamwidth @ -3 dB	22°	22°	10°
Radiation angle deg.	0°		
Polarization	Linear Vertical		
Gain	6 dBi	6 dBi	9 dBi
Max Power (CW) @ 30° C	20 Watts		
Grounding Protection	All metal parts are DC-grounded, the inner conductor show a DC-short		
Connector	N-male, gold plated pin	N-fem., gold plated pin	N-fem., gold plated pin

### Mechanical Data

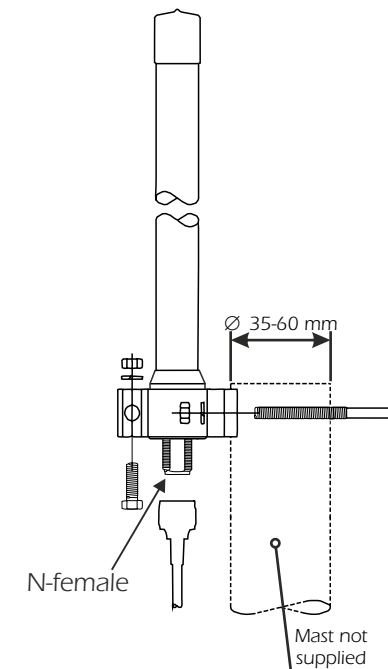
Housing & Radome Material	Fiberglass, Chromed Brass, Stainless Steel		
Bracket & Hardware Material	/	Aluminium, Stainless steel	Aluminium, Stainless steel
Wind Load / Resistance	19 N @ 150 Km/h / 200 Km/h , 124 mi/h		
Wind Surface	0.01 m <sup>2</sup> ; 0.11 ft <sup>2</sup>	0.01 m <sup>2</sup> ; 0.11 ft <sup>2</sup>	0.02 m <sup>2</sup> ; 0.21 ft <sup>2</sup>
Height (approx.)	390 mm; 1.3 ft	385 mm; 1.25ft	630 mm; 2.1 ft
Weight (approx.)	300 g; 0.66 lb	350 g; 0.77 lb	415 g; 0.9 lb
Operating Temperature	-40 °C to +80 °C		
Ingress Protection	IP 66		
Installation type	Direct Router Installation	Mast: Ø 35-60 mm, Ø 1.4-2.4 in with V-bolt	Mast: Ø 35-60 mm, Ø 1.4-2.4 in with V-bolt

## MOUNTING INSTRUCTIONS

### SCO-2.4-6 N-m Direct router installation



### SCO-2.4-6 N-f SCO-2.4-9 N-f



#### Fixing bracket part list

Q.ty	Description
1	Extruded aluminium bracket
1	M6x206 V-bolt
1	M6x20 Exagonal head screw
3	M6 Spring lock washer
3	M6 Hexagonal nut
Materials:	extruded aluminium
Hardware:	stainless steel
Dimensions :	85 x 65 x 25 mm
Weight:	110 g
<b>Re-order code: SA303</b>	

#### SA299 Optional Protection Nut



Factory assembled  
upon request