

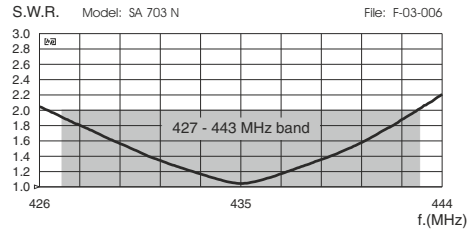
SA 703 N

Fiberglass Hi-Gain UHF Antenna for 70 cm band

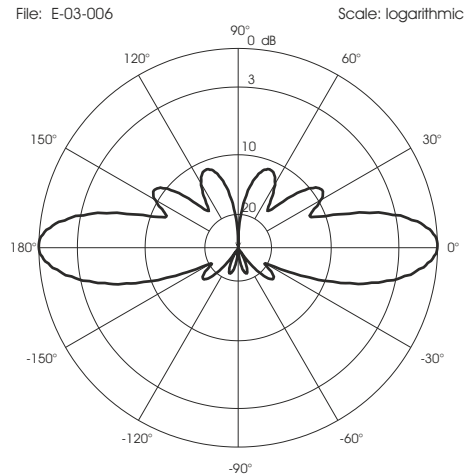


Installation Manual

TYPICAL S.W.R. RESPONSE



TYPICAL RADIATION PATTERN in E-plane at 435 MHz



DESCRIPTION

Ground Plane colinear antenna for base station service specially conceived for the 70cm amateur band. It is made of very good quality materials to get the best robustness and the highest performance. Its whip is of brass inserted in a fiberglass tube for a total protection against the worst climates and its radials are of stainless steel to get the maximum strength. It is supplied with a solid aluminium bracket for an easy and safe installation to the support mast.

SPECIFICATIONS

Electrical Data

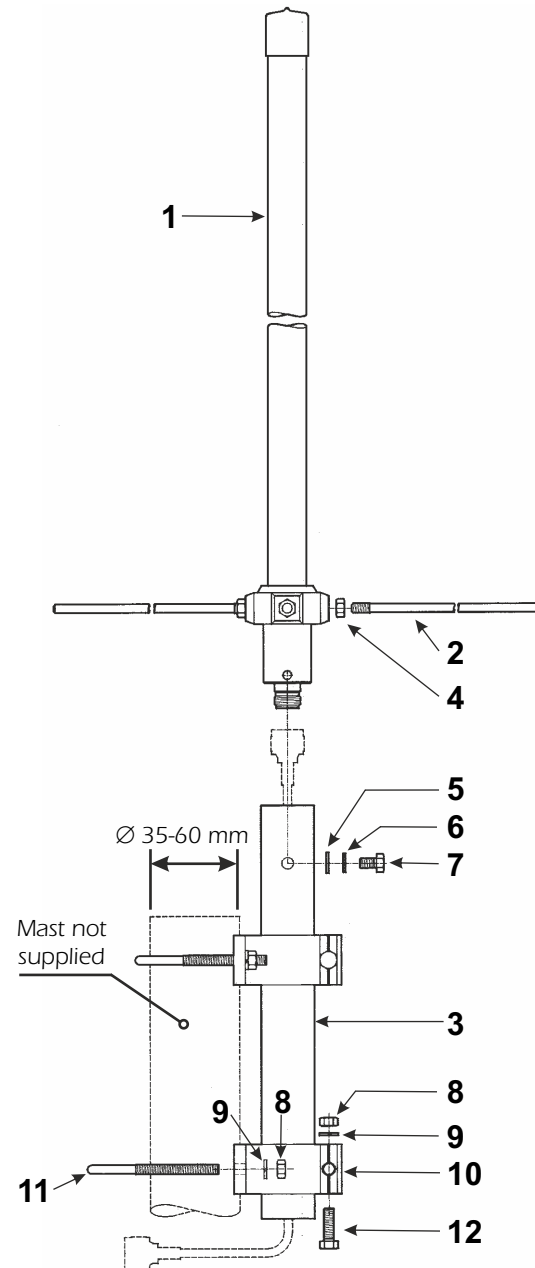
Type	: 3 x 5/8 λ Ground Plane Colinear
Frequency Range	: 427 - 443 MHz @ SWR \leq 2
Impedance	: 50 Ω
Radiation (H-plane)	: 360° Omnidirectional - HCM code = 000ND00
Radiation (E-plane)	: Beamwidth @ -3 dB = 24° - HCM code = 012ND36
Radiation angle deg	: 0°
Polarization	: Linear Vertical
Gain	: 4.6 dBd - 6.75 dBi
Max Power	: 200 Watts
Grounding Protection	: All metal parts are DC-grounded, the inner conductor is coupled capacitively
Connector	: N-female, Gold Plated central pin

Mechanical Data

Materials	: Fiberglass, Stainless Steel, Chromed Brass, Aluminium
Wind Load / Resistance	: 55 N @ 150 Km/h / 180 km/h; 112 mi/h
Wind Surface	: 0.05 m ² ; 0.53 ft ²
Height (approx.)	: 1780 mm, 5.8 ft
Weight (approx.)	: 900 gr, 2 lb
Radial Length (approx.)	: 170 mm, 0.56 ft
Mounting Mast	: \varnothing 35-60 mm, \varnothing 1.4-2.4 in

Available models	Frequency band	Frequency range @ SWR \leq 2
SA 703 N (standard)	Europe 70cm HAM	427 - 443 MHz
SA 703 N (USA)	USA 70cm HAM	437 - 453 MHz

MOUNTING INSTRUCTIONS



Part list

Pos	Q.ty	Description
1	1	Main antenna SA 703 N
2	3	170mm AISI304 radials
3	1	\varnothing 29x32x250mm alu. tube
M6x10 AISI304 Hex.head screw Re-order code: SA038		
Pos	Q.ty	Description
4	3	M6 AISI304 Hexagonal nuts
5	1	M6 AISI304 washer
6	1	M6 AISI304 Spring lock washer
7	1	M6x10 AISI304 Hex.head screw

FT-5 Fixing Bracket Part list

Re-order code: 2519613.00

Pos	Q.ty	Description
8	6	M6 AISI304 Hexagonal nuts
9	6	M6 AISI304 Spring lock washers
10	2	Extruded aluminium brackets
11	2	M6x206 AISI304 V-bolt
12	2	M6x20 AISI304 Hex head screw

Mounting needed tools:

10 mm open key

