

CELL 918 MARINER

Dual-Band Marine Antenna GSM, PCN, DECT, UMTS

DESCRIPTION

Dual-band marine antenna conceived for CELLULAR systems working on GSM 900 & 1800 MHz, DCS 1.9, DECT and UMTS. All metallic components are made of chromium plated brass and stainless steel to improve its strength. It's inserted in a fiberglass tube for a perfect protection against the worst sea climates. It can be supplied with the following fixing mounts: "M-3" adjustable mount of chromium plated brass, "M-8" adjustable mount of white nylon and "M-10" adjustable mount of chromed plated brass.

SPECIFICATIONS

TECHNICAL DATA

Electrical Data

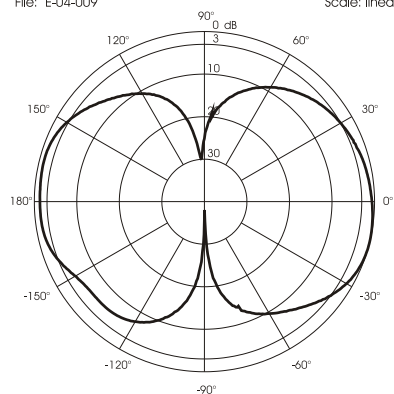
Type : 1/2 λ Dipole
 Frequency Range @ SWR \leq 2.0 : 880-960 MHz (GSM 900) &
 : 1.71-2.17 GHz (GSM 1.8, PCN, DECT, UMTS)
 Impedance : 50 Ω
 Radiation (H-plane) : 360° Omnidirectional
 Radiation (E-plane) : Beamwidth @ -3 dB = 50° both band
 Radiation angle deg. : 0°
 Polarization : Linear Vertical
 Gain : 0 dBd - 2.15 dBi
 Max Power (CW) @ 30°C : 20 Watts
 Standard Mount : "M8-NY"
 Cable Length / Type : 5 m / white RG 58 C/U
 Connector : SMA-male

Mechanical Data

Materials : Chromed Brass, PCB, White fiberglass radome
 Height (approx.) : 420 mm
 Weight (approx.) : 470 gr
 Operating temperature : -20 °C to +80 °C

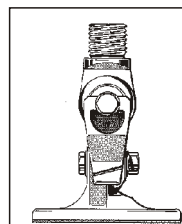
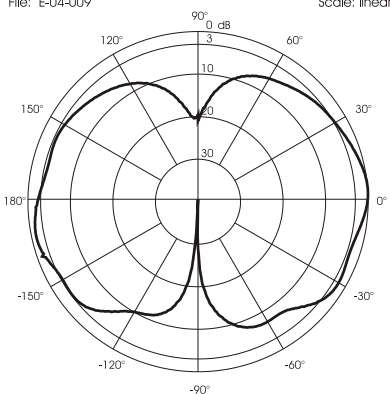
TYPICAL RADIATION PATTERN in E-plane at 880 MHz

File: E-04-009 Scale: linear



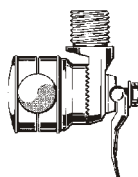
TYPICAL RADIATION PATTERN in E-plane at 1710 MHz

File: E-04-009 Scale: linear



STANDARD MOUNT: M-3 OT Marine Mount

Adjustable marine mount of chromed brass with standard connection 1"x14 threads. It's supplied with rubber washer and stainless steel screws.



OPTIONAL MOUNT M-10 OT Marine Mount

Adjustable marine mount made of chromium plated brass and supplied with standard connection 1"x14 threads. Stainless steel screws, fixing diameter 1".