

# OMNI MULTI-BAND SO-918-2

**Base Station Antennas 868-960 & 1710-2170 MHz**



## SPECIFICATIONS

Electrical Data	SO-918-2 N-m	SO-918-2	SO-918-2 M1
Type	1/2 λ Dipole		
Frequency Range @ SWR ≤ 2.0	868 - 960 MHz (ISM, GSM 900) & 1.71 - 2.17 GHz (GSM 1.8, PCN, DECT, UMTS)		
Impedance	50 Ω		
Radiation (H-plane)	360° omnidirectional		
Radiation (E-plane) Beamwidth @ -3 dB	50°		
Radiation angle deg.	0°		
Polarization	Linear Vertical		
Gain	2.15 dBi		
Max Power (CW) @ 30° C	20 Watts		
Grounding Protection	All metal parts are DC-grounded, the inner conductor shows an open circuit		
Cable Type / Length	/	/	White Low Loss /5m, 16.4ft
Connector	N-male, gold plated pin	N-female, gold plated pin	SMA-male*
<b>Mechanical Data</b>			
Housing & Radome Material	Fiberglass, Chromed Brass, PCB		
Bracket & Hardware Material	/	Aluminium, Stainless steel	Stainless steel M1 bracket
Wind Load / Resistance	11 N @ 150 Km/h / 200 Km/h; 124 mi/h		
Wind Surface	0.011 m <sup>2</sup> ; 0.12 ft <sup>2</sup>		
Height (approx.)	257 mm, 0.84 ft		
Weight (approx.)	350 gr, 0.77 lb		
Operating Temperature	-20 °C to +80 °C		
Ingress protection	IP 66		
Installation type	Direct Router Installation	Mast: Ø 35-60 mm, Ø 1.4-2.4 in with V-bolt	Wall: with mounting screws (not included)

\*other type on request

## MOUNTING INSTRUCTIONS

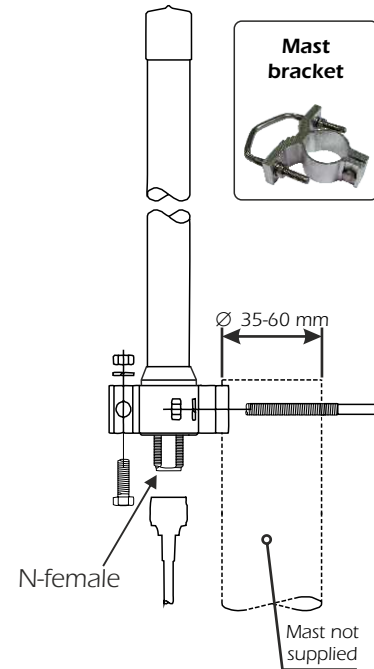


**SIRIO**  
antenne

HI-QUALITY ANTENNAS MADE IN ITALY

## MOUNTING INSTRUCTIONS

### SO-918-2 N-f

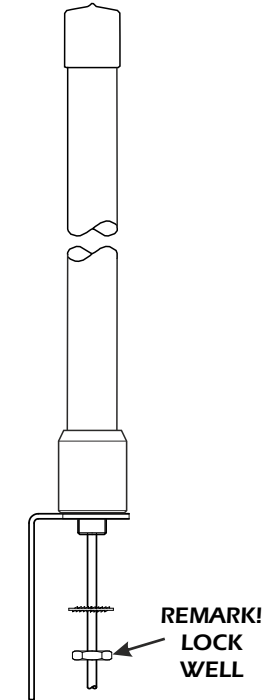


Bracket part list	
Q.ty	Description
1	Extruded aluminium bracket
1	M6x206 V-bolt
1	M6x20 Exagonal head screw
3	M6 Spring lock washer
3	M6 Hexagonal nut
Materials:	extruded aluminium
Hardware:	stainless steel
Dimensions:	85 x 65 x 25 mm
Weight:	110 g
<b>Re-order code: P/N SA303</b>	

**SA299**  
Optional  
Protection  
Nut



### SO-918-2 M1



### M1 fixing bracket:



M1 Fixing bracket	
Materials:	Stainless steel
Dimensions:	38 x 64 x 98 mm
Weight:	120 g
<b>Re-order code: 2503503.00</b>	