

# T-VHF

VHF Mobile Antenna 163-173 MHz



*Installation Manual*

## SPECIFICATIONS

### Electrical Data

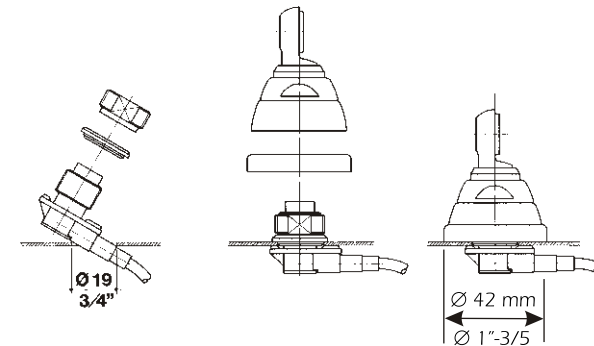
Type :  $1/4 \lambda$  Top Loaded  
Frequency Range : from 163 to 173 MHz  
Impedance :  $50 \Omega$   
Radiation : Omnidirectional  
Polarization : Linear Vertical  
Gain : 0 dB ref. to a  $\lambda/4$  whip  
Max Power (CW) : 25 Watts  
Standard Mount : "S", mounting hole  $\varnothing$  19 mm, cable 5m RG 58

### Mechanical Data

Materials : Stainless Steel, Chromed Brass, Fiberglass, Copper  
Height (approx.) : 330 mm  
Weight (approx.) : 400 gr

## MOUNT INSTALLATIONS

"S" Mount



 **SIRIO**<sup>®</sup>  
antenne HI-QUALITY ANTENNAS MADE IN ITALY

© Copyright SIRIO antenne - Technical Data are subjected to change - Printed in ITALY - Rev. 03/03/2015 - Cod. ID427