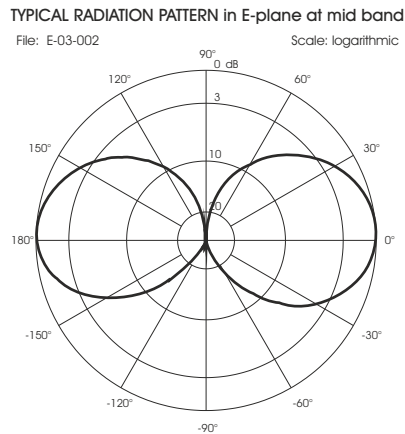
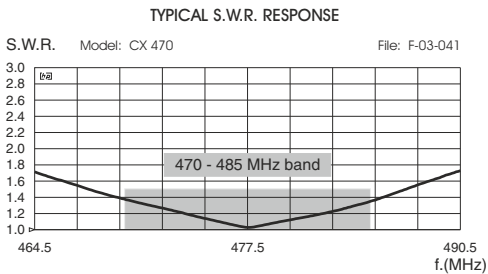
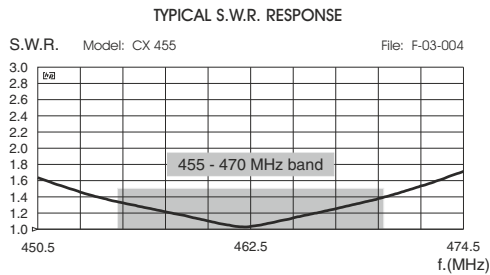
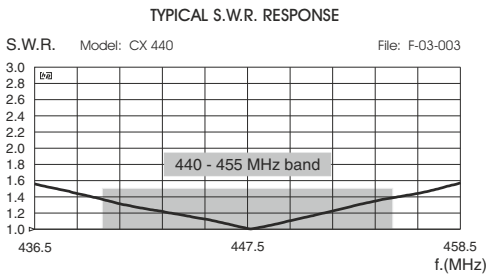
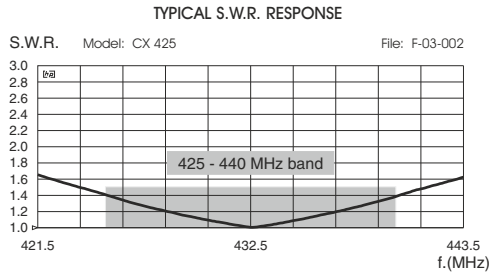
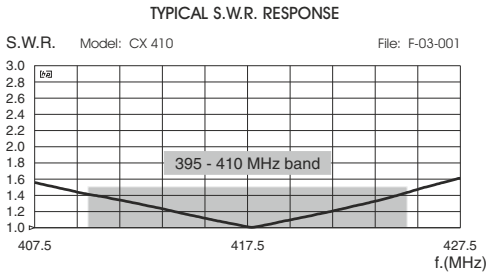
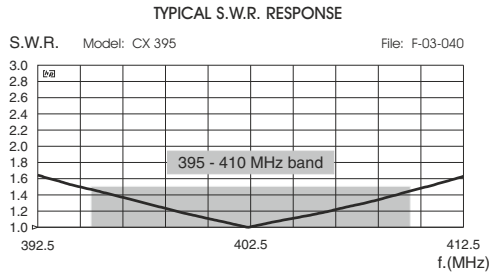
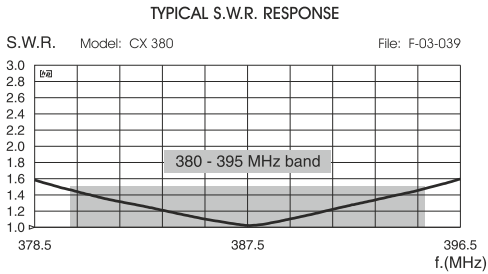


CX 70cm series

UHF Base Station Antennas 380...485 MHz



HI-QUALITY ANTENNAS MADE IN ITALY

SPECIFICATIONS

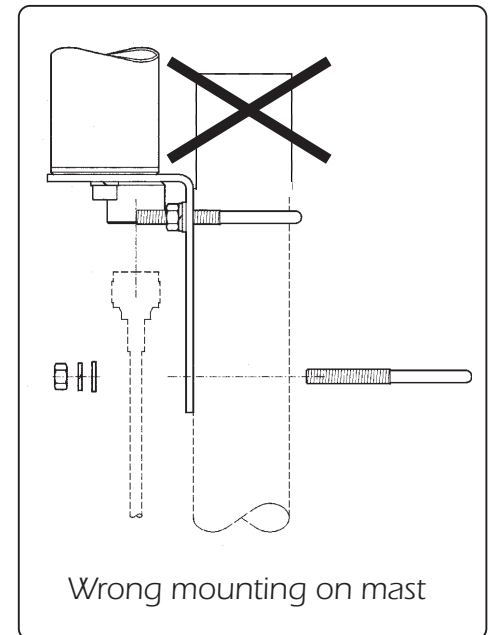
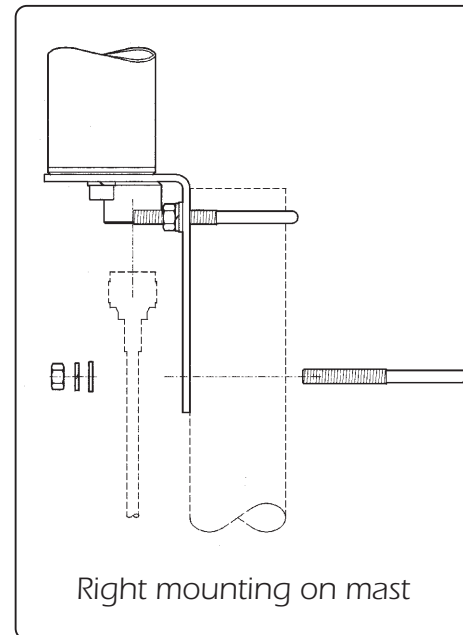
Electrical Data	CX 380	CX 395	CX 410	CX 425	CX 440	CX 455	CX 470
Type	3/4 λ Coaxial J-pole						
Frequency Range @SWR≤1.5	380-395MHz	395-410MHz	410-425MHz	425-440MHz	440-455MHz	455-470MHz	470-485MHz
Impedance	50 Ω						
Radiation (H-plane)	360° Omnidirectional, HCM code = 000ND00						
Radiation (E-plane)	beamwidth @ -3 dB = 60°, HCM code = 030ND00						
Radiation angle deg.	0°						
Polarization	Linear Vertical						
Gain	0 dBd - 2.15 dBi						
Max Power (CW) @ 30°C	200 Watts						
Grounding Protection	All metal parts are DC-grounded, the inner conductor shows a DC short						
Connector	N-female						

Mechanical Data

Materials	Aluminium, Zamak, Steel, Brass						
Wind Load @ 150 km/h	25 N	25 N	25 N	25 N	24 N	23 N	23 N
Wind Resistance	180 Km/h, 112 mi/h						
Wind Surface	0.02 m², 0.21 ft²						
Height (approx.)	665mm;2.2ft	645mm;2.1ft	625mm;2.1ft	605mm;2.0ft	590mm;1.9ft	575mm;1.9ft	558mm;1.8ft
Weight (approx.)	540 gr, 1.2 lb						
Mounting Mast	∅ 35 - 42 mm, 1.4 - 1.6 in						



MOUNTING INSTRUCTIONS



HARDWARE PARTS LIST

Qty	Descriptions
n.2	U-bolts
n.4	M6 flat washer
n.4	M6 lock washer
n.4	M6 hex nut