

HAM VHF UHF
HAM VHF UHF

[®]
SIRIO antenne



2019
EDITION

MARINE



RESCUE



AIR BAND



FIRE RESCUE



METERING

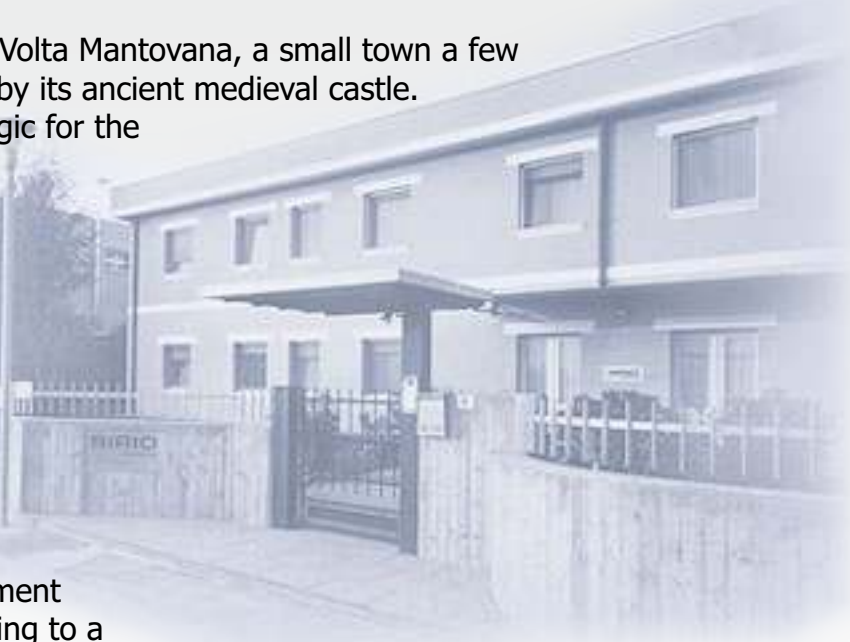


SINCE 1972

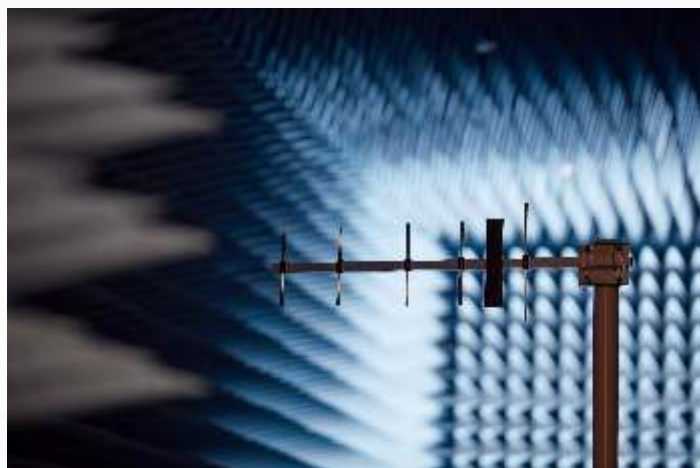
HIGH-TECH ANTENNAS DESIGNED & MANUFACTURED IN ITALY



Sirio Antenne was established in 1972 in Volta Mantovana, a small town a few kilometres from Lake Garda, characterized by its ancient medieval castle. The company's location is logistically strategic for the development of its business and also easily reachable from the nearby Verona airport, which is only 35km away. Here Giuseppe Grazioli began his activity and founded Sirio Antenne. He firmly believed in the future of WIRELESS' communication, at that time used only by the military, and decided to dedicate himself to the development of wider applications for civil use, contributing to a NEW form of communication now in common everyday use.



RF & Microwave lab.



Microwave anechoic chamber.



Main office

QUALITY SYSTEM
SIRIO antenne is a qualified ISO9001:2015 company since February 2004
Certification issued by international company DNV-GL



CE Our products do not require CE marking

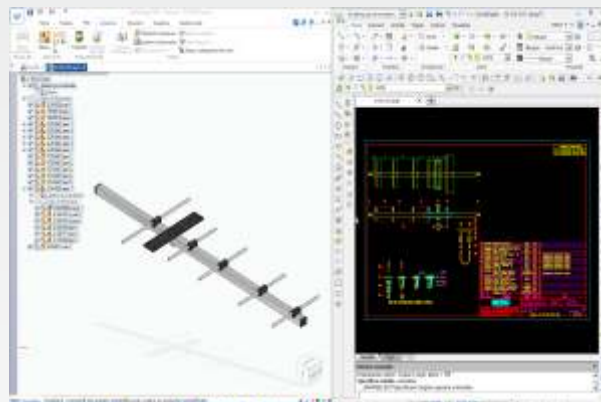
RoHS compliance



RESEARCH & DEVELOPMENT DEPARTMENT



RF & Microwave lab.



CAD 2D & 3D for mechanical design

PRODUCTION DEPT



Mobile antennas production department



Ultrasonic welding machine



CNC winding machine

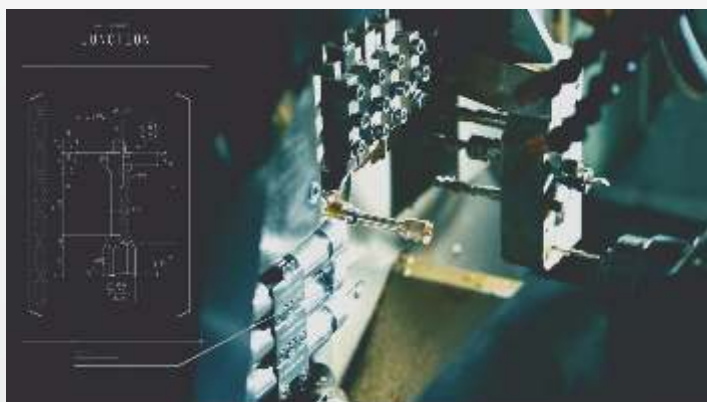


Coaxial cable cutting machines



Final test with network analyzer

MACHINES SHOP



Sliding headstock CNC-lathe machines view



CNC machining centre view



Type	Table A		VHF band (30-300 MHz)												UHF band (300-3000 MHz)						
			30	43	60	88	108	140	175	220	300	380	435	470	500	1300	3000				
	Page	Model	36	50	68	100	135	145	169	194	260	365	400	440	485	868	2000				
OMNIDIRECTIONAL	5, 6	GPA series	[Red bar]																		
	7	TORNADO series	[Red bar]																		
	8	CX 4m series	[Red bar]																		
	9, 10	GP LB series	[Blue bar]																		
	15	GP 3-E	[Red bar]																		
	16	GP 6-E	[Red bar]																		
	17	GPF 21-N	[Red bar]																		
	18	GPF 22-N	[Red bar]																		
	23,24	SPO-145-2	[Blue bar]																		
	23,24	SPO-135-5 series	[Blue bar]																		
	25	CX 2m series	[Blue bar]																		
	19	SO 169 N (new)	[Blue bar]																		
	26	CX 220	[Blue bar]																		
	26	CX 260	[Blue bar]																		
	27	CX 70cm series	[Blue bar]																		
	28	GP 365-470 C	[Red bar]																		
	29	GP 430 LB	[Red bar]																		
	33,34	SPO-380-2	[Blue bar]																		
	33,34	SPO-380-5 series	[Blue bar]																		
	33,34	SPO-380-8 series	[Blue bar]																		
	35	GPF 703-N (new)	[Red bar]																		
	36	SA 703-N	[Blue bar]																		
	36	SA 705-N	[Blue bar]																		
	19	SO 437 N (new)	[Blue bar]																		
	37	SA 270 MN	[Blue bar]																		
	38	HGO 433 & 868	[Blue bar]																		
	39,40	SD 1300 U/N	[Black bar]																		
	39,40	SD 2000 U/N	[Black bar]																		
	39,40	SD 3000 U/N	[Black bar]																		
	DIRECTIONAL	11	SY 50-3	[Red bar]																	
11		SY 50-5	[Red bar]																		
12		SD 68 series	[Blue bar]																		
13,14		SY 68-2 series	[Blue bar]																		
13,14		SY 68-3 series	[Blue bar]																		
12		SD-FM 87-194	[Red bar]																		
21,22		WY 108-3N (new)	[Blue bar]																		
21,22		WY 136-4N (new)	[Blue bar]																		
20		WD 140-N	[Blue bar]																		
20		WY 140-2N	[Blue bar]																		
21,22		WY 140-3N	[Blue bar]																		
21,22		WY 140-4N	[Blue bar]																		
21,22		WY 140-6N	[Blue bar]																		
20		WD 155-N	[Blue bar]																		
20		WY 155-2N	[Blue bar]																		
21,22		WY 155-3N	[Blue bar]																		
21,22		WY 155-4N	[Blue bar]																		
21,22		WY 155-6N	[Blue bar]																		
31,32		WY 300-4N (new)	[Blue bar]																		
30		WD 380-N	[Blue bar]																		
31,32		WY 380-3N	[Blue bar]																		
31,32		WY 380-6N	[Blue bar]																		
31,32	WY 380-10N	[Blue bar]																			
31,32	WY 400-3N	[Blue bar]																			
31,32	WY 400-6N	[Blue bar]																			
31,32	WY 400-10N	[Blue bar]																			

- FIXED Single-band
- FIXED Dual-Band
- FIXED Wide-Band
- TUNABLE Single-Band
- TUNABLE Dual-Band



Table B		VHF band (30-300 MHz)						UHF band (300-3000 MHz)						
		30	55	88	118	140	175	300	380	435	470	500	1000	
Page	Model	43	66	108	135	145		370	400	435	480	550		
41	TURBO low band	█												
42	SMA series	█	█											
43	MGA series	█		█										
43	T-VHF (new)					█								
44	SKA 108-500			█										
44	SKB 108-960			█										
45	HP-S 136-174 (new)					█								
45	HP 140-175					█								
45	HP 2000					█								
45	HP 2000 C					█								
45	ZN 22-C					█								
46	TAIFUN 118-480			█										
46	MD 118-136 aviation				█									
46	MC 380-400								█					
47	SU 350-550 5/8								█					
47	SU 370-490								█					
47	SU 375-480 PL								█					
48	HP-S 380-400 (new)								█					
48	HP 7000									█				
48	HP 7000 C									█				
49	LPA series								█					
50	MAG 45/135		█			█								
50	MAG-S 45/135		█			█								
50	SMA 47/135		█			█								
50	SM 48/140		█			█								
51	SG-CB/VHF	█				█								
51	SDB 270					█					█			
51	SDB 702 (new)					█					█			
52	HP 2070					█					█			
52	HP 2070 R					█					█			
52	HP 2070 H					█					█			

TUNABLE Single-Band	TUNABLE Dual-Band
FIXED Single-band	FIXED Dual-Band

Marine antennas

Table C		VHF band (30-300 MHz)			
		30	156	175	
Page	Model	30	156	163	175
53	SB 1 S		█		
53	SB 2 S		█		
53	SB 3 U		█		
54	CRUISER VHF		█		
54	SB 3 M		█		



SIRIO

antenne

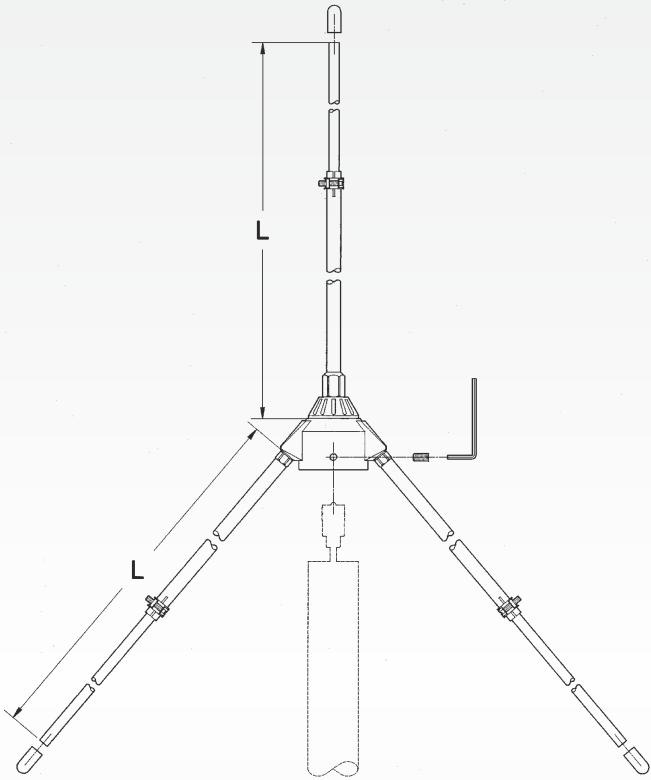
Base antennas

VHF 30-300MHz

GPA SERIES

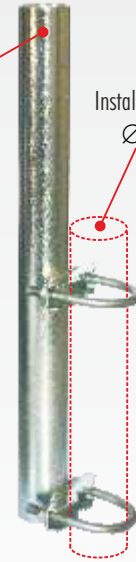
Ground Plane Aluminium 27...230 MHz

Rapid installation on the mast.
Easy tuning acting on L



Top Size: \varnothing 38 mm
for antenna fitting

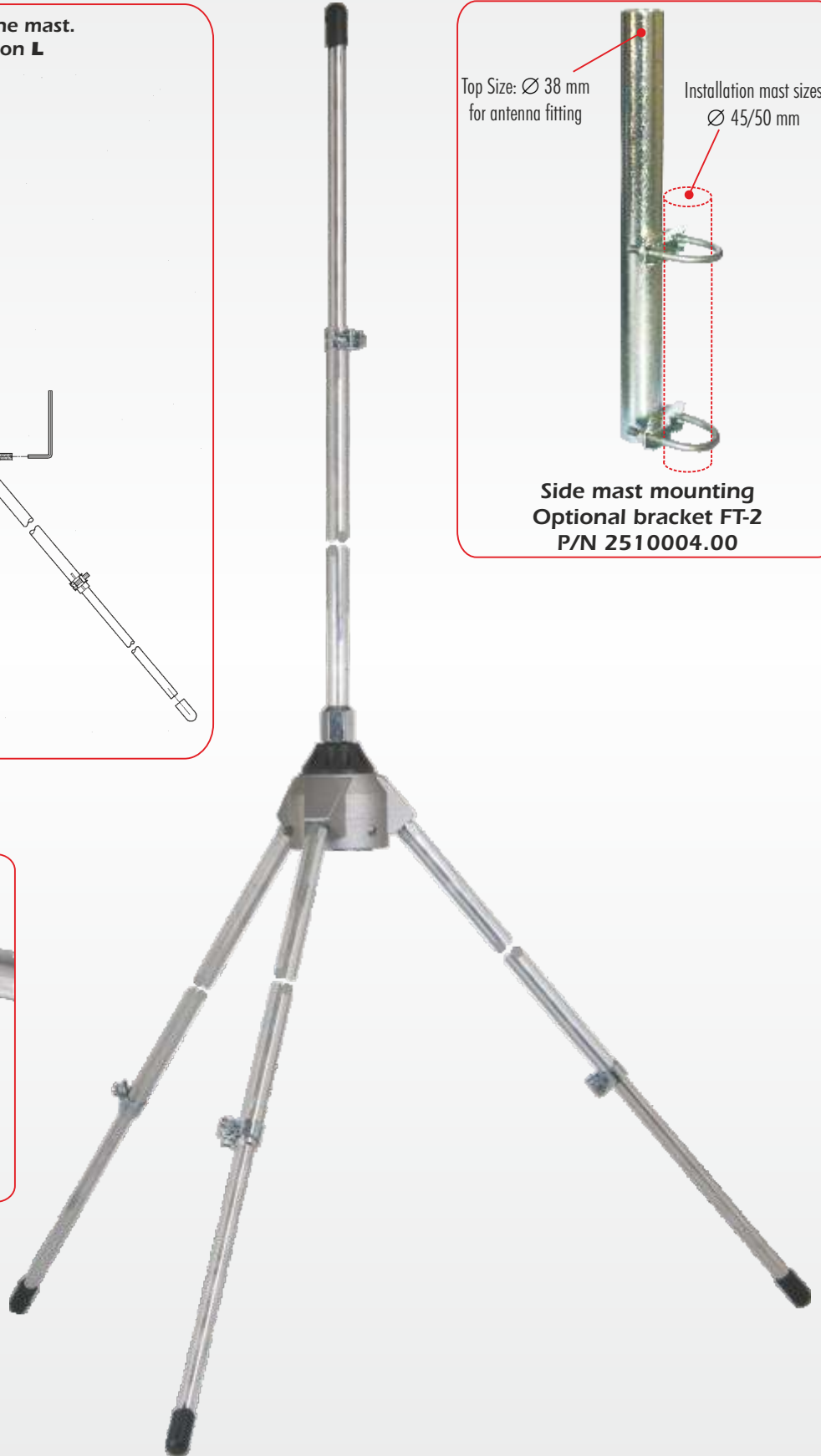
Installation mast sizes
 \varnothing 45/50 mm



Side mast mounting
Optional bracket FT-2
P/N 2510004.00



Strong die-cast base, bottom view
UHF-female connector



SINCE 1972



GPA SERIES

Ground Plane Aluminium 27...230 MHz

Features:

- # Base station antenna, Mono-band
- # Unity-gain, Omnidirectional
- # Tunable by whip length adjust
- # Made of aluminium alloy 6063 T-832
- # Side mast mounting allowed by optional bracket FT-2 code 2510004.00

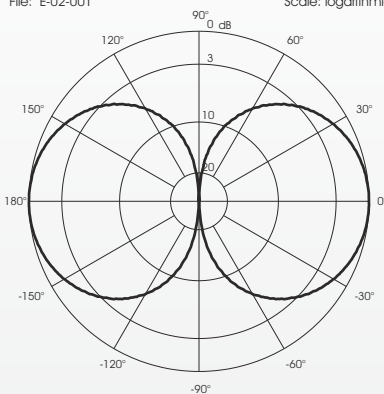
Electrical Data	GPA 27-45	GPA 40-70	GPA 66-108	GPA 108-136	GPA 135-175	GPA 170-230
Type	1/4 λ Ground Plane					
Frequency Range tunable	27...45 MHz	40...70 MHz	66...108 MHz	108...136 MHz	135...175 MHz	170...230 MHz
Impedance	50 Ω					
Radiation (H-plane)	360° Omnidirectional					
Radiation (E-plane)	Beamwidth @ -3dB = 86°					
Radiation angle deg.	0°					
Polarization	Linear Vertical					
Gain	0 dBd - 2.15 dBi					
SWR @ res. freq.	≤ 1.2 @ 27 MHz	≤ 1.2 @ 40 MHz	≤ 1.2 @ 66 MHz	≤ 1.2 @ 108 MHz	≤ 1.2 @ 135 MHz	≤ 1.2 @ 170 MHz
Bandwidth @ SWR ≤ 2	≥ 2.5 MHz @ 27 MHz	≥ 3.7 MHz @ 40 MHz	≥ 6.5 MHz @ 66 MHz	≥ 12.2 MHz @ 108 MHz	≥ 13 MHz @ 135 MHz	≥ 19 MHz @ 170 MHz
Max Power (CW) @ 30°C	1000 Watts	1000 Watts	500 Watts	500 Watts	300 Watts	300 Watts
Connector	UHF-female					

Mechanical Data

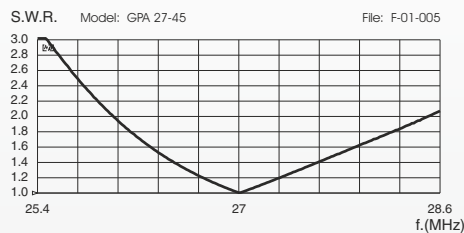
Materials	Aluminium, Chromed Brass, Nylon					
Wind Load @ 150 km/h	126 N	85 N	54 N	35 N	29 N	24 N
Wind Resistance	130 Km/h; 80 mi/h	150 Km/h; 93 mi/h	150 Km/h; 93 mi/h	150 Km/h; 93 mi/h	180 Km/h; 112 mi/h	180 Km/h; 112 mi/h
Wind Surface	0.11 m ² ; 1.12 ft ²	0.07 m ² ; 0.75 ft ²	0.05 m ² ; 0.54 ft ²	0.03 m ² ; 0.32 ft ²	0.03 m ² ; 0.32 ft ²	0.02 m ² ; 0.21 ft ²
Height (approx.)	4730 mm; 15.5 ft	3200 mm; 10.5 ft	1930 mm; 6.3 ft	1185 mm; 3.9 ft	960 mm; 3.1 ft	760 mm; 2.5 ft
Weight (approx.)	1250 gr; 2.8 lb	935 gr; 2.0 lb	700 gr; 1.5 lb	565 gr; 1.2 lb	520 gr; 1.1 lb	480 gr; 1.0 lb
Radial Length (approx.)	2680 mm; 8.8 ft	1800 mm; 5.9 ft	1080 mm; 3.5 ft	650 mm; 2.1 ft	520 mm; 1.7 ft	410 mm; 1.3 ft
Mounting Mast	\varnothing 35 - 40 mm; \varnothing 1.4 - 1.6 in					
P/N	2100801.00	2101401.00	2101501.00	2108501.00	2101601.00	2105001.00

GPA series

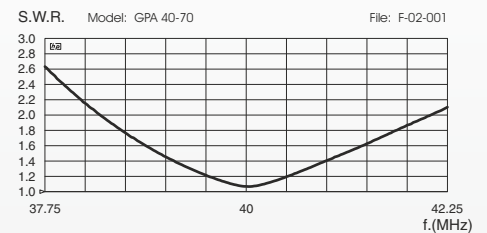
TYPICAL RADIATION PATTERN in E-plane at mid band
File: E-02-001 Scale: logarithmic



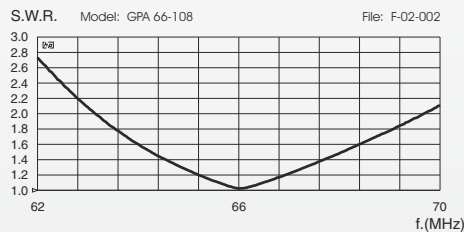
TYPICAL S.W.R. RESPONSE



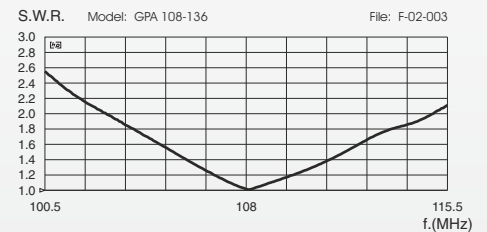
TYPICAL S.W.R. RESPONSE



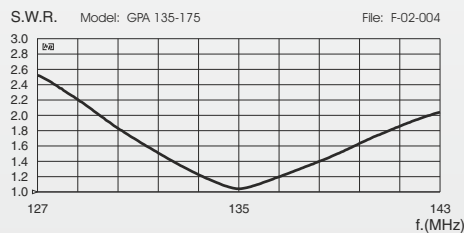
TYPICAL S.W.R. RESPONSE



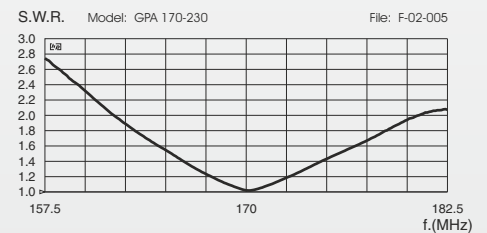
TYPICAL S.W.R. RESPONSE



TYPICAL S.W.R. RESPONSE



TYPICAL S.W.R. RESPONSE





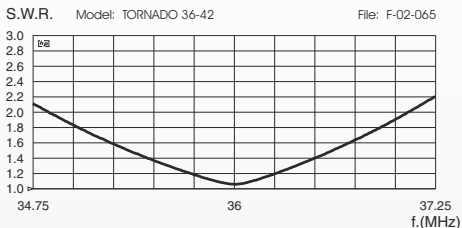
TORNADO 36-60 SERIES

Features:

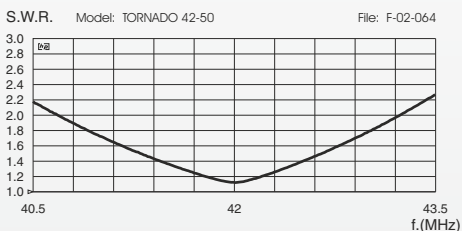
- # Base station antenna, Mono-band
- # Low-gain, Omnidirectional
- # Tunable by whip lenght adjust
- # Made of aluminium alloy 6063 T-832

Electrical Data	TORNADO 36-42	TORNADO 42-50	TORNADO 50-60
Type	5/8 λ Ground Plane		
Frequency Range	tunable 36...42 MHz	tunable 42...50 MHz	tunable 50...60 MHz
Impedance	50 Ω		
Radiation (H-plane)	360° Omnidirectional		
Polarization	Linear Vertical		
Gain	1.2 dBd - 3.35 dBi		
SWR @ res. freq.	≤ 1.2 @ 36 MHz	≤ 1.2 @ 42 MHz	≤ 1.2 @ 50 MHz
Bandwidth @ SWR ≤ 2	≥ 2.2 MHz @ 36 MHz	≥ 2.4 MHz @ 42 MHz	≥ 3.1 MHz @ 50 MHz
Max Power (CW) @30°C	1000 Watts		
Connector	UHF-female		
Mechanical Data			
Materials	Aluminium, Nylon, Brass		
Wind Load @ 150 km/h	178 N	167 N	138 N
Wind Resistance	150 Km/h; 93 mi/h		
Wind Surface	0.15 m ² ; 1.6 ft ²	0.14 m ² ; 1.5 ft ²	0.12 m ² ; 1.3 ft ²
Height (approx.)	5650 mm; 18.5 ft	5010 mm; 16.4 ft	4100 mm; 13.5 ft
Weight (approx.)	2100 gr; 4.6 lb		
Radial Length (approx.)	1170 mm; 3.8 ft		
Mounting Mast	∅ 35 - 42 mm; ∅ 1.4 - 1.65 in		
P/N	2108601.00	2107801.00	2108901.00

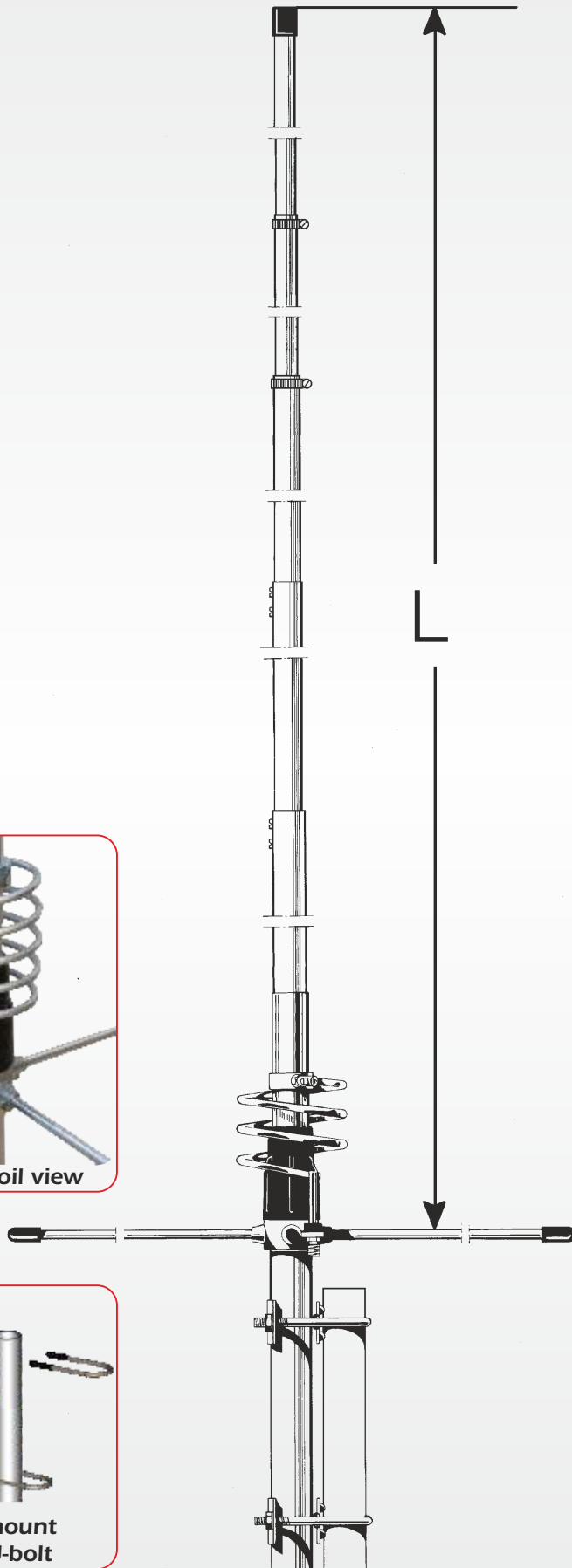
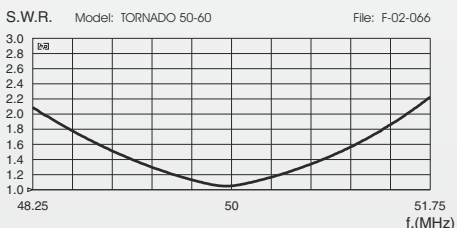
TYPICAL S.W.R. RESPONSE



TYPICAL S.W.R. RESPONSE



TYPICAL S.W.R. RESPONSE





CX 4 M SERIES

Coaxial J-pole 68...88 MHz

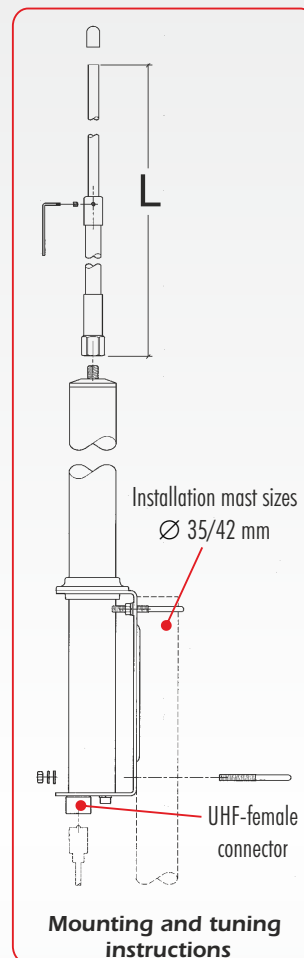
Features:

- # Base station antenna, Low-gain, Omnidirectional, Mono-band
- # Tunable by whip lenght adjust
- # Protection from static discharges DC-Ground
- # Made of aluminium alloy 6063 T-832
- # Available N-f connction for min. qty 100 pcs

Electrical Data	CX 4-68	CX 4-73	CX 4-78	CX 4-83
Type	3/4 λ Coaxial J/pole			
Frequency Range	tunable 68...73 MHz	tunable 73...78 MHz	tunable 78...83 MHz	tunable 83...88 MHz
Impedance	50 Ω			
Radiation (H-plane)	360° Omnidirectional			
Radiation (E-plane)	Beamwidth @ -3 dB = 60°			
Radiation angle deg.	3°			
Polarization	Linear Vertical			
Gain	2 dBd - 4.15 dBi			
SWR @ res. freq.	≤ 1.2 @ 68 MHz	≤ 1.2 @ 73 MHz	≤ 1.2 @ 78 MHz	≤ 1.2 @ 83 MHz
Bandwidth @ SWR ≤ 1.5	≥ 1.7 MHz @ 68 MHz	≥ 2.0 MHz @ 73 MHz	≥ 2.5 MHz @ 78 MHz	≥ 2.5 MHz @ 83 MHz
Max Power (CW) @ 30°C	500 Watts			
Grounding Protection	All metal parts are DC-grounded, the inner conductor shows a DC short			
Connector	UHF-female			

Mechanical Data

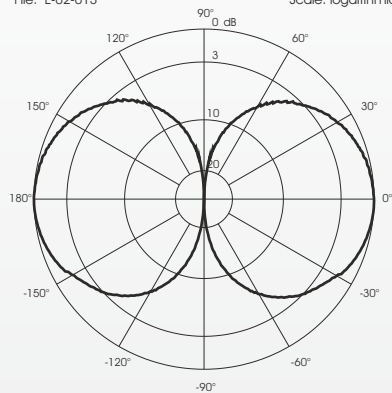
Materials	Aluminium, Nylon, Zinc Plated Steel, Brass			
Wind Load @ 150 km/h	97 N	95 N	91 N	90 N
Wind Resistance	150 Km/h; 93 mi/h			
Wind Surface	0.08 m ² ; 0.85 ft ²			
Height (approx.)	3325 mm; 10.9 ft	3090 mm; 10.1 ft	2900 mm; 9.5 ft	2720 mm; 8.9 ft
Weight (approx.)	2000 gr; 4.4 lb	1920 gr; 4.2 lb	1850 gr; 4.1 lb	1800 gr; 4.0 lb
Mounting Mast	∅ 35 - 42 mm; ∅ 1.4 - 1.65 in			
P/N	2104301.00	2104401.00	2104501.00	2104601.00



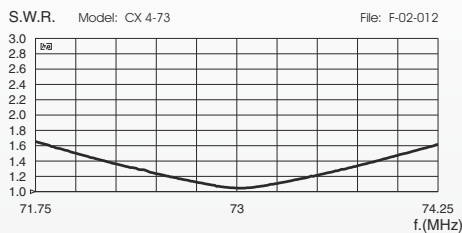
CX 4m series

TYPICAL RADIATION PATTERN in E-plane at mid band

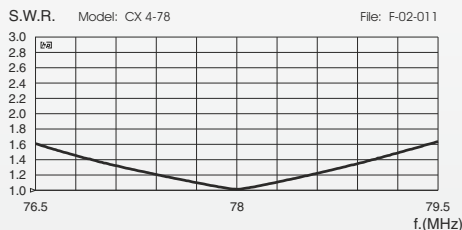
File: E-02-013 Scale: logarithmic



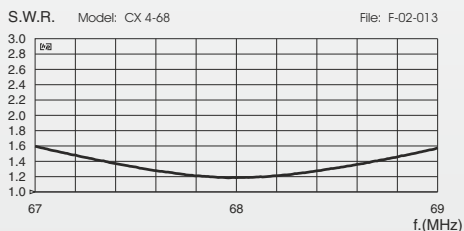
TYPICAL S.W.R. RESPONSE



TYPICAL S.W.R. RESPONSE



TYPICAL S.W.R. RESPONSE



TYPICAL S.W.R. RESPONSE



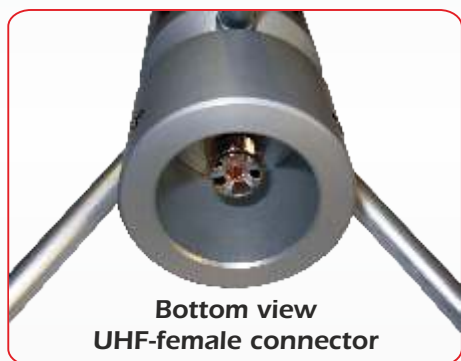


GP-LB SERIES

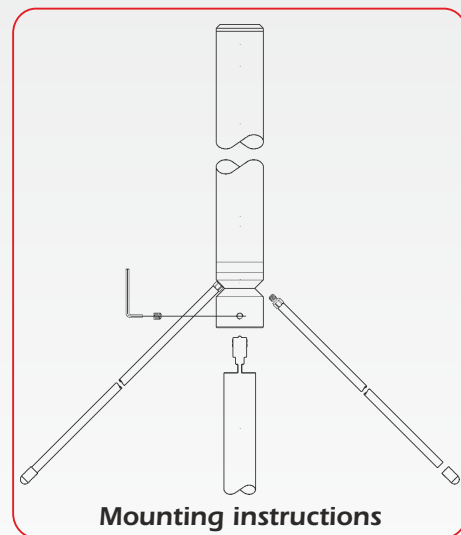
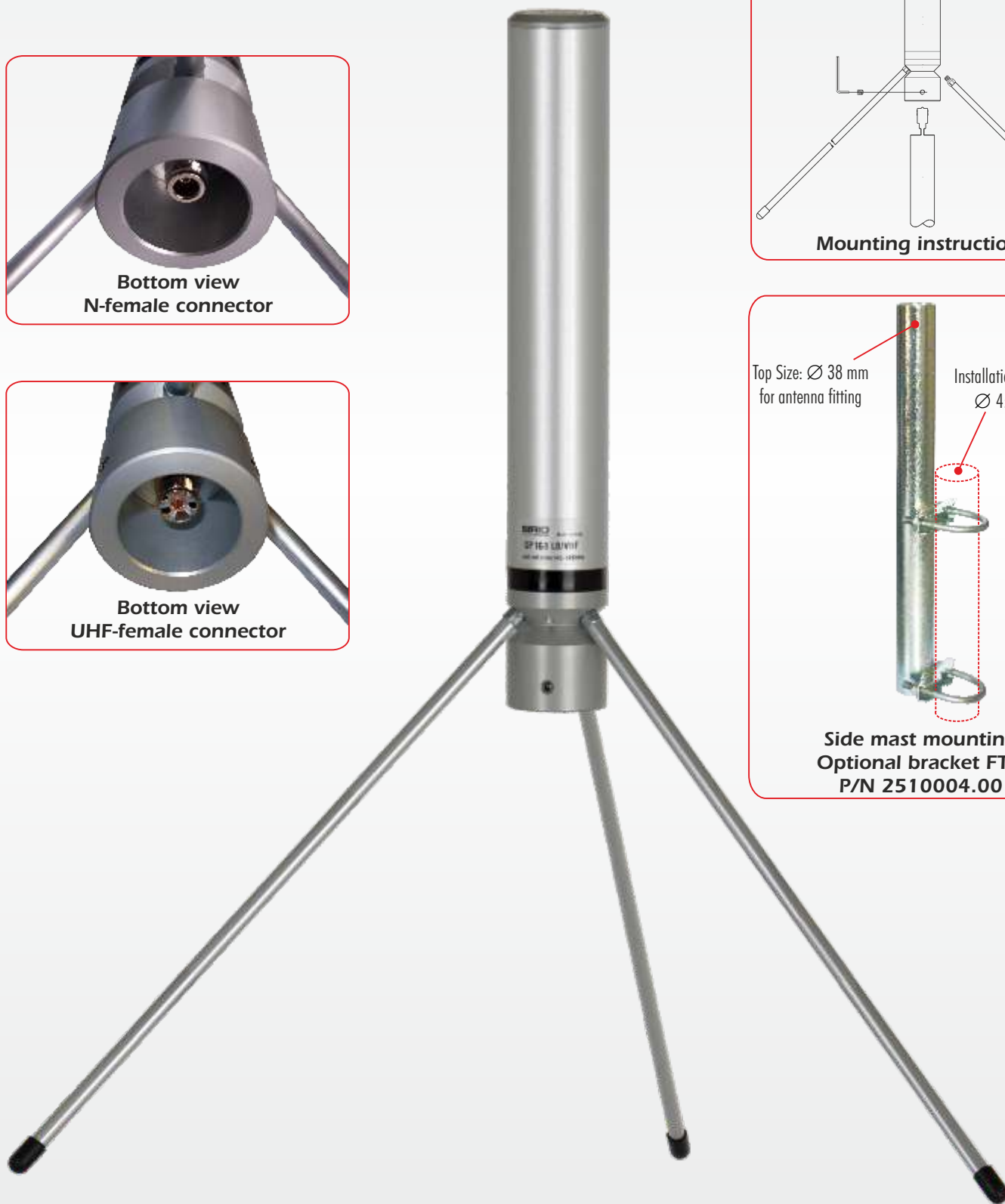
Ground Plane Large Band 66-175 MHz



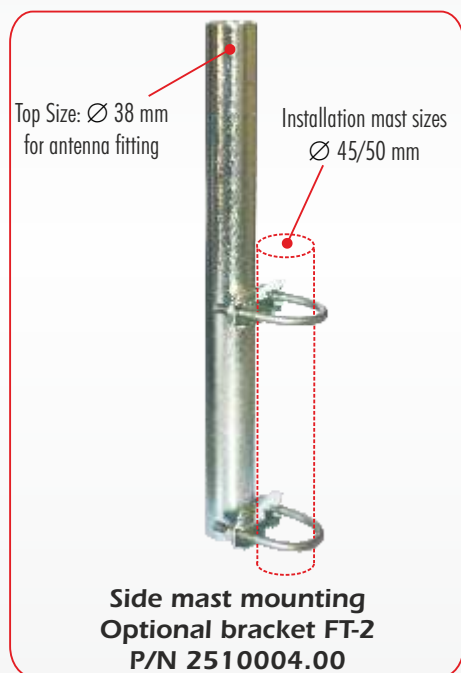
Bottom view
N-female connector



Bottom view
UHF-female connector



Mounting instructions



Side mast mounting
Optional bracket FT-2
P/N 2510004.00



GP-LB SERIES

Ground Plane Large Band 66-175 MHz

Features:

- # Base station antenna, Wide-band
- # Unity-gain, Omnidirectional
- # Protection from static discharges DC-Ground
- # Made of anodized aluminium alloy
- # Protection against the worst weather conditions
- # Radials locking system "screw-on", Stainless steel hardware
- # Side mast mounting allowed by optional bracket FT-2 code 2510004.00

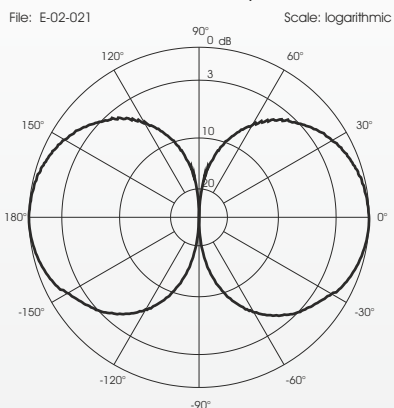
Electrical Data	GP 66-78 LB	GP 76-88 LB	GP 87-108 LB	GP 108-136 LB	GP 160 LB
Type	1/4 λ Ground Plane Large Band				
Frequency Range	66-78MHz @ SWR ≤ 2	76-88MHz @ SWR ≤ 2	87-108 MHz @ SWR ≤ 2.5	RX 108-136 MHz TX 118-136MHz@SWR≤ 2	145-175MHz @ SWR ≤ 2
Impedance	50 Ω				
Radiation (H-plane)	360° Omnidirectional				
Radiation (E-plane)	Beamwidth @ -3dB = 78°				
Radiation angle deg.	0°				
Polarization	Linear Vertical				
Gain	0 dBd - 2.15 dBi				
Max Power (CW) @ 30°C	1000 Watts				
Grounding Protection	All metal parts are DC-grounded, the inner conductor shows a DC short				
Connector	UHF-female with gold plated central pin or N-female with gold plated central pin and PTFE insulator				

Mechanical Data

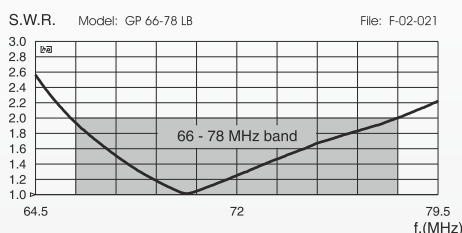
Materials	Anodized Aluminium, Nylon, Stainless Steel				
Wind Load at 150 km/h	98 N	85 N	67 N	56 N	43 N
Wind Resistance	130 Km/h; 81 mi/h	130 Km/h; 81 mi/h	160 Km/h; 100 mi/h	160 Km/h; 100 mi/h	160 Km/h; 100 mi/h
Wind Surface	0.09 m ² ; 0.96 ft ²	0.07 m ² ; 0.75 ft ²	0.05 m ² ; 0.53 ft ²	0.05 m ² ; 0.53 ft ²	0.04 m ² ; 0.42 ft ²
Height (approx.)	1640 mm; 5.4 ft	1400 mm; 4.6 ft	1190 mm; 3.9 ft	890 mm; 2.9 ft	700 mm; 2.3 ft
Weight (approx.)	1930 gr; 4.2 lb	1710 gr; 3.8 lb	1500 gr; 3.3 lb	1310 gr; 2.9 lb	1150 gr; 2.5 lb
Radial Length (approx.)	1160 mm; 3.8 ft	1030 mm; 3.4 ft	900 mm; 3.0 ft	655 mm; 2.1 ft	520 mm; 1.7 ft
Mounting Mast	∅ 36 - 40 mm; ∅ 1.4 - 1.57 in				
P/N with "UHF" connector	2105601.00	2105701.00	2105801.00	2101901.00	2102001.00
P/N with "N" connector	2105601.00/N	2105701.00/N	2105801.00/N	2101901.00/N	2102001.00/N

GP-LB series

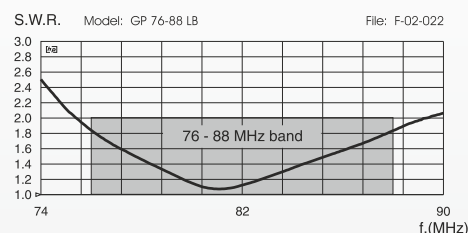
TYPICAL RADIATION PATTERN in E-plane at mid band



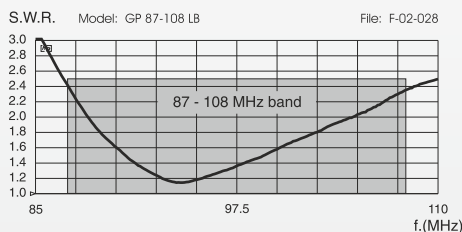
TYPICAL S.W.R. RESPONSE



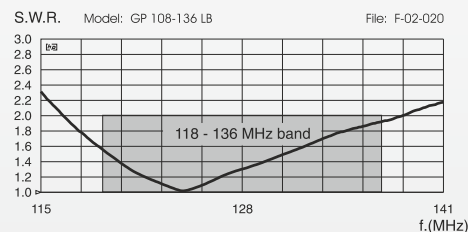
TYPICAL S.W.R. RESPONSE



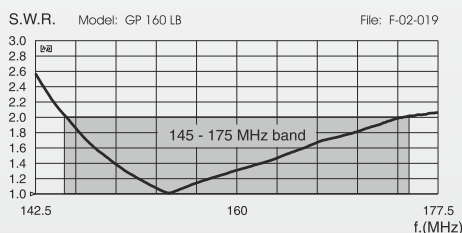
TYPICAL S.W.R. RESPONSE



TYPICAL S.W.R. RESPONSE



TYPICAL S.W.R. RESPONSE





SY 50-3

SY 50-5

Sirio Yagi 6m band

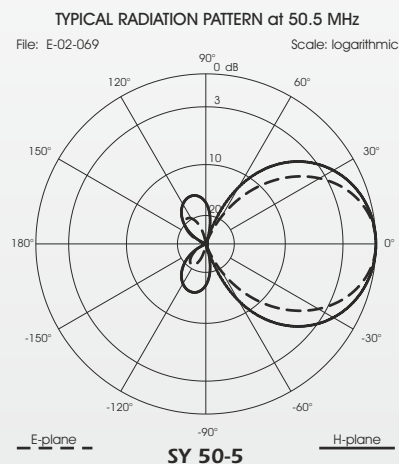
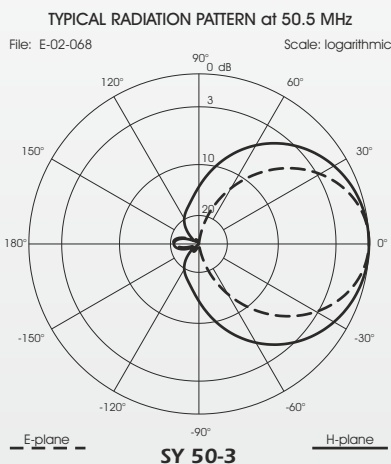
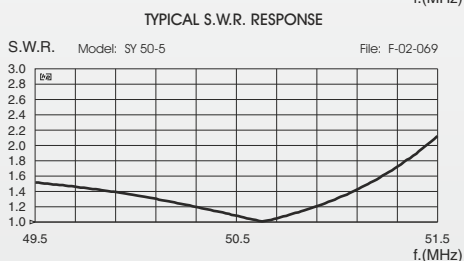
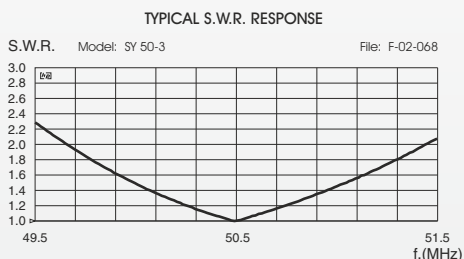
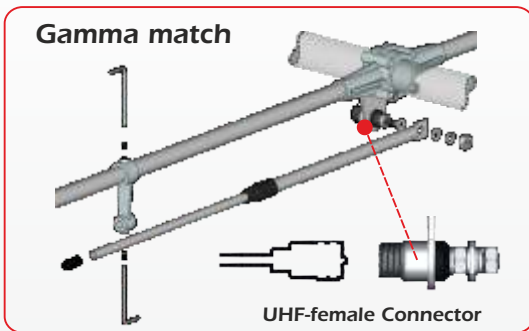
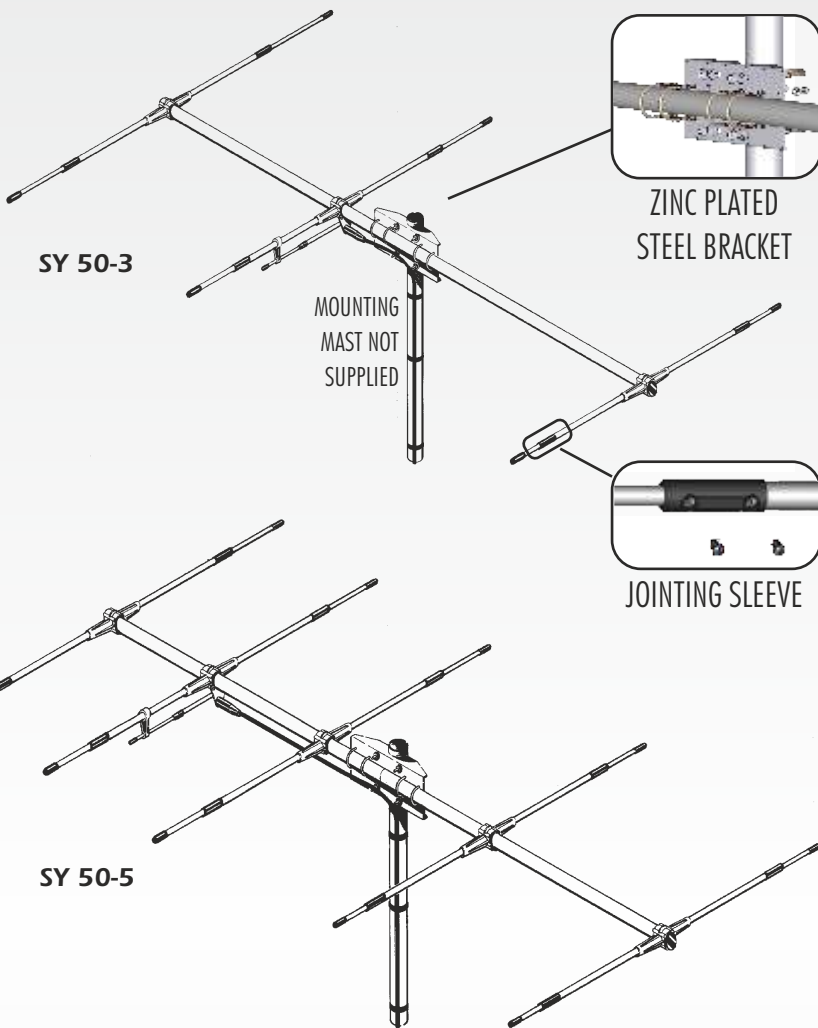
Features:

- # Directional base station antenna
- # High gain, Mono-band
- # Tunable from 50 to 54 MHz for 6m band applications
- # Made of aluminium alloy 6063 T-832
- # UHF female connector
- # Gamma match feed system

Electrical Data	SY 50-3	SY 50-5
Type	0.34 λ 3 Elements Yagi Antenna	0.66 λ 5 Elements Yagi Antenna
Frequency Range	50 ... 54 MHz tunable	
Impedance	50 Ω	
Radiation (H-plane)	Beamwidth @ -3 dB = 93°	Beamwidth @ -3 dB = 72°
Radiation (E-plane)	Beamwidth @ -3 dB = 60°	Beamwidth @ -3 dB = 54°
Front to back ratio	20 dB typical	25 dB typical
Polarization	Linear Horizontal	
Gain	6.4 dBd - 8.5 dBi	8.4 dBd - 10.5 dBi
Max Power (CW) @30°C	600 Watts	
Grounding Protection	All metal parts are DC-grounded, the inner conductor is coupled capacitively	
Connector	UHF-female	

Mechanical Data

Materials	Aluminium, Die-cast zamak, Zinc plated steel, Chromed Brass	
Wind Load 150 km/h	113 N	188 N
Wind Resistance	120 Km/h, 75 mi/h	120 Km/h, 75 mi/h
Wind Surface	0.09 m ² , 0.69 ft ²	0.15 m ² , 1.6 ft ²
Dimensions (approx.)	3000x2060x100 mm 9.8 x 6.8 x 0.3 ft	3038x4030x100 mm 10 x 13.2 x 0.3 ft
Turnig radius (approx.)	1900 mm, 6.2 ft	2700 mm, 8.9 ft
Weight (approx.)	4000 gr, 8.8 lb	6100 gr, 13.5 lb
Mounting Mast	∅ 35-50, ∅ 1.4 - 2.0 in	
Boom/Element diameter	∅ 12-16 mm, 0.5-0.6 in / ∅ 33 mm, 1.3 in	
P/N	2106901.00	2106901.00/5





SD 68 SERIE

SD-FM 87-194

Sirio Dipole 68-88 MHz, 87...194 MHz

Features:

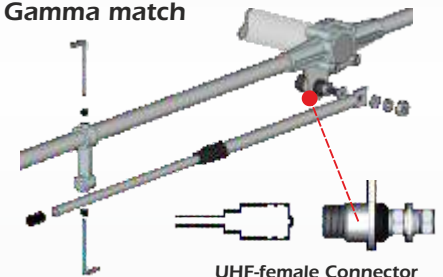
- # Directional base station antenna, Mono-band
- # SD68, SD78: frequency range 66-88 MHz for Low VHF applications. No tuning required
- SD-FM 87-194: tunable from 87 to 194 MHz for FM applications
- # Made of aluminium alloy 6063 T-832
- # Steel bracket placed in the rear position for the best performance in vertical and horizontal polarization
- # UHF female connector
- # Vertical stacked array for higher gain
- # Gamma match feed system

Electrical Data	SD 68	SD 78	SD-FM 87-194
Type	Dipole		
Frequency Range	68 - 78 MHz @ SWR ≤ 1.5	78 - 88 MHz @ SWR ≤ 1.5	tunable 87...194 MHz
Impedance	50 Ω		
Radiation (H-plane)	beamwidth @ -3 dB = 240° (vertical polarization only)		
Radiation (E-plane)	beamwidth @ -3 dB = 80° (vertical polarization only)		
Front to back ratio	≥ 4 dB (vertical polarization only)		
Polarization	Linear Vertical or Horizontal		
Gain	1.85 dBd - 4 dBi (vertical polarization only)		
SWR @ res. freq.	/	/	≤ 1.2* @ 87 MHz
Bandwidth @ SWR ≤ 1.5	/	/	≥ 14.5*MHz @ 87MHz
Max Power (CW) @30°C	350 Watts		300 Watts
Grounding Protection	All metal parts are DC-grounded, the inner conductor is coupled capacitively		
Connector	UHF-female		
Mechanical Data			
Materials	Aluminium, Die-cast zamak, zinc plated steel, Chromed Brass		
Wind Load @ 150 km/h	113 N	108 N	99 N
Wind Resistance	160 Km/h; 100 mi/h	160 Km/h; 100 mi/h	160 Km/h; 100 mi/h
Wind Surface	0.087 m ² ; 0.93 ft ²	0.084 m ² ; 0.89 ft ²	0.080 m ² ; 0.85 ft ²
Dimensions W x H (approx.)	1065x1912mm; 3.5x6.3ft	1065x1675mm; 3.5x5.5ft	1030x1600mm; 3.4x5.2ft
Turning radius (approx.)	1065* mm; 3.5* ft	1065* mm; 3.5* ft	990* mm; 3.2* ft
Weight (approx.)	2020 gr; 4.4 lb	1980 gr; 4.35 lb	1850 gr; 4.0 lb
Operating temperature	-40° C to +80° C		
Mounting Mast	∅ 35 - 52 mm; ∅ 1.37 - 2.0 in		
Boom / Element Diameter	∅ 33 mm; 1.3 in / ∅ 16 mm; 0.6 in		
P/N	2108801/68	2108801/78	2108801.00

* Valid data only for vertical polarization



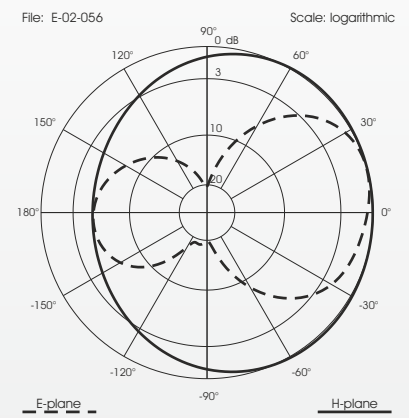
Gamma match



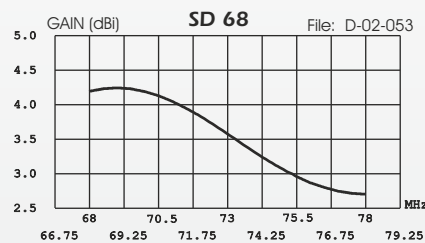
UHF-female Connector

SD series

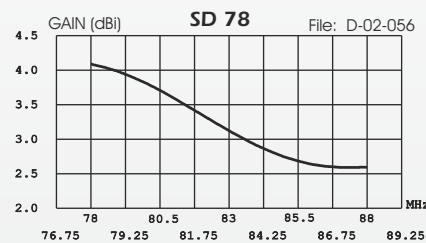
TYPICAL RADIATION PATTERN at 83 MHz



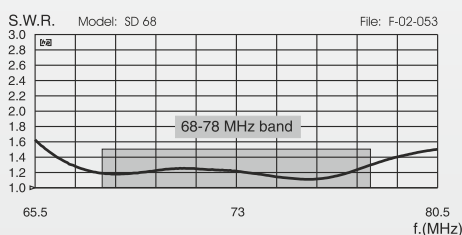
TYPICAL GAIN DIAGRAM vs FREQUENCY



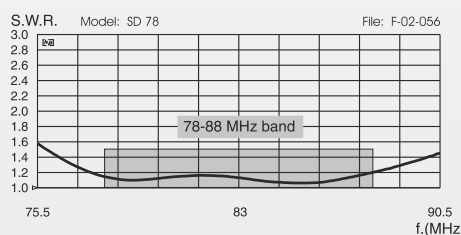
TYPICAL GAIN DIAGRAM vs FREQUENCY



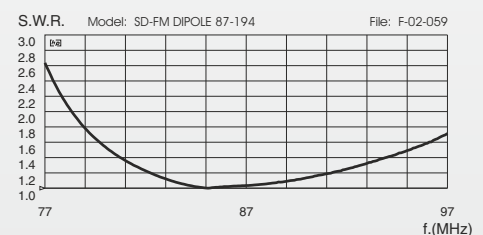
TYPICAL S.W.R. RESPONSE



TYPICAL S.W.R. RESPONSE



TYPICAL S.W.R. RESPONSE



SINCE 1972

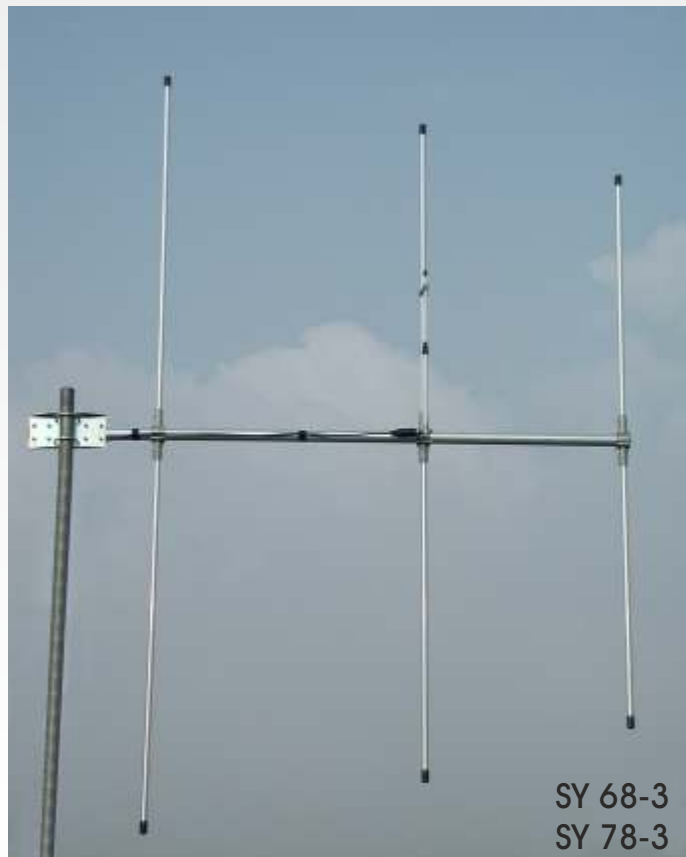


SY 68-2, SY 68-3 SERIES

Sirio Yagi 68-88 MHz

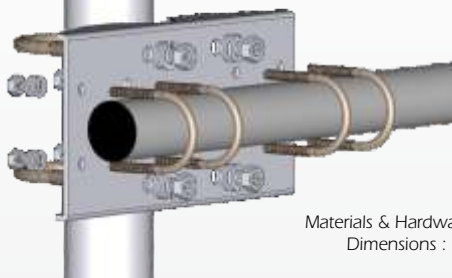


SY 68-2
SY 78-2



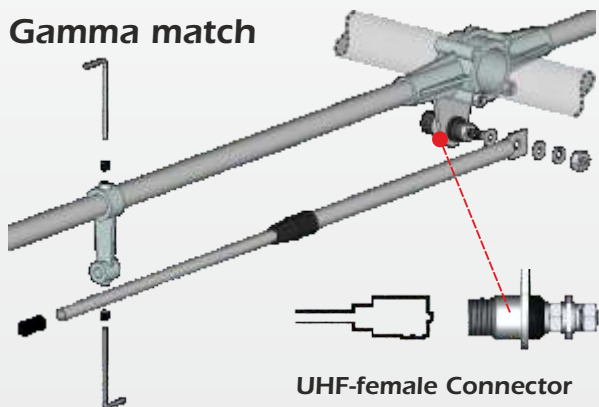
SY 68-3
SY 78-3

Supplied steel bracket for horizontal or vertical installation

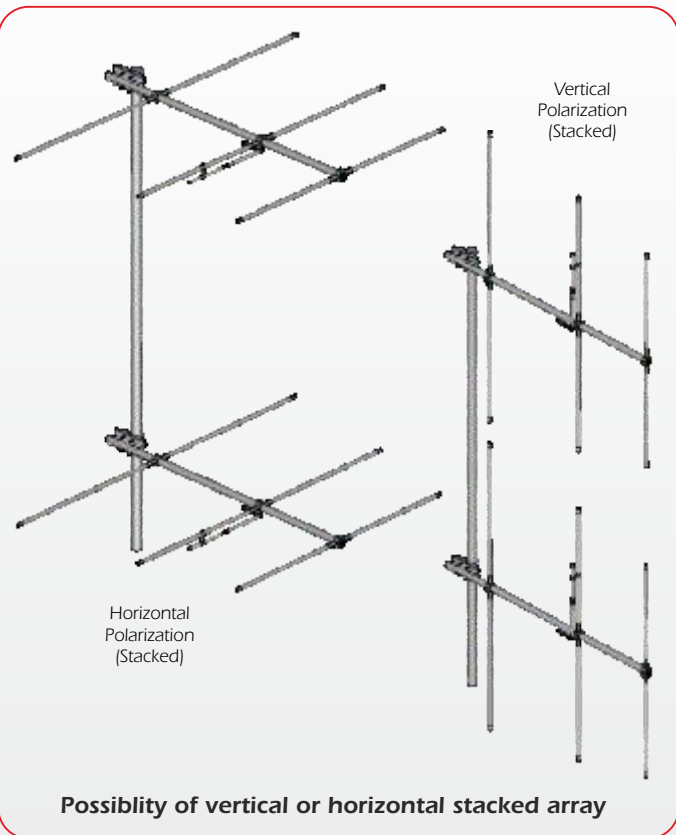


Materials & Hardware: zinc plated steel
Dimensions : 200 x 100 x 28 mm
Weight: 900 gr

Gamma match



UHF-female Connector





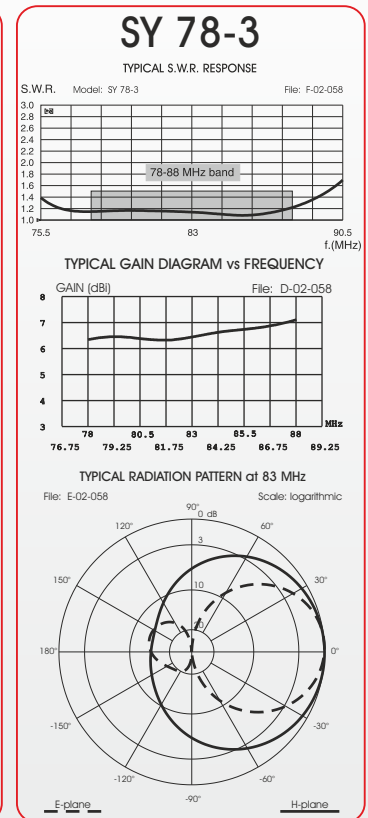
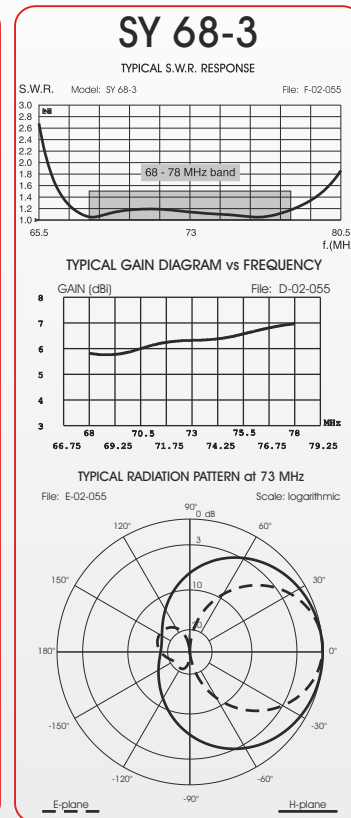
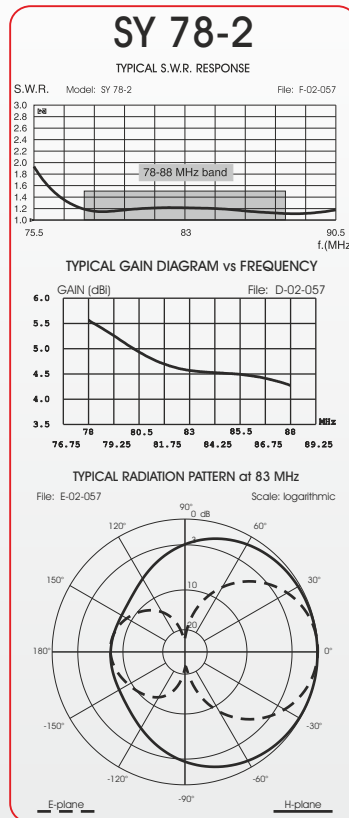
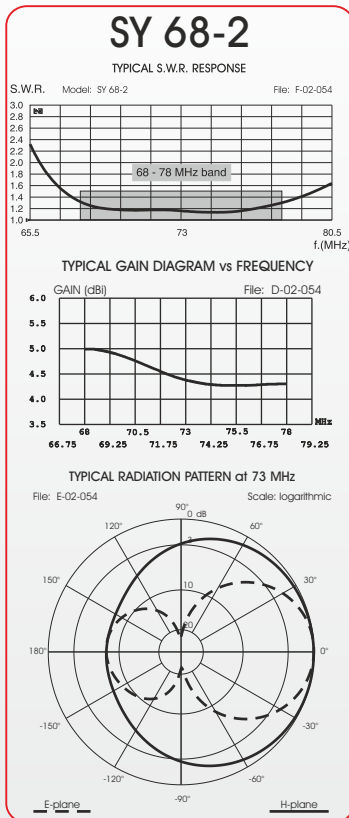
SY 68-2, SY 68-3 SERIES

Sirio Yagi 68-88 MHz

Features:

- # Directional base station antenna, Mono-band
- # Made of aluminium alloy 6063 T-832
- # Steel bracket placed in the rear position for the best performance in vertical and horizontal polarization
- # All connections are waterproof, UHF female connector
- # Possibility of stacked or bayed array for higher gain
- # Gamma match feed system

Electrical Data	SY 68-2	SY 78-2	SY 68-3	SY 78-3
Type	2 elements Yagi		3 elements Yagi	
Frequency Range @ SWR ≤ 1.5	68 - 78 MHz	78 - 88 MHz	68 - 78 MHz	78 - 88 MHz
Impedance	50 Ω			
Radiation (H-plane) beamwidth @ -3 dB	180°	180°	130°	130°
Radiation (E-plane) beamwidth @ -3 dB	75°	75°	70°	70°
Front to back ratio	≥ 8 dB	≥ 8 dB	≥ 15 dB	≥ 15 dB
Polarization	Linear Vertical or Horizontal			
Gain	2.85 dBd - 5 dBi	2.85 dBd - 5 dBi	4.85 dBd - 7 dBi	4.85 dBd - 7 dBi
Max Power (CW) @ 30°C	350 Watts			
Grounding Protection	All metal parts are DC-grounded, the inner conductor is coupled capacitively			
Connector	UHF-female with rubber protection cap			
Mechanical Data				
Materials	Aluminium, Die-cast zamak, EPDM rubber, zinc plated steel, Chromed Brass			
Wind Load @ 150 km/h	159 N	148 N	203 N	190 N
Wind Resistance	140 Km/h, 87 mi/h	140 Km/h, 87 mi/h	120 Km/h, 75 mi/h	120 Km/h, 75 mi/h
Wind Surface	0.128 m ² , 1.4 ft ²	0.118 m ² , 1.26 ft ²	0.166 m ² , 1.77 ft ²	0.154 m ² , 1.64 ft ²
Dimensions W x H (approx.)	1250 x 2235 mm, 4.1 x 7.3 ft	1250 x 1895 mm, 4.1 x 6.2 ft	1600 x 2235 mm, 5.2 x 7.3 ft	1600 x 1955 mm, 5.2 x 6.4 ft
Turning radius (approx.)	1565 mm, 5.1 ft	1490 mm, 4.9 ft	1875 mm, 6.1 ft	1815 mm, 6.0 ft
Weight (approx.)	2695 gr, 5.9 lb	2610 gr, 5.8 lb	3360 gr, 7.4 lb	3270 gr, 7.2 lb
Operating temperature	-40° C to +80° C			
Mounting Mast	∅ 35 - 52 mm, ∅ 1.4 - 2.0 in			
Boom Diameter / Element Diameter	∅ 33 mm, 1.3 in / ∅ 16 mm, 0.6 in			
P/N	2105901/68	2105901/78	2105101/68	2105101/78





GP 3 E

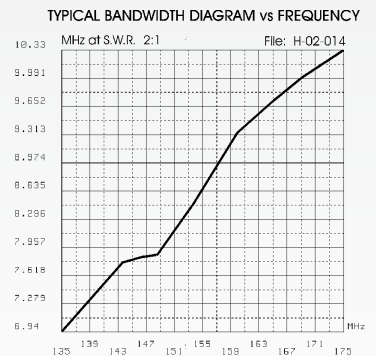
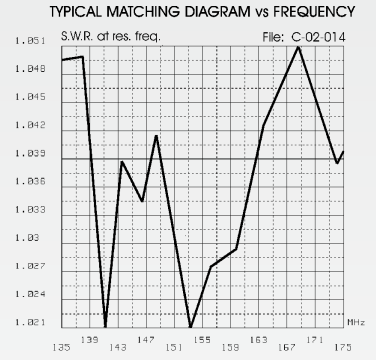
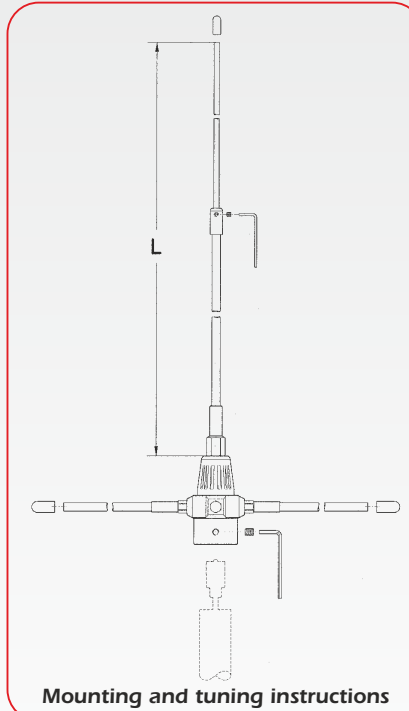
Ground Plane Eco 135...175 MHz

Features:

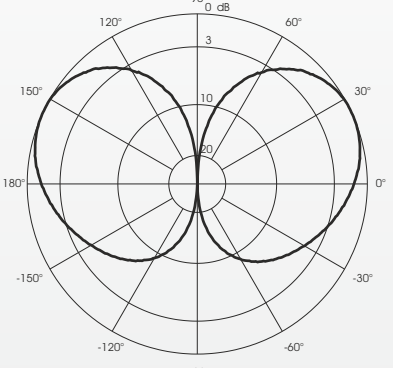
- # Base station antenna, Omnidirectional
- # Low-gain, Mono-band
- # Suitable for land and marine service
- # Tunable by whip length adjust
- # Protection from static discharges DC-Ground
- # Made of aluminium alloy 6063 T-832
- # Side mast mounting allowed by optional bracket FT-3 P/N 2511301.00

Electrical Data	GP 3-E
Type	5/8 λ Ground Plane
Frequency Range	tunable 135...175 MHz
Impedance	50 Ω
Radiation (H-plane)	360° Omnidirectional
Radiation (E-plane)	Beamwidth @ -3dB = 67°
Radiation angle deg.	18°
Polarization	Linear Vertical
Gain	1.5 dBd - 3.65 dBi
SWR @ res. freq.	see diagram
Bandwidth @ SWR ≤ 2	see diagram
Max Power (CW) @ 30°C	200 Watts
Grounding Protection	All metal parts are DC-grounded, inner conductor shows a DC short
Connector	UHF-female, gold plated central pin

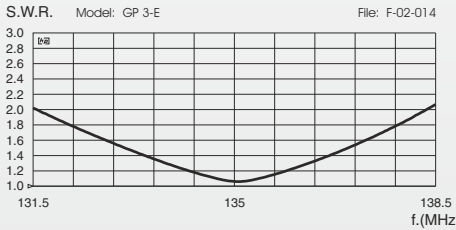
Mechanical Data	
Materials	Aluminium, Copper, Nylon
Wind Load at 150 km/h	28 N
Wind Resistance	150 Km/h, 93 mi/h
Wind Surface	0.02 m ² , 0.21 ft ²
Height (approx.)	1480 mm, 4.9 ft
Weight (approx.)	570 gr, 1.25 lb
Radial Length (approx.)	530 mm, 1.7 ft
Mounting Mast	∅ 25-30 mm, ∅ 1.0-1.18 in
P/N	2101801.00



TYPICAL RADIATION PATTERN in E-plane at 145 MHz
File: E-02-014 Scale: logarithmic

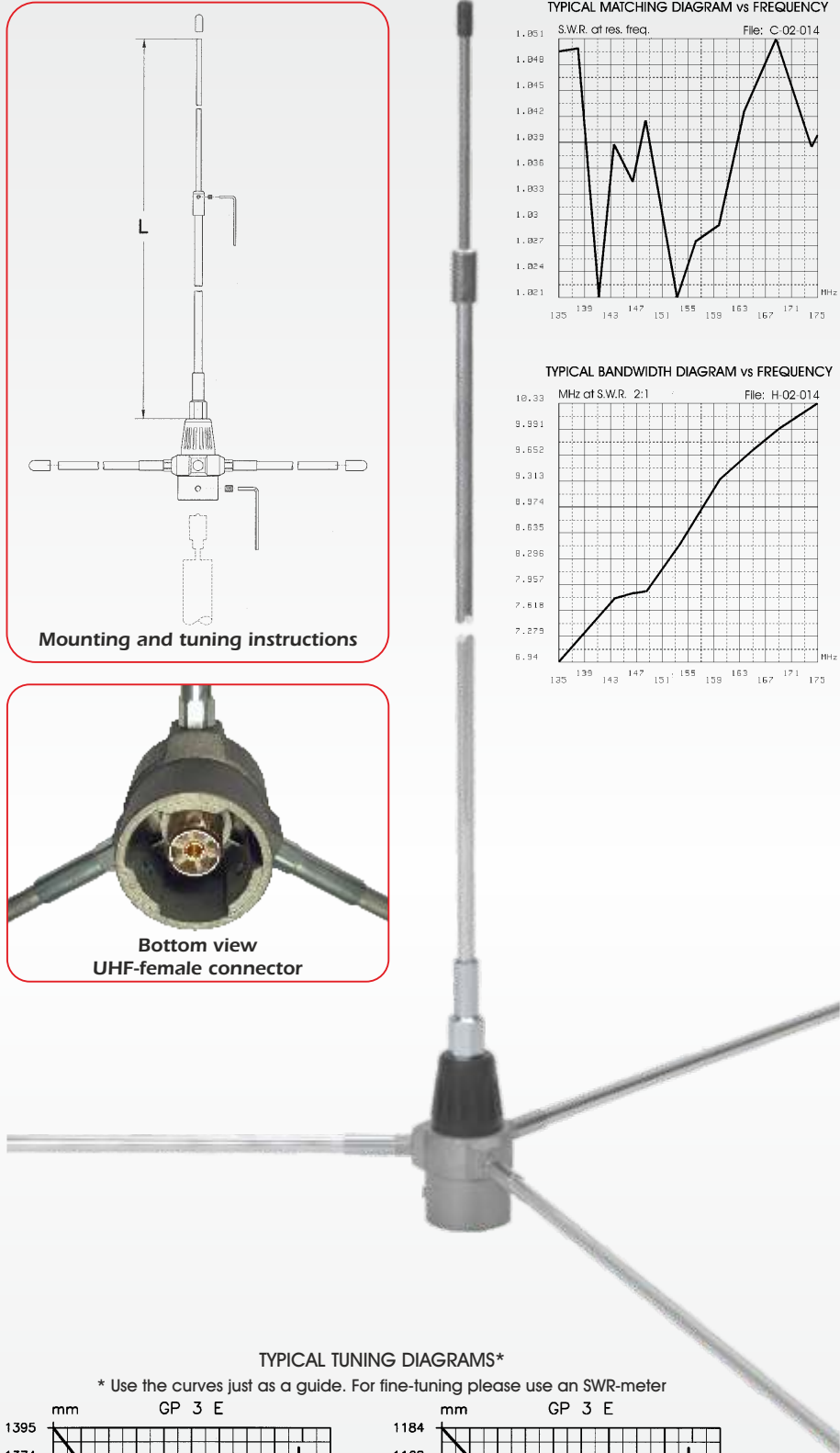
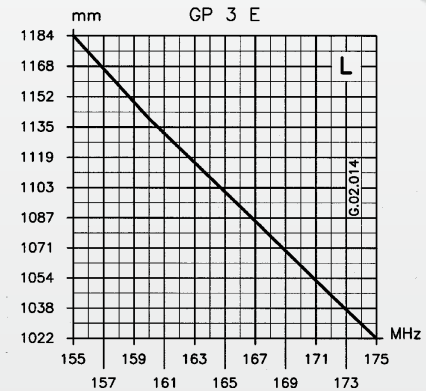
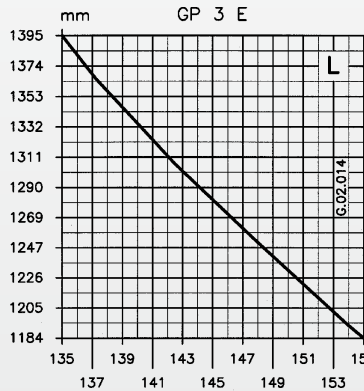


TYPICAL S.W.R. RESPONSE



TYPICAL TUNING DIAGRAMS*

* Use the curves just as a guide. For fine-tuning please use an SWR-meter





GP 6 E

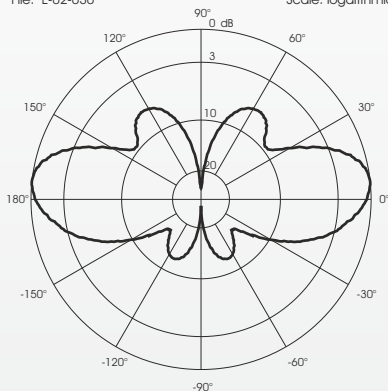
Ground Plane Eco 140...175 MHz

Features:

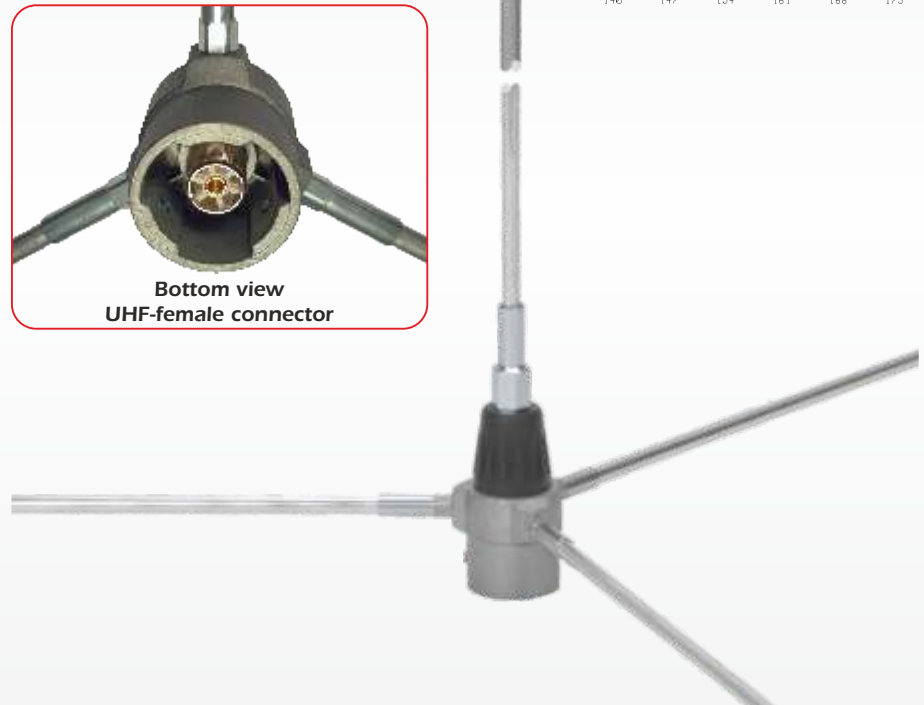
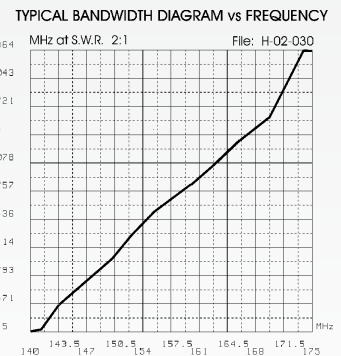
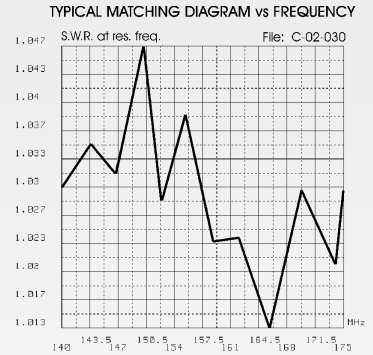
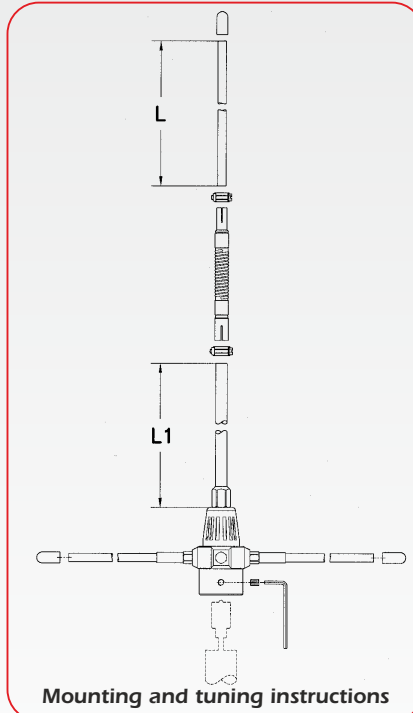
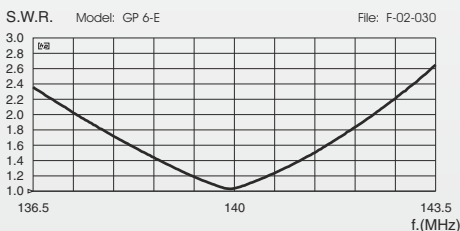
- # Base station antenna, Omnidirectional
- # Medium-gain, Mono-band
- # Suitable for land and marine service
- # Tunable by whip cutting
- # Protection from static discharges DC-Ground
- # Made of aluminium alloy 6063 T-832
- # Side mast mounting allowed by optional bracket FT-3 P/N 2511301.00

Electrical Data	GP 6-E
Type	2 x 5/8 λ Ground Plane Colinear
Frequency Range	tunable 140...175 MHz
Impedance	50 Ω
Radiation (H-plane)	360° Omnidirectional
Radiation (E-plane)	Beamwidth @ -3dB = 30°
Radiation angle deg.	3.6°
Polarization	Linear Vertical
Gain	3.8 dBd - 5.95 dBi
SWR @ res. freq.	see diagram
Bandwidth @ SWR ≤ 2	see diagram
Max Power (CW) @ 30°C	200 Watts
Grounding Protection	All metal parts are DC-grounded, inner conductor shows a DC short
Connector	UHF-female, gold plated central pin
Mechanical Data	
Materials	Aluminium, Chromed Brass, Nylon
Wind Load at 150 km/h	46 N
Wind Resistance	120 Km/h, 75 mi/h
Wind Surface	0.04 m ² , 0.42 ft ²
Height (approx.)	3060 mm, 10 ft
Weight (approx.)	750 gr, 1.6 lb
Radial Length (approx.)	530 mm, 1.7 ft
Mounting Mast	∅ 25-30 mm, ∅ 1.0-1.18 in
P/N	2108101.00

TYPICAL RADIATION PATTERN in E-plane at 145 MHz
File: E-02-030 Scale: logarithmic

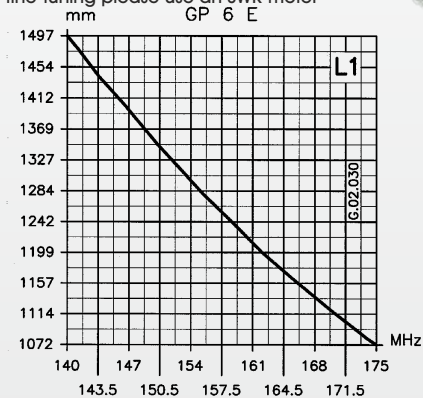
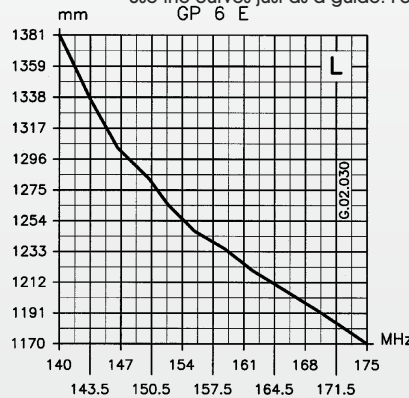


TYPICAL S.W.R. RESPONSE



TYPICAL TUNING DIAGRAMS*

* Use the curves just as a guide. For fine-tuning please use an SWR-meter GP 6 E





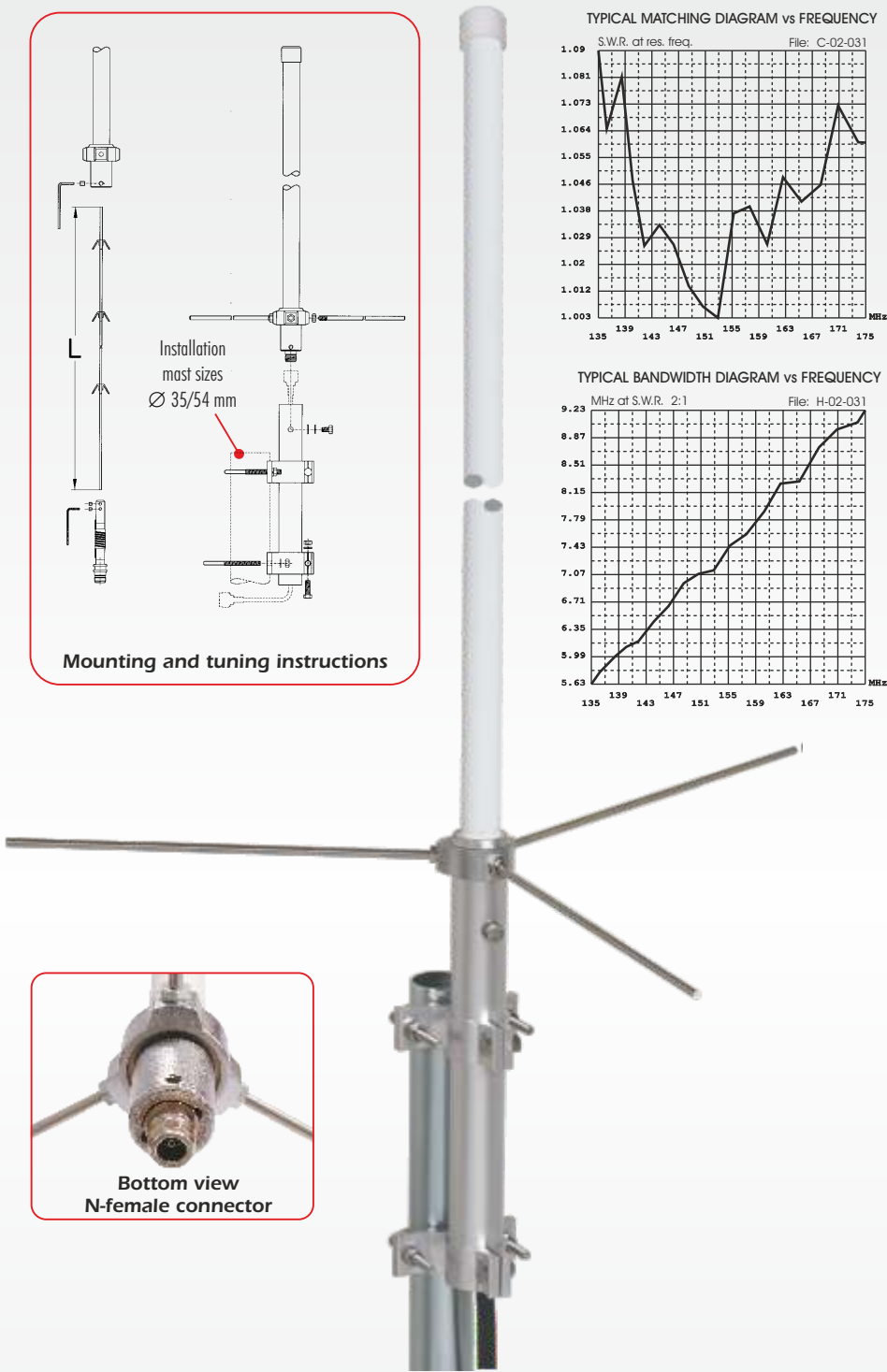
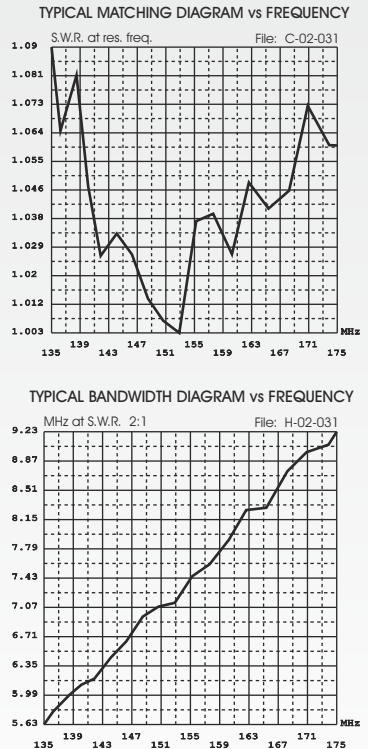
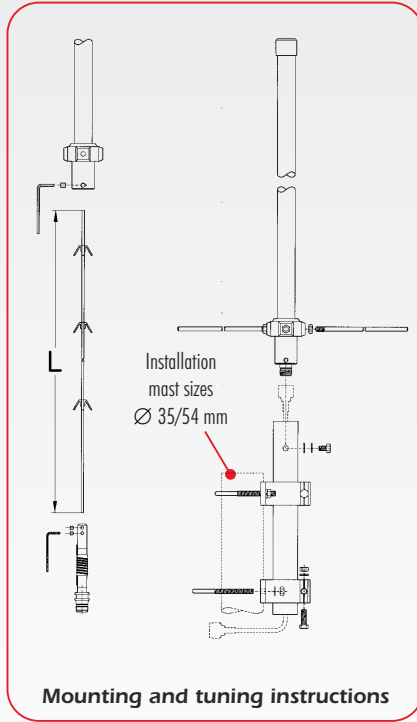
GPF 21-N

Ground Plane Fiber 135...175 MHz

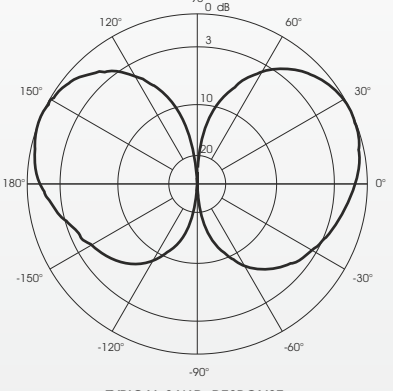
Features:

- # Base station antenna, Mono-band
- # Low-gain, Omnidirectional
- # Suitable for land and marine service
- # Tunable by whip cutting
- # Protection from static discharges DC-Ground
- # Stainless steel hardware and radials
- # Equipped with anodized aluminium bracket for an easy side mast installation
- # High quality whip made of brass and copper protected by fiberglass tube

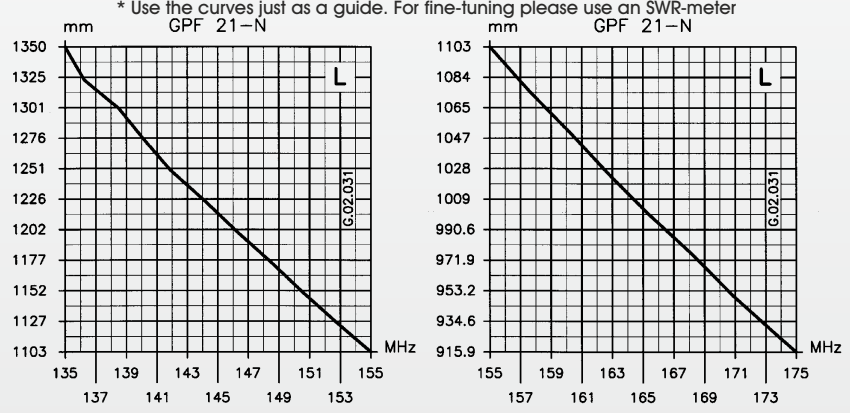
Electrical Data	GPF 21 N
Type	5/8 λ Ground Plane
Frequency Range	tunable 135...175 MHz
Impedance	50 Ω
Radiation (H-plane)	360° Omnidirectional
Radiation (E-plane)	Beamwidth @ -3dB = 80°
Radiation angle deg.	28°
Polarization	Linear Vertical
Gain	1.5 dBd - 3.65 dBi
SWR @ res. freq.	see diagram
Bandwidth @ SWR ≤ 2	see diagram
Max Power (CW) @ 30°C	200 Watts
Grounding Protection	All metal parts are DC-grounded, inner conductor shows a DC short
Connector	N-female, gold plated central pin
Mechanical Data	
Materials	Fiberglass, Aluminium, Brass
Wind Load at 150 km/h	55 N
Wind Resistance	200 Km/h, 125 mi/h
Wind Surface	0.05 m ² , 0.53 ft ²
Height (approx.)	1730 mm, 5.7 ft
Weight (approx.)	1200 gr, 3.8 lb
Radial Length (approx.)	495 mm, 1.6 ft
Mounting Mast	∅ 35-54 mm, ∅ 1.4-3.1 in
P/N	2109720.00



TYPICAL RADIATION PATTERN in E-plane at 145 MHz
File: E-02-031 Scale: logarithmic



TYPICAL TUNING DIAGRAMS*





GPF 22-N

Ground Plane Fiber 135...175 MHz

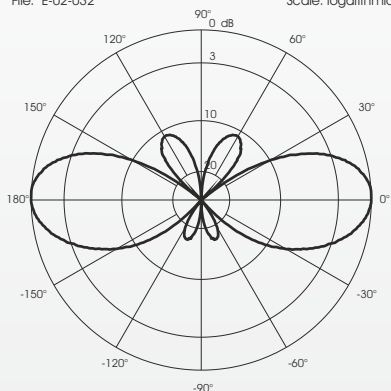
Features:

- # Base station antenna, Mono-band
- # Medium-gain , Omnidirectional
- # Suitable for land and marine service
- # Tunable by whip cutting
- # Stainless steel hardware and radials
- # Equipped with anodized aluminium bracket for an easy side mast installation
- # High quality whip made of brass and copper protected by fiberglass tube

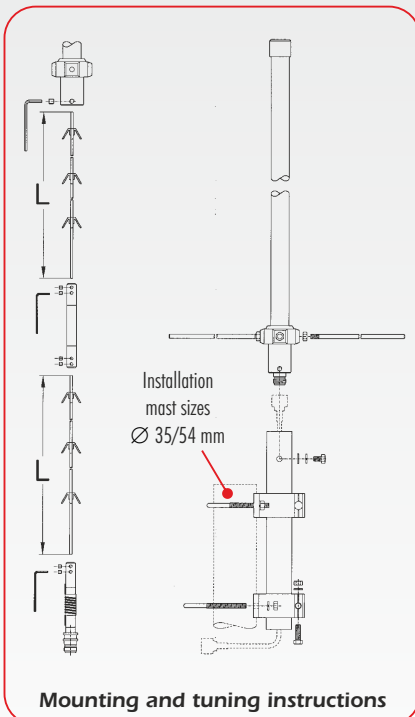
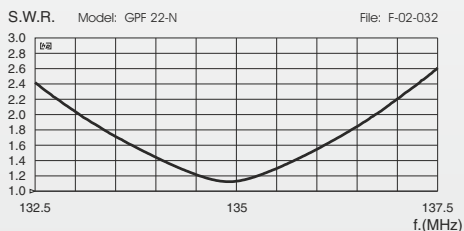
Electrical Data	GPF 22-N
Type	2 x 5/8 λ Ground Plane Colinear
Frequency Range	tunable 135...175 MHz
Impedance	50 Ω
Radiation (H-plane)	360° Omnidirectional
Radiation (E-plane)	Beamwidth @ -3dB = 35°
Radiation angle deg.	0°
Polarization	Linear Vertical
Gain	3.8 dBd - 5.95 dBi
SWR @ res. freq.	see diagram
Bandwidth @ SWR ≤ 2	see diagram
Max Power (CW) @ 30°C	200 Watts
Grounding Protection	All metal parts are DC-grounded, the inner conductor is coupled capacitively
Connector	N-female, gold plated central pin

Mechanical Data	
Materials	Fiberglass, Aluminium, Brass
Wind Load at 150 km/h	95 N
Wind Resistance	150 Km/h, 93 mi/h
Wind Surface	0.08 m ² , 0.85 ft ²
Height (approx.)	3230 mm, 10.6 ft
Weight (approx.)	1630 gr, 3.6 lb
Radial Length (approx.)	495 mm, 1.6 ft
Mounting Mast	∅ 35-54 mm, ∅ 1.4-3.1 in
P/N	2109820.00

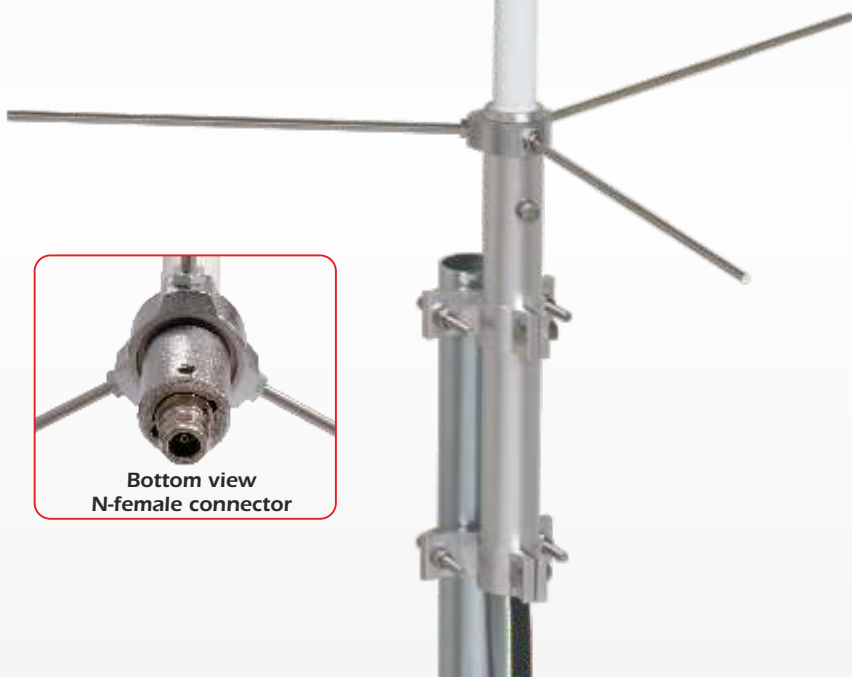
TYPICAL RADIATION PATTERN in E-plane at 145 MHz
File: E-02-032 Scale: logarithmic



TYPICAL S.W.R. RESPONSE

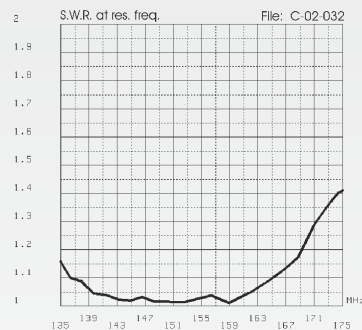


Mounting and tuning instructions

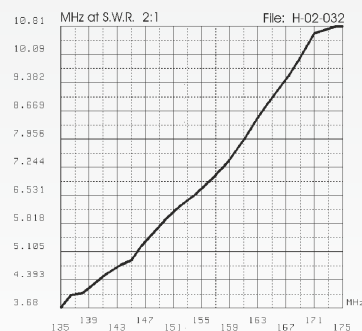


Bottom view
N-female connector

TYPICAL MATCHING DIAGRAM vs FREQUENCY

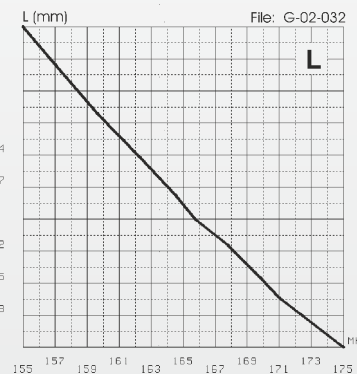
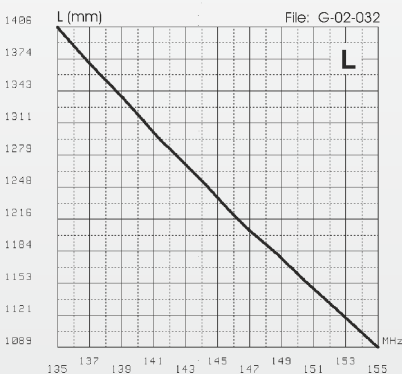


TYPICAL BANDWIDTH DIAGRAM vs FREQUENCY



TYPICAL TUNING DIAGRAMS*

* Use the curves just as a guide. For fine-tuning please use an SWR-meter





SO 169 N

SO 437 N

Sirio Omnidirectional

Features:

- # Omnidirectional Base station antenna, Mono-band
- # Unity-gain, Omnidirectional
- # ISM 169 MHz or UHF 70cm
- # Protection from static discharges DC-Ground
- # Stainless steel bracket
- # High quality radiator protected by fiberglass tube

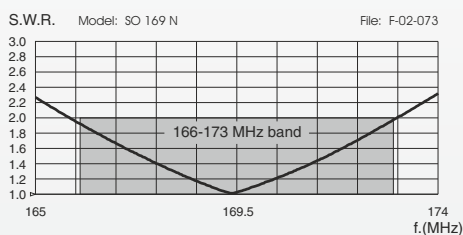
Electrical Data	SO 169 N	SO 437 N
Type	1/2 λ	
Frequency Range @ SWR \leq 2	166-173 MHz	430 -450 MHz
Impedance	50 Ω	
Radiation (H-plane)	360° Omnidirectional	
Radiation (E-plane)	beamwidth @ -3 dB = 70°	
Radiation angle deg.	0°	
Polarization	Linear Vertical	
Gain	0 dBd - 2.15 dBi	
Max Power (CW) @30°C	50 Watt	20 Watt
Grounding Protection	All metal parts are DC-ground, the inner conductor shows a DC-short	
Connector	N-female, gold plated central pin	

Mechanical Data

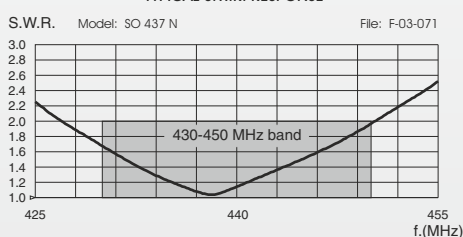
Materials	Fiberglass, Chromed Brass, copper	
Wind Load @ 150 km/h	16 N	9 N
Wind Resistance	140 Km/h; 87 mi/h	200 Km/h; 124 mi/h
Wind Surface	0.014 m ² ; 0.15 ft ²	0.008 m ² ; 0.086 ft ²
Height (approx.)	960 mm, 3.1 ft	530 mm, 1.7 ft
Weight (approx.)	260 gr, 0.57 lb	150 gr, 0.33 lb
Mounting	"M1" bracket	
P/N	2112920/169	2112920/437

NEW MODELS

TYPICAL S.W.R. RESPONSE



TYPICAL S.W.R. RESPONSE





WD 140/155-N

WY 140/155-2N

Wide-band Dipole 140-175 MHz

Wide-band Yagi 140-175 MHz

Features:

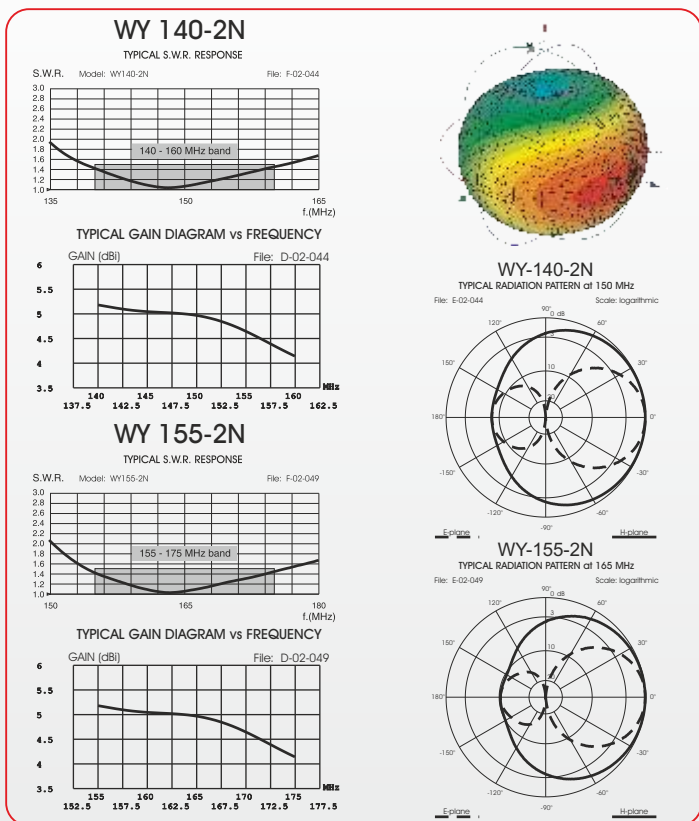
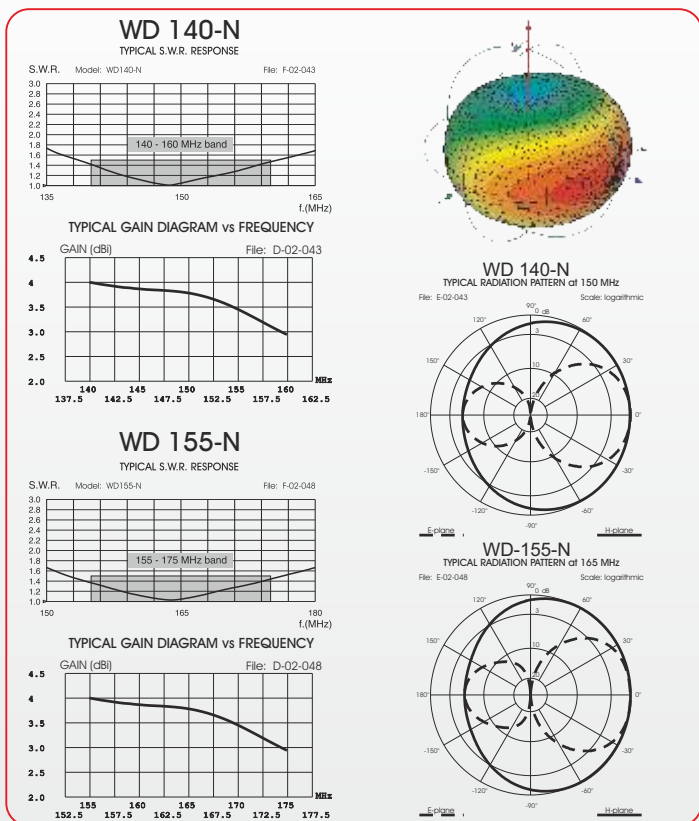
PATENTED

- # Wide-band directional base station antennas
- # PATENT applied: exclusive feed system conceived for the highly symmetrical radiation pattern in both planes (E and H)
- # Made of anodized 6063-T5 aluminium, extruded aluminium bracket, rear mounting
- # Extruded aluminium bracket, rear mounting
- # N female connector protected by EPDM rubber cap for RG58 or RG213 cables
- # Stacked & bayed array for higher gain, Optional tilting bracket

Electrical Data	WD 140-N	WD 155-N	WY 140-2N	WY 155-2N
Type	Dipole		2 elements Yagi	
Frequency Range @ SWR ≤ 1.5	140-160 MHz	155-175 MHz	140-160 MHz	155-175 MHz
Impedance	50 Ω			
Radiation (H-plane) beamwidth @ -3 dB	245°	245°	195°	165°
Radiation (E-plane) beamwidth @ -3 dB	80°	85°	75°	75°
Front to back ratio	≥ 5 dB	≥ 5 dB	≥ 9 dB	≥ 9 dB
Polarization	Linear Vertical		Linear Vertical or Horizontal	
Gain	1.85 dBd-4 dBi	1.85 dBd-4 dBi	3.05 dBd-5.2 dBi	3.05 dBd-5.2 dBi
Max Power (CW) @ 30°C	200 Watts			
Grounding Protection	All metal parts are DC-grounded, the inner conductor shows a DC short			
Connector	N-female with rubber protection cap			

Mechanical Data

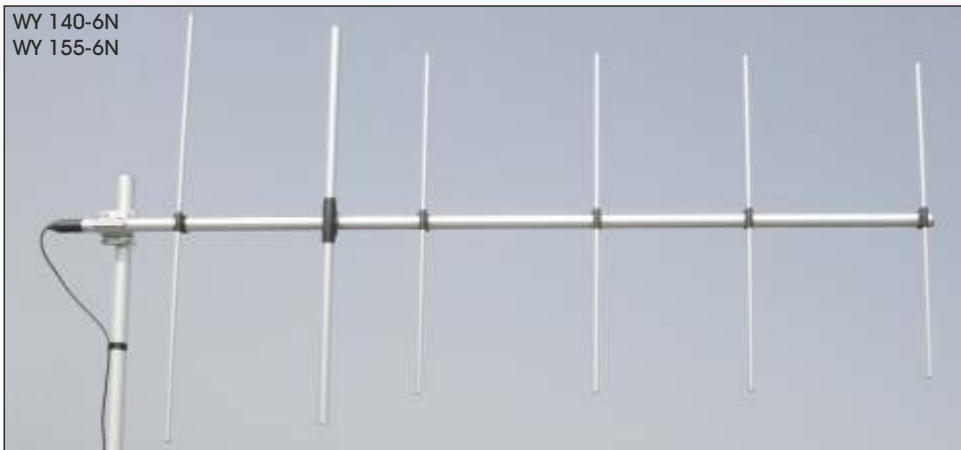
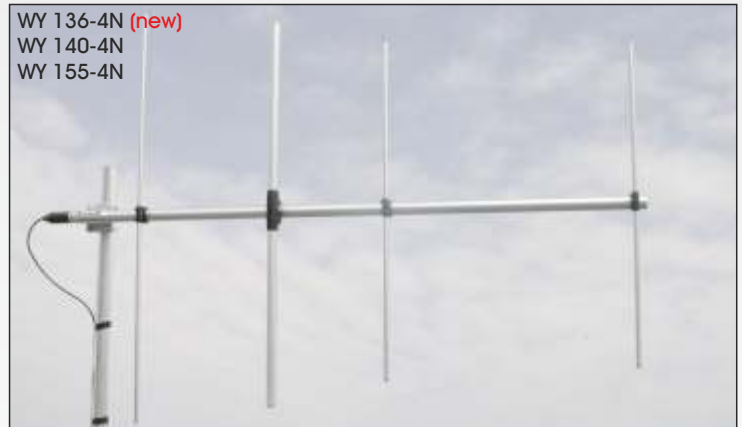
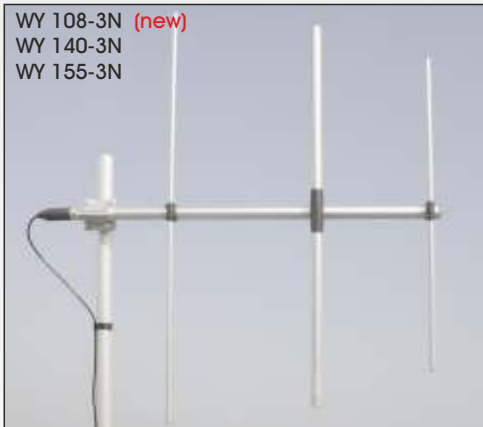
Materials	Anodized 6063-T5 Aluminium, EPDM rubber, thermoplastic UV stabilized, Nichel Plated Brass			
Wind Load @ 150 km/h	77 N	77 N	92 N	88 N
Wind Resistance	200Km/h, 124mi/h	200Km/h, 124mi/h	180Km/h, 112mi/h	180Km/h, 112mi/h
Wind Surface	0.06m ² , 0.64ft ²	0.06m ² , 0.64ft ²	0.071m ² , 0.76ft ²	0.068m ² , 0.72ft ²
Dimensions W x H (approx.)	730 x 915 mm 2.4 x 3.0 ft	730 x 835 mm 2.4 x 2.7 ft	740 x 1110 mm 2.4 x 3.6 ft	740 x 955 mm 2.4 x 3.1 ft
Turning radius (approx.)	600 mm, 2 ft	600 mm, 2 ft	770 mm, 2.5 ft	750 mm, 2.45 ft
Weight (approx.)	1390 gr, 3 lb	1390 gr, 3 lb	1490 gr, 3.3 lb	1450 gr, 3.2 lb
Operating temperature	-40° C to +60° C			
Mounting Mast	∅ 35 - 52 mm, 1.4 - 2.0 in			
Boom / Dipole / Element Diameter	∅ 32 mm, 1.25 in / ∅ 24 mm, 0.95 in			
P/N	2113301/140	2113301/155	2113401/140	2113401/155





WY SERIES

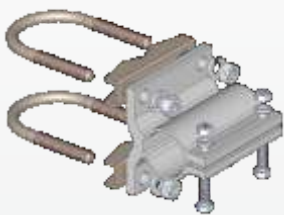
PATENTED Wide-band Yagi 108-175 MHz



WIDE-BAND YAGI
New feed system for
High simmetrical pattern
Completely computer
designed for the
best performances
PATENT applied

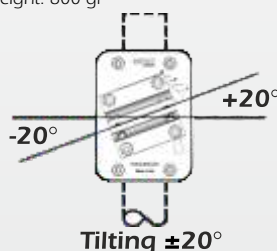
Standard Mounting bracket

Spare parts: **p/n 2519913.00**
Materials: extruded aluminum
Hardware: stainless steel
Mast: Ø35-52mm, Ø1.4-2.0 in
Dimensions : 80x76x65mm, 3.1x3x2.3in
Weight: 460 gr, 1 lb

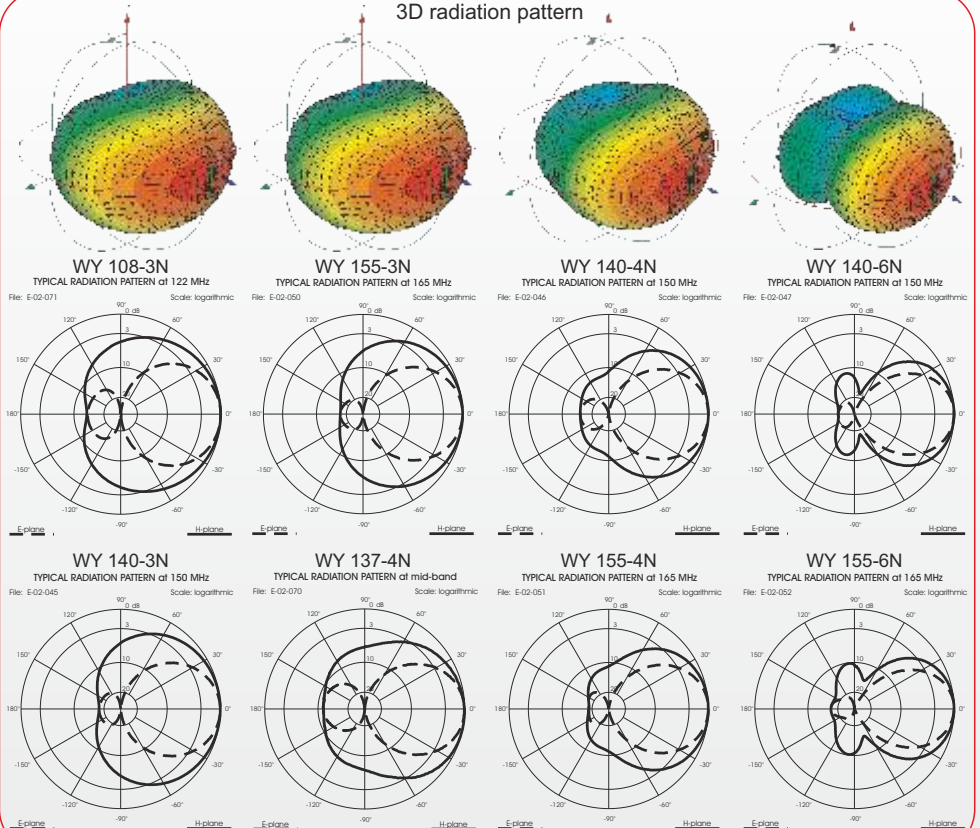


Optional Tilting bracket P/N 2519803.00

Materials & Hardware: zinc plated steel
Dimensions: 110 x 150 x 6 mm.
Weight: 800 gr



3D radiation pattern





WY SERIES

Wide-band Yagi 108-175 MHz **PATENTED**

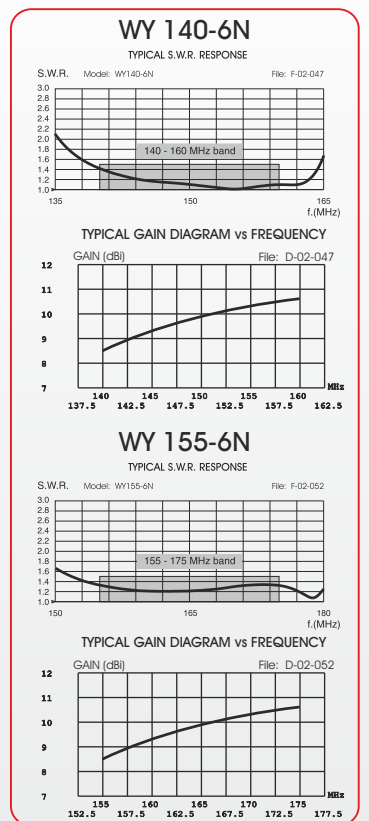
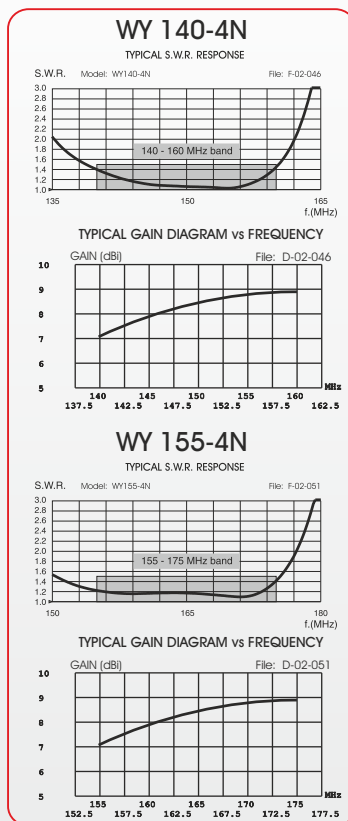
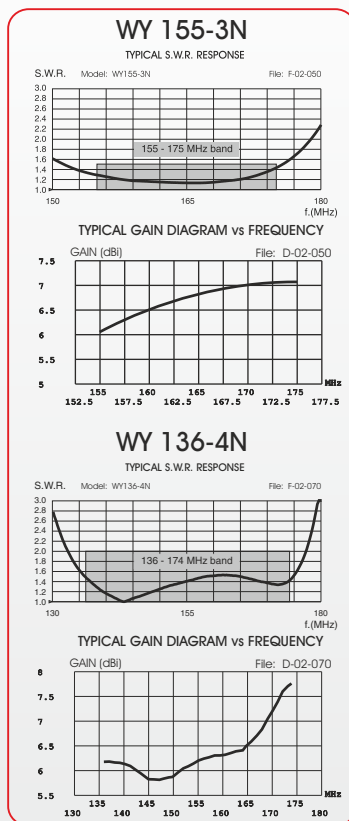
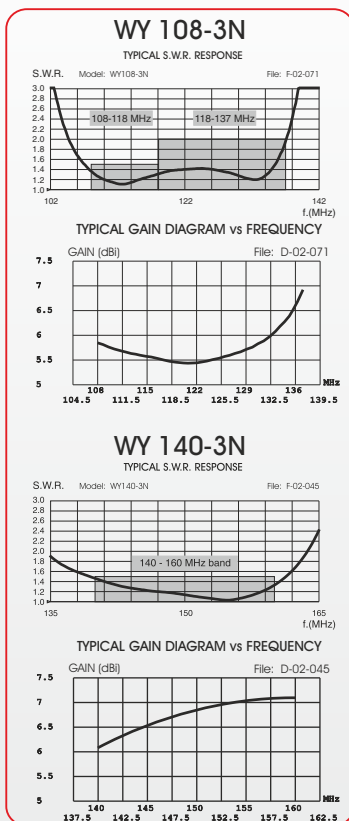
Features:

- # Wide-band directional base station antenna
- # PATENT applied: exclusive feed system conceived for the highly symmetrical radiation pattern in both planes (E and H)
- # Completely computer designed to get the best performance of gain and front-to-back ratio in the band of interest
- # Made of anodized 6063-T5 aluminium, extruded aluminium bracket, rear mounting, Optional tilting bracket
- # N female connector protected by EPDM rubber cap for RG58 or RG213 cables; Stacked & bayed array for higher gain

Electrical Data	(new)			(new)				
	WY 108-3N	WY 140-3N	WY 155-3N	WY 136-4N	WY 140-4N	WY 155-4N	WY 140-6N	WY 155-6N
Type	3 elements Yagi			4 elements Yagi			6 elements Yagi	
Frequency Range @ SWR ≤ 1.5	108-118 MHz	140-160 MHz	155-175 MHz	/	140-160 MHz	155-175 MHz	140-160 MHz	155-175 MHz
@ SWR ≤ 2.0	108-137 MHz	/	/	136-174 MHz	/	/	/	/
Impedance	50 Ω							
Radiation (H-plane) beamwidth @ -3dB	150°	140°	130°	116°	100°	100°	80°	75°
Radiation (E-plane) beamwidth @ -3dB	70°	70°	70°	65°	65°	65°	60°	55°
Front to back ratio	≥ 12 dB	≥ 16 dB	≥ 16 dB	≥ 10 dB	≥ 16 dB	≥ 16 dB	≥ 16 dB	≥ 16 dB
Polarization	Linear Vertical or Horizontal							
Gain	4.85 dBd-7 dBi	4.85 dBd - 7 dBi	4.85 dBd - 7 dBi	5.35 dBd-7.5 dBi	6.35 dBd-8.5 dBi	6.35 dBd-8.5 dBi	8.35dBd-10.5dBi	8.35dBd-10.5dBi
Max Power (CW) @ 30°C	200 Watts							
Grounding Protection	All metal parts are DC-grounded, the inner conductor shows a DC short							
Connector	N-female with rubber protection cap							

Mechanical Data

Materials								
Anodized 6063-T5 Aluminium, EPDM rubber, thermoplastic UV stabilized, Nichel Plated Brass								
Wind Load @ 150 km/h	114 N	114 N	109 N	147 N	147 N	141 N	184 N	176 N
Wind Resistance	160Km/h,99mi/h	160Km/h,99mi/h	160Km/h,99mi/h	140Km/h,87mi/h	140Km/h,87mi/h	140Km/h,87mi/h	120Km/h,75mi/h	120Km/h,75mi/h
Wind Surface	0.090m ² , 0.96ft ²	0.090m ² , 0.96ft ²	0.086m ² , 0.92ft ²	0.119m ² , 1.27ft ²	0.119m ² , 1.27ft ²	0.114m ² , 1.22ft ²	0.150m ² , 1.60ft ²	0.145m ² , 1.55ft ²
Dimensions W x H (approx.)	910 x 1400 mm 3.0 x 4.5 ft	990 x 1110 mm 3.2 x 3.6 ft	990 x 985 mm 3.2 x 3.2 ft	1600 x 1120 mm 5.2 x 3.7 ft	1600 x 1085 mm 5.2 x 3.6 ft	1600 x 985 mm 5.2 x 3.2 ft	2010 x 1085 mm 6.6 x 3.6 ft	2010 x 985 mm 6.6 x 3.2 ft
Turning radius (approx.)	1000 mm, 3.3 ft	970 mm, 3.2 ft	950 mm, 3.15 ft	1540 mm, 5.05 ft	1540 mm, 5.05 ft	1530 mm, 5.02 ft	1940 mm, 6.4 ft	1930 mm, 6.3 ft
Weight (approx.)	1860 gr, 4.1 lb	1740 gr, 3.8 lb	1680 gr, 3.7 lb	2070 gr, 4.5 lb	2070 gr, 4.5 lb	2015 gr, 4.4 lb	2440 gr, 5.4 lb	2390 gr, 5.2 lb
Operating temperature	-40° C to +60° C							
Mounting Mast	∅ 35 - 52 mm, ∅ 1.4 - 2.1 mm							
Boom / Dipole / Element Diameter	∅ 32 mm, 1.25 in / ∅ 24 mm, 0.95 in / ∅ 12 mm, 0.5 in							
P/N	2113501/108	2113501/140	2113501/155	2113801/136	2113801/140	2113801/155	2113601/140	2113601/155

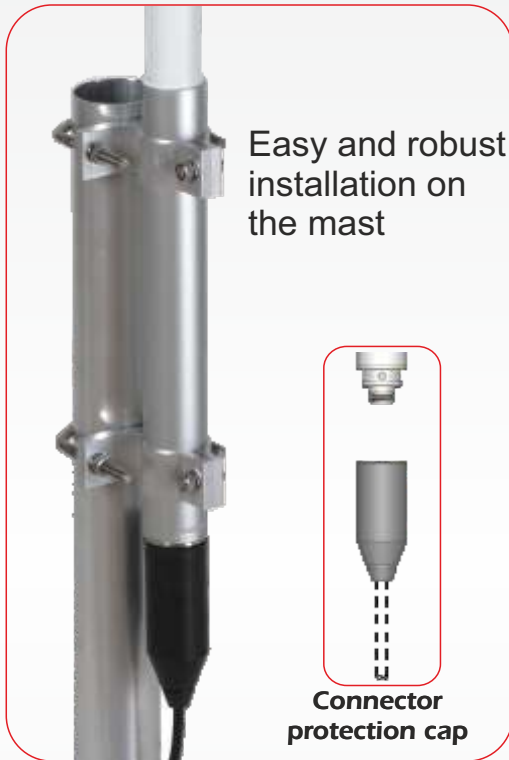




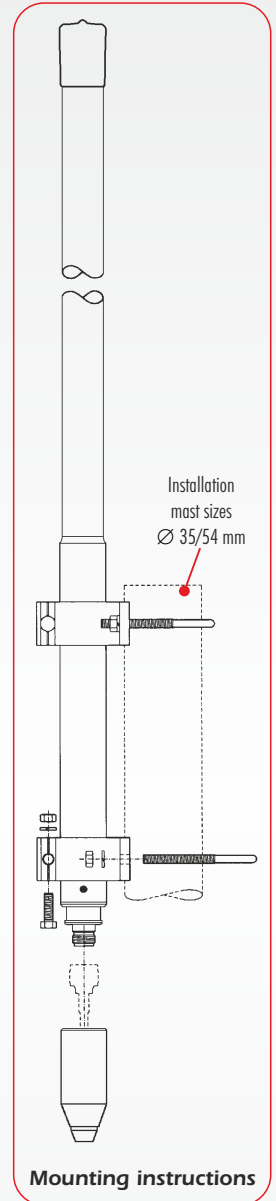
SPO SERIES

Sirio Professional Omni 135-175 MHz

WIDE-BAND
Fiberglass
dipole and colinear



SPO 145-2
Dipole



SPO 135-5
SPO 145-5
SPO 150-5
SPO 158-5
Colinear



SPO SERIES

Sirio Professional Omni 135-175 MHz

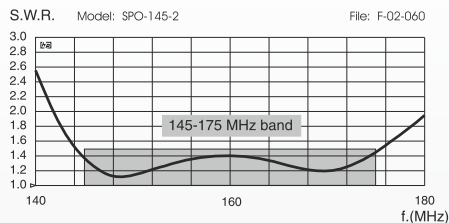
Features:

- # Fiberglass wide-band omnidirectional base station antenna
- # SPO 145-2: Unity-gain; SPO 135/145/158-5: Medium-gain
- # Suitable for land and marine service, Perfect protection against the worst weather conditions
- # Protection from static discharges DC-Ground, Designed to work without Ground Plane
- # Stainless steel hardware

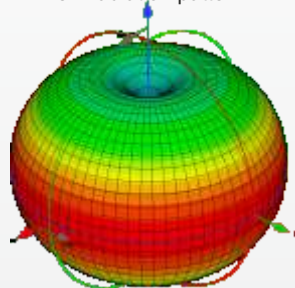
Electrical Data	SPO 145-2	SPO 135-5	SPO 145-5	SPO 150-5	SPO 158-5
Type	Dipole	Colinear			
Frequency Range @ SWR ≤ 1.5	145 - 175 MHz	135-147 MHz	145-160 MHz	150-165 MHz	158-175 MHz
Impedance	50 Ω				
Radiation (H-plane)	360° Omnidirectional				
Radiation (E-plane) beamwidth @ -3 dB	78°	40°	40°	40°	40°
Polarization	Linear Vertical				
Gain	0 dBd - 2.15 dBi	3 dBd - 5.15 dBi	3 dBd - 5.15 dBi	3 dBd - 5.15 dBi	3 dBd - 5.15 dBi
Max Power (CW) @ 30°C	100 Watts				
Grounding Protection	All metal parts are DC-grounded, the inner conductor shows a DC short				
Connector	N-female with rubber protection cap				
Mechanical Data					
Materials	White cylindrical fiberglass radome Ø 28.6 mm, anodized 6063-T5 aluminium, brass, stainless steel, copper, EPDM rubber				
Wind Load @ 150 km/h	53 N	104 N	98 N	98 N	93 N
Wind Resistance	180 Km/h, 112 mi/h	150 Km/h, 93 mi/h	150 Km/h, 93 mi/h	150 Km/h, 93 mi/h	150 Km/h, 93 mi/h
Wind Surface	0.044 m ² , 0.45 ft ²	0.089 m ² , 0.95 ft ²	0.083 m ² , 0.88 ft ²	0.083 m ² , 0.88 ft ²	0.078 m ² , 0.83 ft ²
Height (approx.)	1380 mm, 4.5 ft	2940 mm, 9.6 ft	2740 mm, 9.0 ft	2740 mm, 9.0 ft	2590 mm, 8.5 ft
Weight (approx.)	1315 gr, 2.9 lb	2160 gr, 4.7 lb	2045 gr, 4.5 lb	2000 gr, 4.4 lb	1950 gr, 4.3 lb
Operating temperature	-40° C to +80° C				
Mounting Mast	Side mounting whit "V" bolt, mast Ø 35 - 54 mm, Ø 1.4 - 2.1 in				
P/N	2115020/145	2115120/135	2115120/145	2115120/150	2115120/158

SPO 145-2

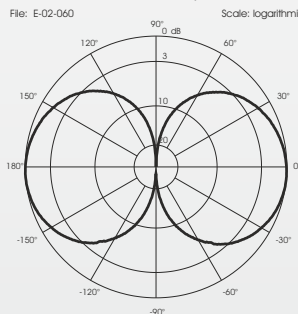
TYPICAL S.W.R. RESPONSE



3D radiation pattern

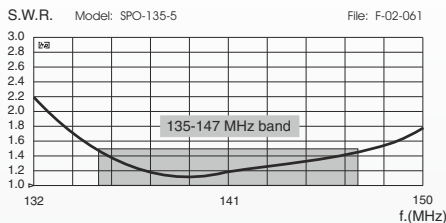


TYPICAL RADIATION PATTERN IN E-plane at mid-band

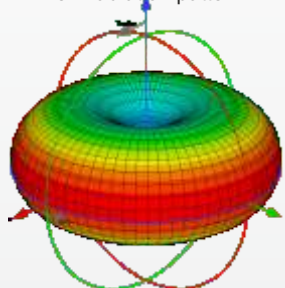


SPO 1..-5 series

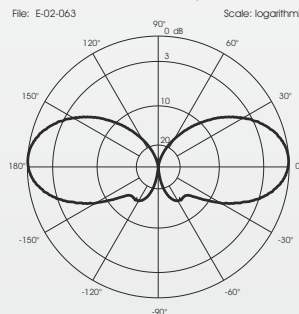
TYPICAL S.W.R. RESPONSE



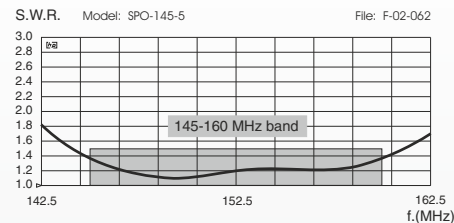
3D radiation pattern



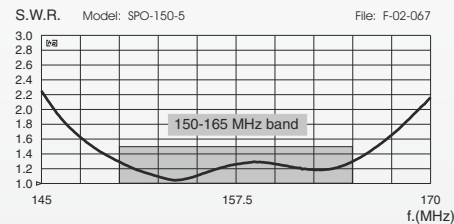
TYPICAL RADIATION PATTERN IN E-plane at mid-band



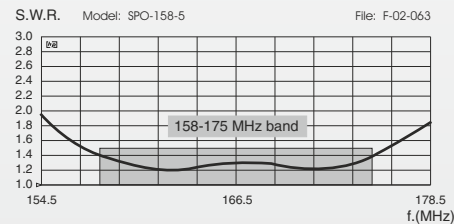
TYPICAL S.W.R. RESPONSE



TYPICAL S.W.R. RESPONSE



TYPICAL S.W.R. RESPONSE





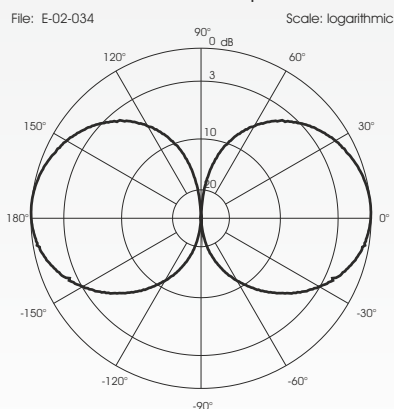
CX 2M SERIES

Coaxial J-pole 140-176 MHz

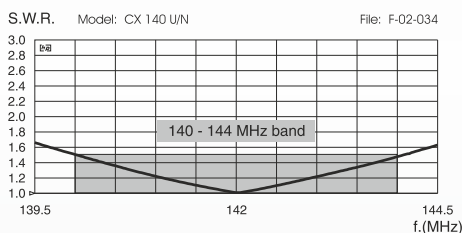
Features:

- # Base station antenna, Low-gain
- # Omnidirectional, Mono-band
- # Protection from static discharges DC-Ground
- # Made of aluminium alloy 6063 T-832
- # New N-female connector versions available

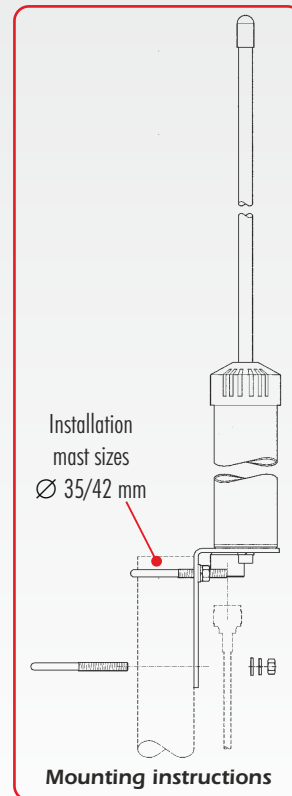
TYPICAL RADIATION PATTERN in E-plane at mid band



TYPICAL S.W.R. RESPONSE



Bottom view
N-female connector



Mounting instructions



Bottom view
UHF-female connector



Electrical Data	CX 140 U/N	CX 144 U/N	CX 148 U/N	CX 152 U/N	CX 156 U/N	CX 160 U/N	CX 164 U/N	CX 168 U/N	CX 172 U/N
Type	3/4 λ Coaxial J-pole								
Frequency Range @ SWR ≤ 1.5	140-144 MHz	144-148 MHz	148-152 MHz	152-156 MHz	156-160 MHz	160-164 MHz	164-168 MHz	168-172 MHz	172-176 MHz
Impedance	50 Ω								
Radiation (H-plane)	360° Omnidirectional								
Radiation (E-plane)	beamwidth @ -3 dB = 68°								
Radiation angle deg.	0°								
Polarization	Linear Vertical								
Gain	2 dBd - 4.15 dBi								
Max Power (CW) @30°C	250 Watts								
Grounding Protection	All metal parts are DC-grounded, the inner conductor shows a DC short								
Connector	UHF-female or N-female (for N-female version ask for minimum quantity required)								
Mechanical Data									
Materials	Aluminium, Zamak, Steel, Brass								
Wind Load @ 150 km/h	50 N	49 N	48 N	48 N	47 N	46 N	45 N	44 N	43 N
Wind Resistance	180 Km/h, 112 mi/h								
Wind Surface	0.04 m ² , 0.42 ft ²								
Height (approx.)	1660 mm, 5.5 ft	1620 mm, 5.3 ft	1580 mm, 5.2 ft	1540 mm, 5 ft	1500 mm, 4.9 ft	1460 mm, 4.8 ft	1430 mm, 4.7 ft	1400 mm, 4.6 ft	1370 mm, 4.5 ft
Weight (approx.)	750 gr, 1.6 lb								
Mounting Mast	∅ 35 - 42 mm, 1.4 - 1.6 in								
P/N with UHF connector	2107201.00	2102201.00	2103501.00	2103901.00	2102301.00	2102401.00	2103601.00	2108401.00	2104001.00
P/N with N connector	Min. q.ty order 100pcs								



CX-220, CX 260

Coaxial J-pole

Features

- # Omnidirectional base station antenna, Low-gain, Mono-band
- # Protection from static discharges DC-Ground
- # Made of aluminium alloy 6063 T-832

Electrical Data	CX 220 U/N	CX 260 U/N
Type	3/4 λ Coaxial J-pole	
Frequency Range @ SWR ≤ 1.5	219-226 MHz	255-264 MHz
Frequency Range @ SWR ≤ 2	216-229 MHz	251-267 MHz
Impedance	50 Ω	
Radiation (H-plane)	360° Omnidirectional	
Radiation (E-plane)	beamwidth @ -3 dB = 60°	
Radiation angle deg.	-2°	
Polarization	Linear Vertical	
Gain	2 dBd - 4.15 dBi	
Max Power (CW) @30°C	200 Watts	
Grounding Protection	All metal parts are DC-grounded, the inner conductor shows a DC short	
Connector	UHF-female or N-female (for N-female version ask for minimum quantity required)	

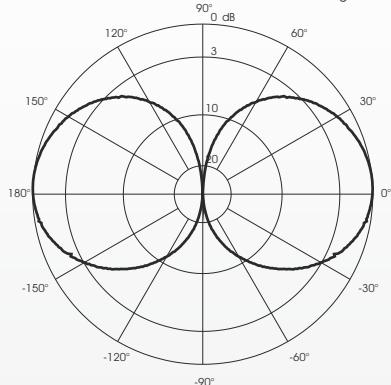
Mechanical Data

Materials	Aluminium, Zamak, Steel, Brass	
Wind Load @ 150 km/h	36 N	
Wind Resistance	180 Km/h, 112 mi/h	
Wind Surface	0.03 m ² , 0.32 ft	
Height (approx.)	630 gr, 1.4 lb	
Weight (approx.)	1100 mm, 3.6 ft	950 mm, 3.1 ft
Mounting Mast	∅ 35 - 42 mm, 1.4 - 1.6 in	
P/N with UHF connector	Min. q.ty order 100pcs	
P/N with N connector	2106101.00	2106001.00

TYPICAL RADIATION PATTERN in E-plane at mid band

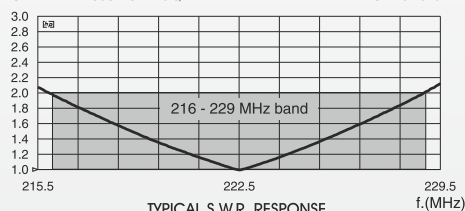
File: E-02-015

Scale: logarithmic



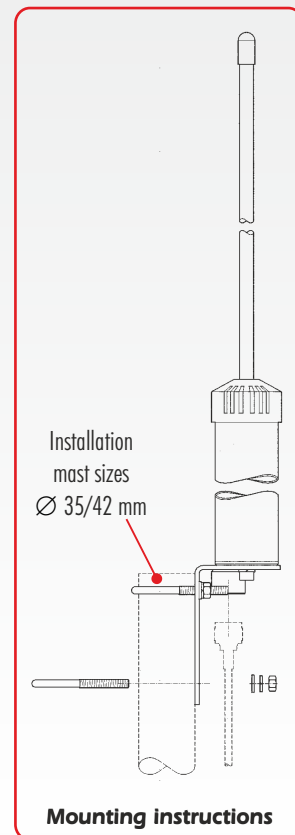
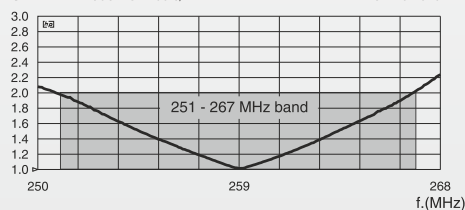
TYPICAL S.W.R. RESPONSE

S.W.R. Model: CX 220 U/N File: F-02-015



TYPICAL S.W.R. RESPONSE

S.W.R. Model: CX 260 U/N File: F-02-016





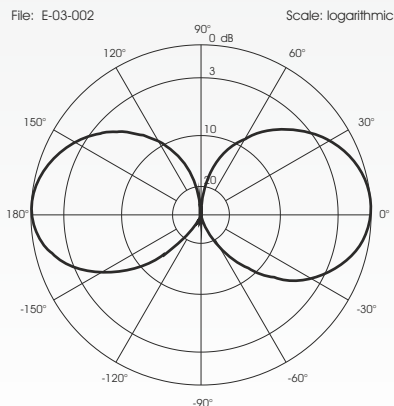
CX 70 CM SERIES

Coaxial J-pole 380-485 MHz

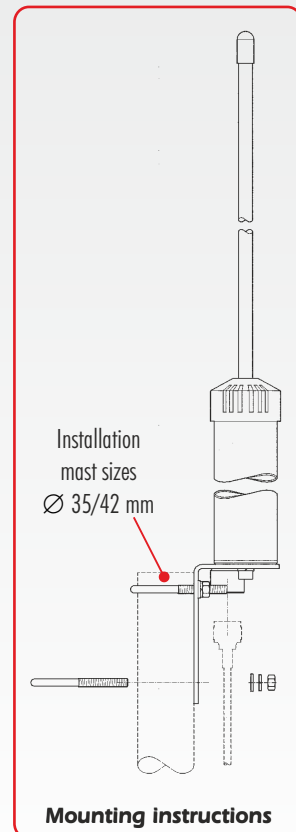
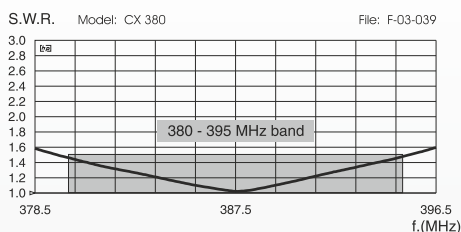
Features:

- # Base station antenna, Low-gain
- # Omnidirectional, Mono-band
- # Protection from static discharges DC-Ground
- # Made of aluminium alloy 6063 T-832

TYPICAL RADIATION PATTERN in E-plane at mid band



TYPICAL S.W.R. RESPONSE



Electrical Data	CX 380	CX 395	CX 410	CX 425	CX 440	CX 455	CX 470
Type	3/4 λ Coaxial J-pole						
Frequency Range @ SWR ≤ 1.5	380-395 MHz	395-410 MHz	410-425 MHz	425-440 MHz	440-455 MHz	455-470 MHz	470-485 MHz
Impedance	50 Ω						
Radiation (H-plane)	360° Omnidirectional						
Radiation (E-plane)	beamwidth @ -3 dB = 60°						
Radiation angle deg.	0°						
Polarization	Linear Vertical						
Gain	2 dBd - 4.15 dBi						
Max Power (CW) @ 30°C	200 Watts						
Grounding Protection	All metal parts are DC-grounded, the inner conductor shows a DC short						
Connector	N-female						
Mechanical Data							
Materials	Aluminium, Zamak, Steel, Brass						
Wind Load @ 150 km/h	25 N	25 N	25 N	25 N	24 N	23 N	23 N
Wind Resistance	180 Km/h, 112 mi/h						
Wind Surface	0.02 m ² , 0.21 ft ²						
Height (approx.)	665 mm, 2.2 ft	645 mm, 2.1 ft	625 mm, 2.05 ft	605 mm, 2.0 ft	590 mm, 1.93 ft	575 mm, 1.88 ft	558 mm, 1.83 ft
Weight (approx.)	540 gr, 1.2 lb						
Mounting Mast	Ø 35 - 42 mm, 1.4 - 1.6 in						
P/N	2104101.00	2107301.00	2102501.00	2102601.00	2102701.00	2102801.00	2107701.00



GP 365-470 C

Ground Plane 365...470 MHz

Features:

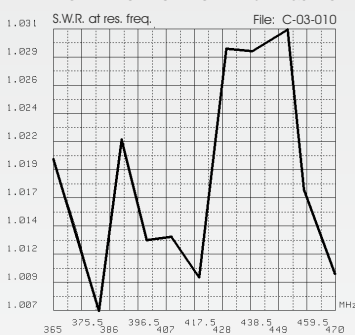
- # Omnidirectional base station antenna
- # Medium-gain, Mono-band
- # Tunable by whip cutting
- # Made of anodized aluminium alloy
- # Stainless steel hardware and radials
- # Equipped with anodized aluminium bracket for an easy side mast installation
- # 17/7 PH stainless steel spring whip

Electrical Data	GP 365-470 C
Type	1/4 λ + 1/2 λ Colinear
Frequency Range	tunable 365...470 MHz
Impedance	50 Ω
Radiation (H-plane)	360° Omnidirectional
Radiation (E-plane)	Beamwidth @ -3dB = 53°
Radiation angle deg.	0°
Polarization	Linear Vertical
Gain	2.5 dBd - 4.65 dBi
SWR @ res. freq.	see diagram
Bandwidth @ SWR≤1.5	see diagram
Max Power (CW) @30°C	150 Watts
Connector	N-female, gold plated central pin

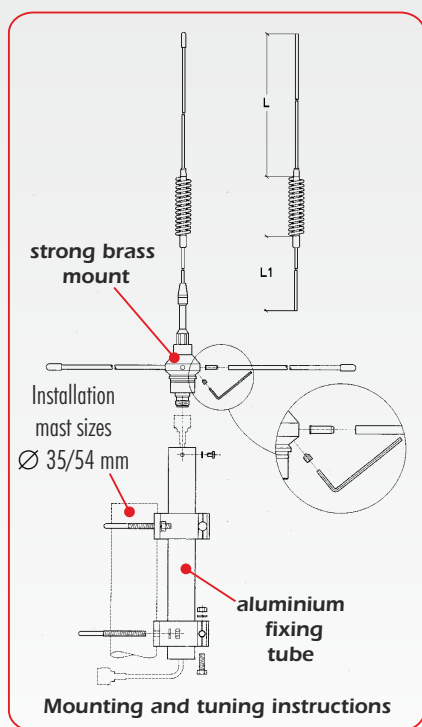
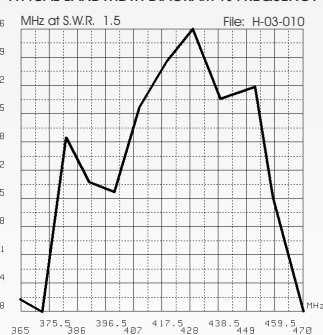
Mechanical Data

Materials	Aluminium, Brass, Stainless Steel
Wind Load at 150 km/h	18 N
Wind Resistance	180 Km/h, 112 mi/h
Wind Surface	0.02 m ² , 0.21 ft
Height (approx.)	990 mm, 3.3 ft
Weight (approx.)	730 gr, 1.6 lb
Radial Length (approx.)	200 mm, 0.66 ft
Mounting Mast	∅ 35-54 mm, 1.4-2.1 in
P/N	2102105.00

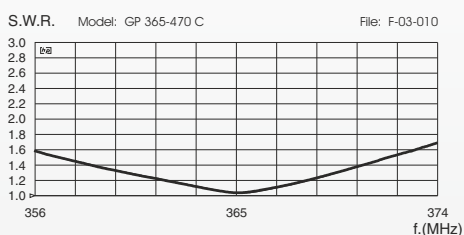
TYPICAL MATCHING DIAGRAM vs FREQUENCY



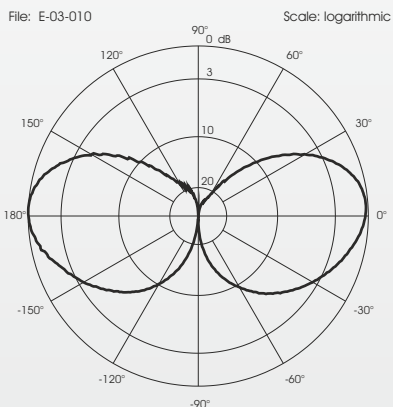
TYPICAL BANDWIDTH DIAGRAM vs FREQUENCY



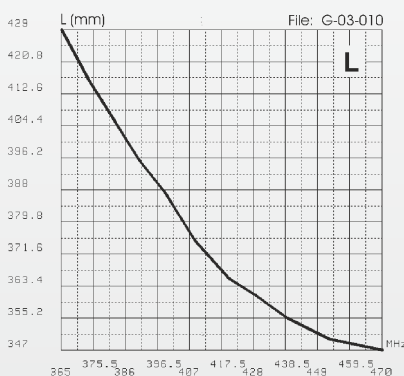
TYPICAL S.W.R. RESPONSE



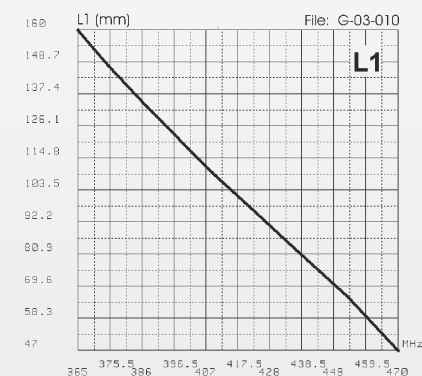
TYPICAL RADIATION PATTERN IN E-plane at 435 MHz



TYPICAL TUNING DIAGRAM vs FREQUENCY



TYPICAL TUNING DIAGRAM vs FREQUENCY



* Use the curves just as a guide. For fine-tuning please use an SWR-meter



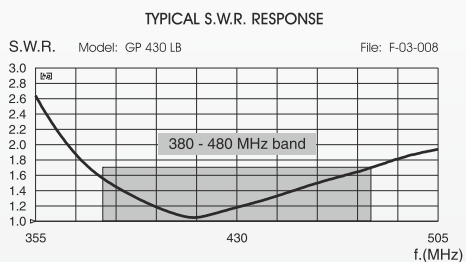
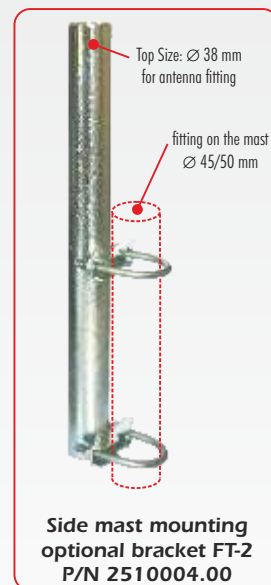
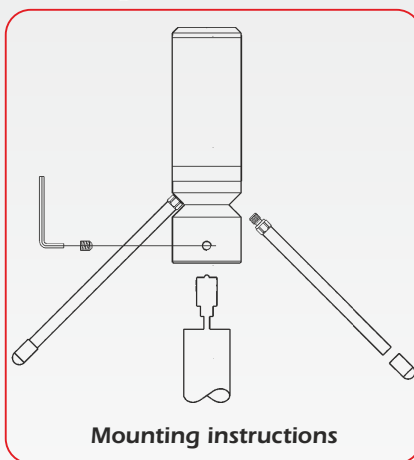
GP 430 LB

Ground Plane Large Band 380-480 MHz

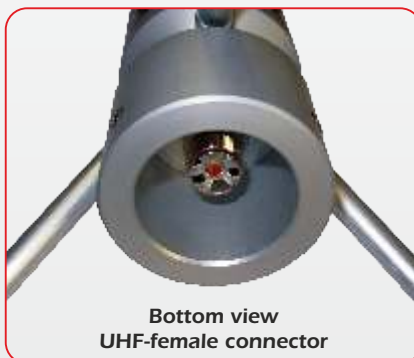
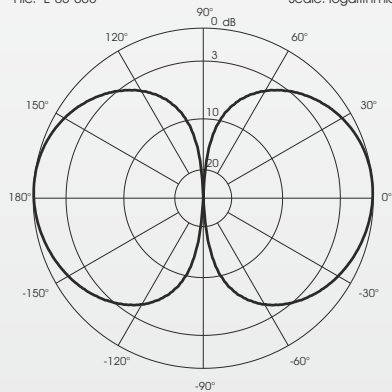
Features:

- # Base station antenna, Wide-band
- # Unity-gain, Omnidirectional
- # Protection from static discharges DC-Ground
- # Made of anodized aluminium alloy
- # Protection against the worst weather conditions
- # Radials locking system "screw-on"
- # Stainless steel hardware
- # Side mast mounting allowed by optional bracket FT-2 code 2510004.00

Electrical Data	GP 430 LB
Type	1/4 λ. Ground Plane Large Band
Design Frequency @ SWR ≤ 1.7	380 - 480 MHz
Impedance	50 Ω
Radiation (H-plane)	360° Omnidirectional
Radiation (E-plane)	Beamwidth @ -3dB = 80°
Radiation angle deg.	0°
Polarization	Linear Vertical
Gain	0 dBd - 2.15 dBi
Max Power (CW) @ 30°C	300 Watts
Grounding Protection	All metal parts are DC-grounded, inner conductor shows a DC short
Connector	UHF-female or N-female
Mechanical Data	
Materials	Anodized Aluminium, Nylon, Stainless steel
Wind Load at 150 km/h	18 N
Wind Resistance	180 Km/h, 112 mi/h
Wind Surface	0.02 m ² , 0.21 ft
Height (approx.)	295 mm, 0.96 ft
Weight (approx.)	830 gr, 1.8 lb
Radial Length (approx.)	200 mm, 0.66 ft
Mounting Mast	∅ 36-40 mm, 1.4-1.57 in
P/N with "UHF" connector	2103701.00
P/N with "N" connector	2103701.00/N



TYPICAL RADIATION PATTERN in E-plane at mid-band
File: E-03-008 Scale: logarithmic





WD 380-N

Wide-band Dipole 380-470 MHz

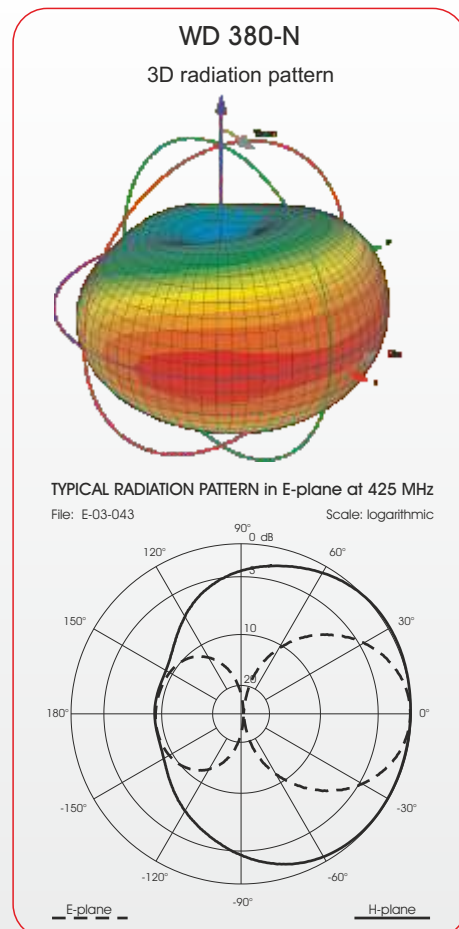
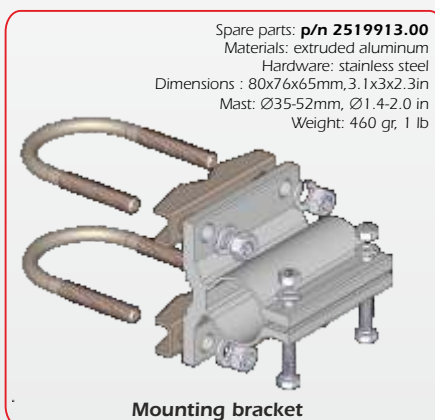
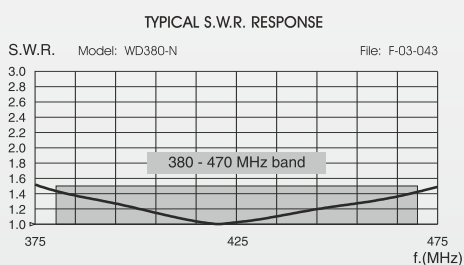
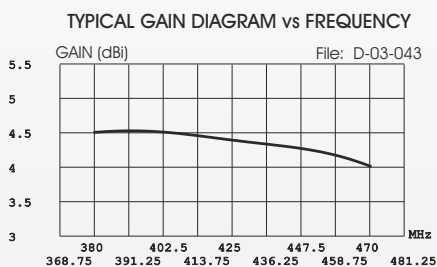
Features:

- # Base station antenna, Directional,
- # Wide band, no tuning required
- # Exclusive feed system
- # Made of anodized 6063-T5 aluminium
- # Extruded aluminium bracket, rear mounting
- # N female connector protected by EPDM rubber cap for RG58 or RG213 cables

Electrical Data	WD 380-N
Type	Dipole
Frequency Range @ SWR ≤ 1.5	380 - 470 MHz
Impedance	50 Ω
Radiation (H-plane) beamwidth @ -3 dB	200°
Radiation (E-plane) beamwidth @ -3 dB	68°
Front to back ratio	≥ 8 dB
Polarization	Linear Vertical
Gain	2.35 dBd - 4.5 dBi
Max Power (CW) @30°C	150 Watts
Grounding Protection	All metal parts are DC-grounded, inner conductor shows a DC short
Connector	N-female with rubber protection cap

Mechanical Data

Materials	Anodized 6063-T5 Aluminium, EPDM rubber, thermoplastic UV stabilized, Nichel Plated Brass
Wind Load @ 150 km/h	48 N
Wind Resistance	200 Km/h, 124 mi/h
Wind Surface	0.033 m ² , 0.35 ft ²
Dimensions W x H (approx.)	380 x 340 mm, 1.25 x 1.1 ft
Turning radius (approx.)	240 mm, 0.8 ft
Weight (approx.)	950 gr, 2.1 lb
Operating temperature	-40° C to +60° C
Mounting Mast	∅ 35 - 52 mm, 1.4 - 2 in
Boom Diameter / Element Diameter	∅ 32 mm, 1.25 in / ∅ 24 mm, 0.95 in
P/N	2113301/380





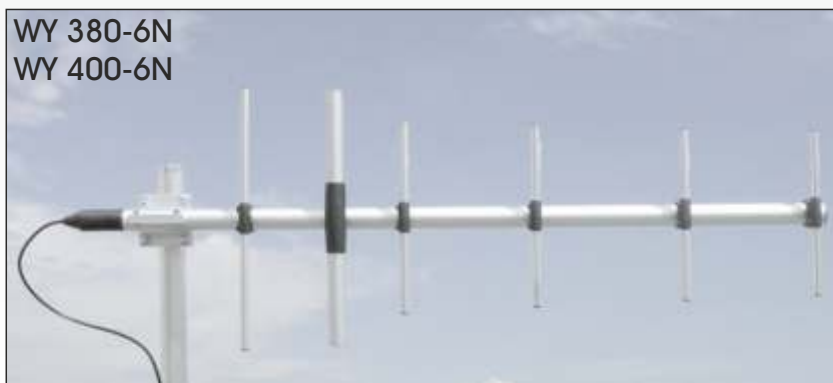
WY SERIES

PATENTED Wide-band Yagi 300-500 MHz



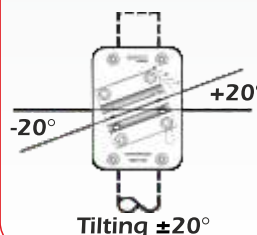
WIDE-BAND YAGI

New feed system for High simmetrical pattern
Completely computer designed for the best performances
PATENT applied



Optional Tilting bracket P/N 2519803.00

Materials & Hardware: zinc plated steel
Dimensions: 110 x 150 x 6 mm.
Weight: 800 gr



Standard Mounting bracket

Spare parts: **p/n 2519913.00**

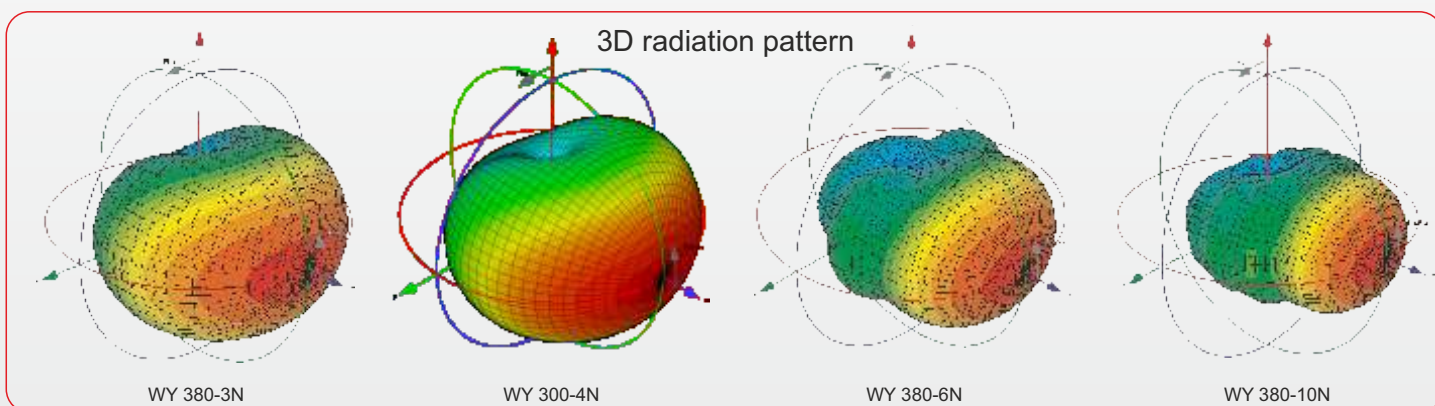
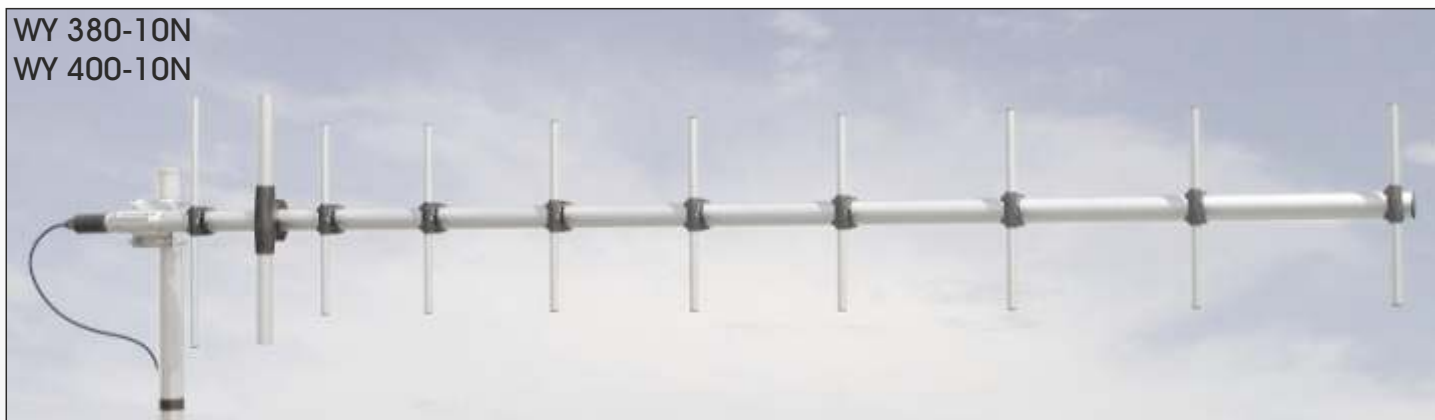
Materials: extruded aluminum

Hardware: stainless steel

Mast: Ø35-52mm, Ø1.4-2.0 in

Dimensions : 80x76x65mm, 3.1x3x2.3in

Weight: 460 gr, 1 lb





WY SERIES

Wide-band Yagi 300-500 MHz **PATENTED**

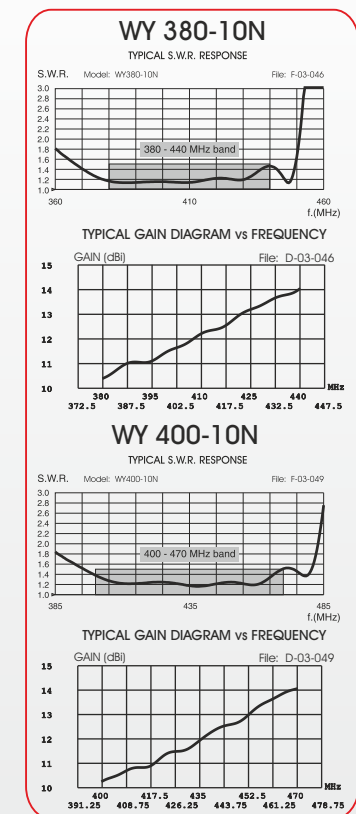
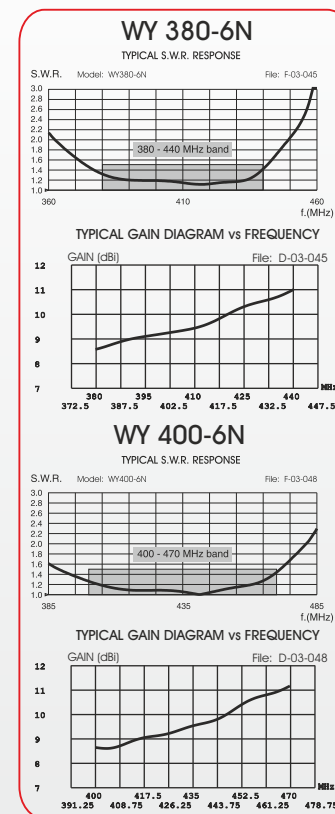
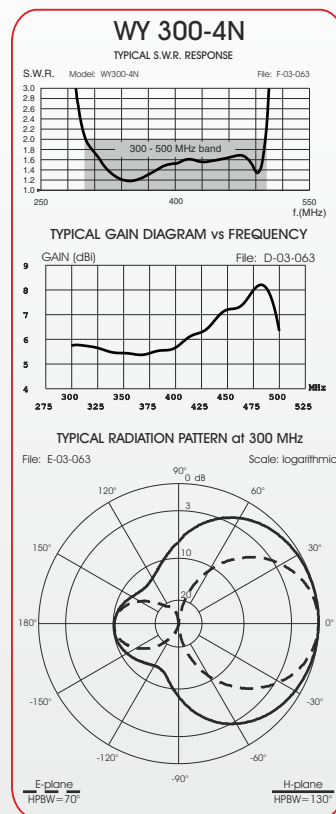
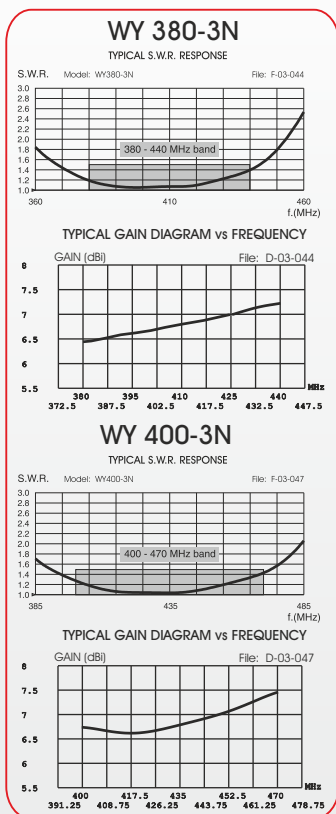
Features:

- # Wide-band directional base station antenna
- # PATENT applied: exclusive feed system conceived for the highly symmetrical radiation pattern in both planes (E and H)
- # Completely computer designed to get the best performance of gain and front-to-back ratio in the band of interest
- # Made of anodized 6063-T5 aluminium, extruded aluminium bracket, rear mounting, Optional tilting bracket
- # N female connector protected by EPDM rubber cap for RG58 or RG213 cables; Stacked & bayed array for higher gain

Electrical Data	WY 380-3N	WY 400-3N	(new) WY 300-4N	WY 380-6N	WY 400-6N	WY 380-10N	WY 400-10N
Type	3 elements Yagi		4 elements Yagi	6 elements Yagi		10 elements Yagi	
Frequency Range @ SWR ≤ 1.5 @ SWR ≤ 2.0	380-440MHz /	400-470MHz /	/ 300-500MHz	380-440MHz /	400-470MHz /	380-440MHz /	400-470MHz /
Impedance	50 Ω						
Radiation (H-plane) beamwidth @-3dB	125°	125°	150° @ 400 MHz	70°	70°	50°	50°
Radiation (E-plane) beamwidth @-3dB	65°	65°	60° @ 400 MHz	55°	55°	45°	45°
Front to back ratio	≥ 17 dB	≥ 17 dB	≥ 9 dB	≥ 17 dB	≥ 17 dB	≥ 18 dB	≥ 18 dB
Polarization	Linear Vertical or Horizontal						
Gain	4.85 dBd - 7 dBi	4.85 dBd - 7 dBi	5.85 dBd - 8 dBi	8.85 dBd - 11 dBi	8.85 dBd - 11 dBi	11.85 dBd - 14 dBi	11.85 dBd - 14 dBi
Max Power (CW) @ 30°C	150 Watts						
Grounding Protection	All metal parts are DC-grounded, the inner conductor shows a DC short						
Connector	N-female with rubber protection cap						

Mechanical Data

Materials	Anodized 6063-T5 Aluminium, EPDM rubber, thermoplastic UV stabilized, Nichel Plated Brass						
Wind Load @ 150 km/h	65 N	63 N	60 N	100 N	96 N	150 N	142 N
Wind Resistance	180 Km/h, 112 mi/h	180 Km/h, 112 mi/h	180 Km/h, 112 mi/h	150 Km/h, 93 mi/h	150 Km/h, 93 mi/h	120 Km/h, 75 mi/h	120 Km/h, 75 mi/h
Wind Surface	0.048 m ² , 0.51 ft ²	0.047 m ² , 0.50 ft ²	0.048 m ² , 0.51 ft ²	0.078 m ² , 0.83 ft ²	0.075 m ² , 0.80 ft ²	0.121 m ² , 1.30 ft ²	0.115 m ² , 1.23 ft ²
Dimensions W x H (approx.)	565x400mm, 1.9x1.3ft	525x375mm, 1.7x1.2ft	600x480mm, 2.0x1.57 ft	1180x400mm, 3.9x1.3ft	1130x375mm, 3.7x1.2ft	2125x400mm, 7.0x1.3ft	2000x375mm, 6.6x1.2ft
Turning radius (approx.)	460 mm, 1.5 ft	420 mm, 1.4 ft	470 mm, 1.54 ft	1050 mm, 3.5 ft	1000 mm, 3.3 ft	1990 mm, 6.5 ft	1860 mm, 6.1 ft
Weight (approx.)	1130 gr, 2.5 lb	1100 gr, 2.4 lb	1300 gr, 2.87 lb	1540 gr, 3.5 lb	1490 gr, 3.3 lb	2120 gr, 4.7 lb	2040 gr, 4.5 lb
Operating temperature	-40° C to +60° C						
Mounting Mast	∅ 35 - 52 mm, 1.4-2.0 in						
Boom / Dipole / Element Diameter	∅ 32 mm, 1.3 in / ∅ 24 mm, 0.95 in / ∅ 12 mm, 0.5 in						
P/N	2113501/380	2113501/400	2113801/300	2113601/380	2113601/400	2113701/380	2113701/400





SPO SERIES

Sirio Professional Omni 350-470 MHz

WIDE-BAND Fiberglass dipole and colinear



Easy and robust installation on vertical mast



Standard Fixing brackets:

Spare parts: **p/n 2519613.00**
Materials: extruded aluminum
Hardware: stainless steel
Mast: Ø35-54mm, Ø1.4-2.1 in
Dimensions : 80x76x25mm,
3.1x3x1 in
Weight: 220 gr, 0.5 lb

Horizontal mast

**Optional bracket:
(antenna height
2m / 6.5ft MAX)**

Spare parts: **p/n 2519913.00**
Materials: extruded aluminum
Hardware: stainless steel
Mast: Ø35-52mm, Ø1.4-2.0 in
Dimensions : 80x76x65mm,
3.1x3x2.3 in
Weight: 460 gr, 1 lb



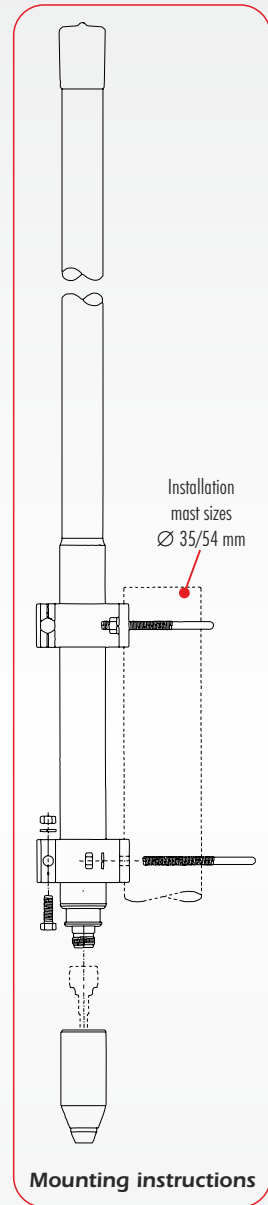
SPO 380-2
Dipole



SPO 350-5
SPO 380-5
SPO 420-5
Colinear



SPO 380-8
SPO 400-8
SPO 420-8
SPO 440-8
Colinear



Mounting instructions



SPO SERIES

Sirio Professional Omni 350-470 MHz

Features:

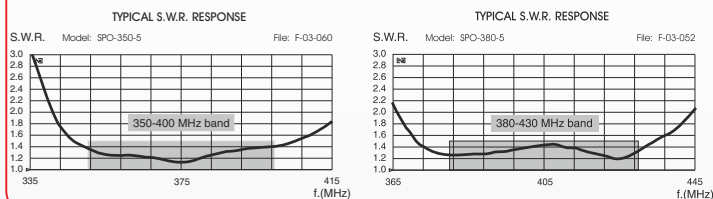
- # Fiberglass wide-band omnidirectional base station antenna. No tuning required
- # SPO 380-2: Unity-gain; SPO 350/380/420-5: Medium-gain; SPO 380/400/420/440-8: High-gain
- # Perfect protection against the worst weather conditions; Protection from static discharges DC-Ground
- # Designed to work without Ground Plane; Stainless steel hardware

Electrical Data	SPO 380-2	SPO 350-5	SPO 380-5	SPO 420-5	SPO 380-8	SPO 400-8	SPO 420-8	SPO 440-8
Type	Dipole	Colinear						
Frequency Range @ SWR ≤ 1.5	380-470 MHz	350-400 MHz	380-430 MHz	420-470 MHz	380-406 MHz	400-430 MHz	420-450 MHz	440-470 MHz
Impedance	50 Ω							
Radiation (H-plane)	360° Omnidirectional							
Radiation (E-plane) beamwidth @ -3 dB	78°	40°	40°	40°	14°	14°	14°	14°
Polarization	Linear Vertical							
Gain	0 dBd - 2.15 dBi	3 dBd - 5.15 dBi	3 dBd - 5.15 dBi	3 dBd - 5.15 dBi	6 dBd - 8.15 dBi	6 dBd - 8.15 dBi	6 dBd - 8.15 dBi	6 dBd - 8.15 dBi
Max Power (CW) @ 30° C	75 Watts							
Grounding Protection	All metal parts are DC-grounded, the inner conductor shows a DC short							
Connector	N-female with rubber protection cap							

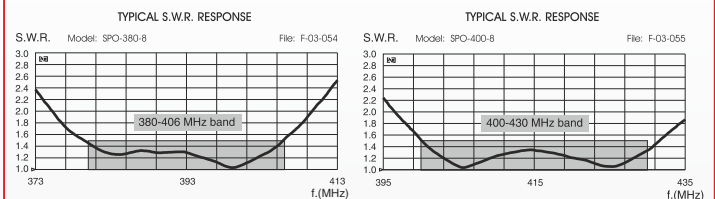
Mechanical Data

Materials	White cylindrical fiberglass radome Ø 28.6 mm, anodized 6063-T5 aluminium, brass, stainless steel, copper, EPDM rubber							
Wind Load @ 150 km/h	33 N	53 N	53 N	53 N	104 N	104 N	98 N	93 N
Wind Resistance	200Km/h, 124mi/h	180Km/h, 112mi/h	180Km/h, 112mi/h	180Km/h, 112mi/h	150Km/h, 93mi/h	150Km/h, 93mi/h	150Km/h, 93mi/h	150Km/h, 93mi/h
Wind Surface	0.027m ² , 0.29ft ²	0.044m ² , 0.47ft ²	0.044m ² , 0.47ft ²	0.044m ² , 0.47ft ²	0.089m ² , 0.95ft ²	0.089m ² , 0.95ft ²	0.083m ² , 0.88ft ²	0.079m ² , 0.84ft ²
Height (approx.)	780 mm, 2.55 ft	1380 mm, 4.5 ft	1380 mm, 4.5 ft	1380 mm, 4.5 ft	2940 mm, 9.6 ft	2940 mm, 9.6 ft	2740 mm, 9 ft	2590 mm, 6 ft
Weight (approx.)	890 gr, 2 lb	1240 gr, 2.73 lb	1215 gr, 2.7 lb	1200 gr, 2.6 lb	2040 gr, 4.5 lb	2020 gr, 4.5 lb	1935 gr, 4.3 lb	1850 gr, 4.1 lb
Operating temperature	-40° C to +80° C							
Mounting Mast	Side vertical mast whit "V" bolt Ø 35 - 54 mm, Ø 1.4 - 2.1 in							
P/N	2115020/380	2115120/350	2115120/380	2115120/420	2115320/380	2115320/400	2115320/420	2115320/440

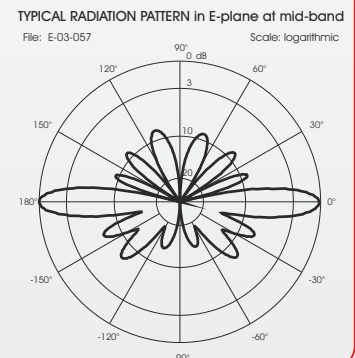
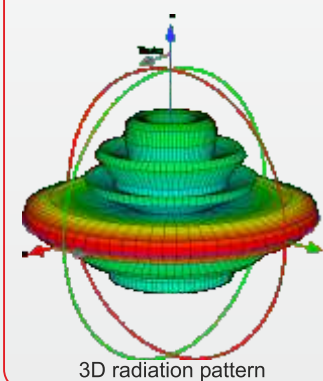
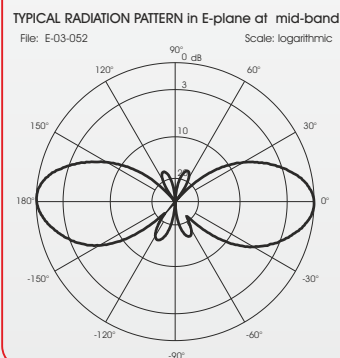
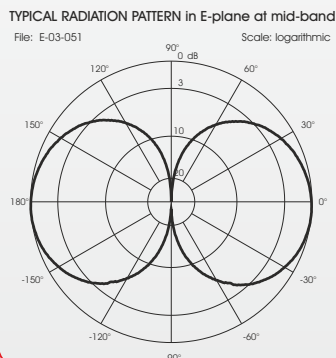
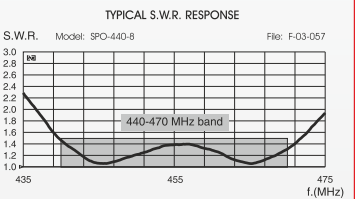
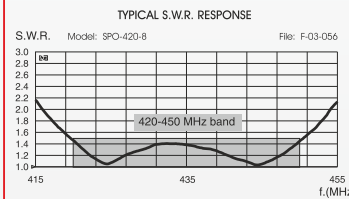
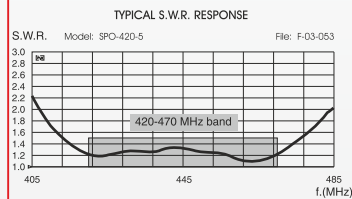
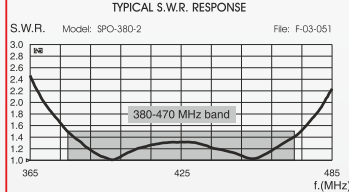
SPO ...-5 series



SPO ...-8 series



SPO 380-2





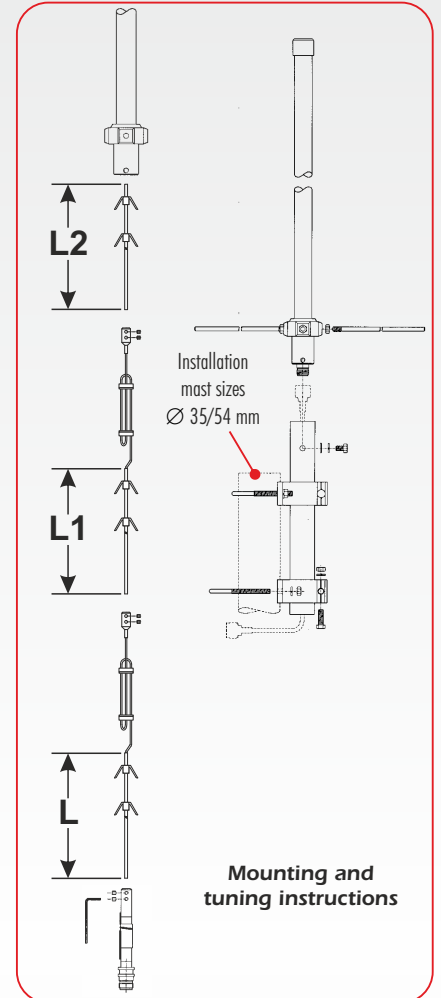
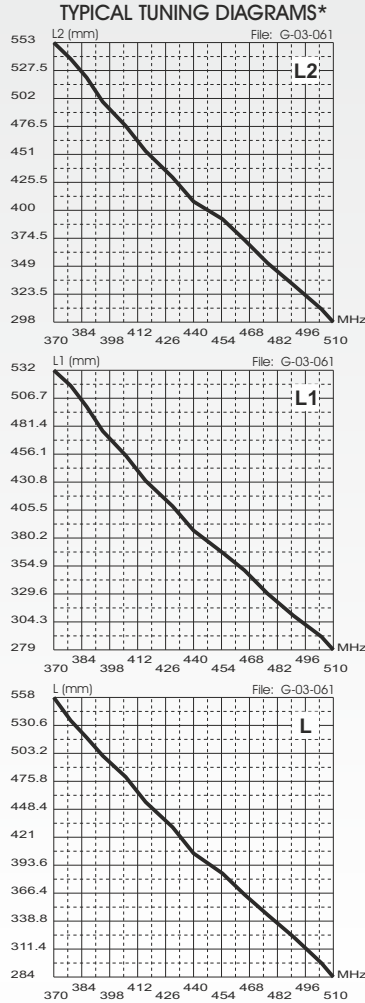
GPF 703 N

Ground Plane Fiber 370...510 MHz

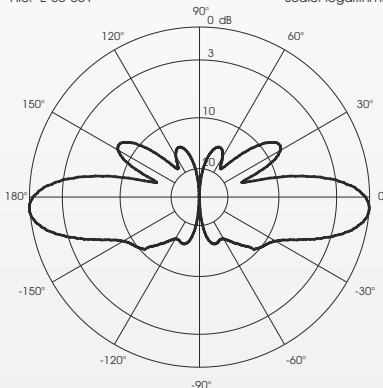
Features:

- # Base station antenna, Mono-band
- # Low-gain, Omnidirectional
- # Tunable by whip cutting
- # Protection from static discharges DC-Ground
- # Stainless steel hardware and radials
- # Equipped with anodized aluminium bracket for an easy side mast installation
- # High quality whip made of brass and copper protected by fiberglass tube

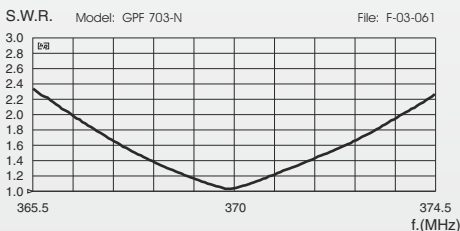
Electrical Data	GPF 703 N
Type	3 X 5/8 λ Ground Plane
Frequency Range	tunable 370...510 MHz
Impedance	50 Ω
Radiation (H-plane)	360° Omnidirectional
Radiation (E-plane)	Beamwidth @ -3dB = 25°
Radiation angle deg.	-2°
Polarization	Linear Vertical
Gain	4.6 dBd - 6.75 dBi
SWR @ res. freq.	see diagram
Bandwidth @ SWR ≤ 2	see diagram
Max Power (CW) @ 30°C	200 Watts
Grounding Protection	All metal parts are DC-grounded, inner conductor shows a DC short
Connector	N-female, gold plated central pin
Mechanical Data	
Materials	Fiberglass, Aluminium, Brass
Wind Load @150 km/h	64 N
Wind Resistance	160 Km/h, 99 mi/h
Wind Surface	0.055 m ² , 0.58 ft ²
Height (approx.)	2230 mm, 7.32 ft
Weight (approx.)	1160 gr, 2.56 lb
Radial Length (approx.)	170 mm, 0.56 ft
Mounting Mast	∅ 35-54 mm, ∅ 1.4-3.1 in
P/N	2109620.00



TYPICAL RADIATION PATTERN in E-plane at 440 MHz
File: E-03-061 Scale: logarithmic

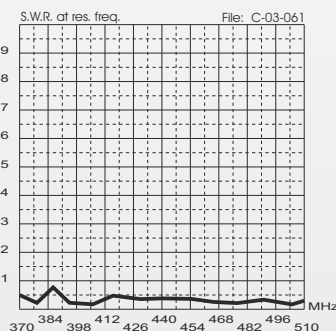


TYPICAL S.W.R. RESPONSE

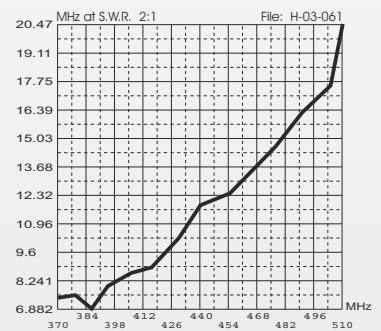


NEW MODEL

TYPICAL MATCHING DIAGRAM vs FREQUENCY



TYPICAL BANDWIDTH DIAGRAM vs FREQUENCY





SA 703-N

SA 705-N

Sirio Amateur 70cm band

Features:

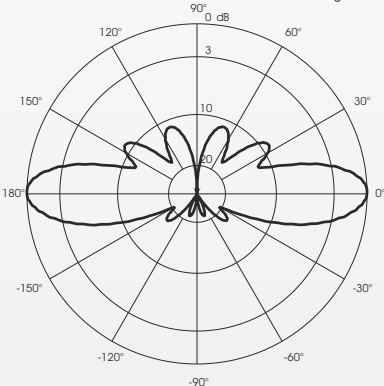
- # Base station antenna, Mono-band
- # High-gain, Omnidirectional
- # Protection from static discharges DC-Ground
- # Stainless steel hardware and radials
- # Equipped with anodized aluminium bracket
- # High quality fiberglass radiator made of brass and copper

Electrical Data	SA 703-N	SA 705-N 345-360	SA 705-N 427-443	SA 705-N 446
Type	3 x 5/8 λ Ground Plane Colinear	5 x 5/8 λ Ground Plane Colinear	5 x 5/8 λ Ground Plane Colinear	5 x 5/8 λ Ground Plane Colinear
Frequency Range @ SWR≤2	427-443 MHz	345 - 360 MHz	427-443 MHz	438-454 MHz
Impedance	50 Ω			
Radiation (H-plane)	360° Omnidirectional			
Radiation (E-plane)	Beamwidth @ -3 dB = 24°	Beamwidth @ -3 dB = 17°	Beamwidth @ -3 dB = 17°	Beamwidth @ -3 dB = 17°
Radiation angle deg.	0°	-1.5°	-1.5°	-1.5°
Polarization	Linear Vertical			
Gain	4.6 dBd - 6.75 dBi	7.1 dBd - 9.25 dBi	7.1 dBd - 9.25 dBi	7.1 dBd - 9.25 dBi
Max Power (CW) @30°C	200 Watts			
Grounding Protection	All metal parts are DC-grounded, the inner conductor show a DC-short	All metal parts are DC-grounded, the inner conductor show a DC-short	All metal parts are DC-grounded, the inner conductor is coupled capacitively	All metal parts are DC-grounded, the inner conductor is coupled capacitively
Connector	N-female, gold plated central pin			

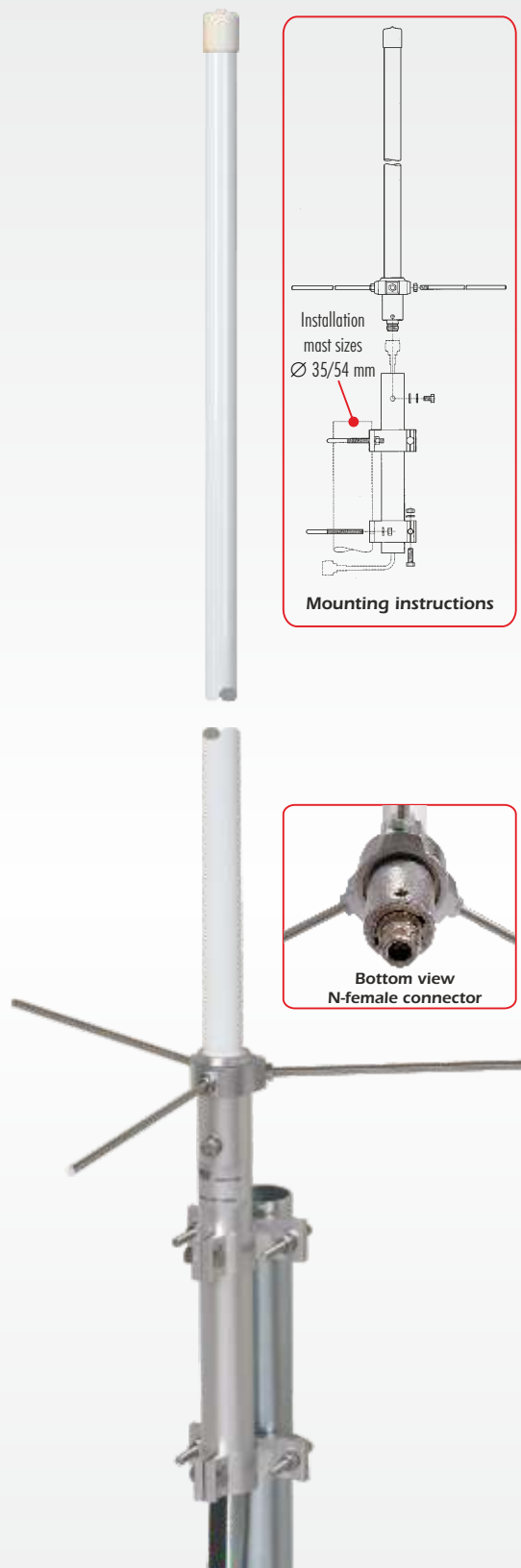
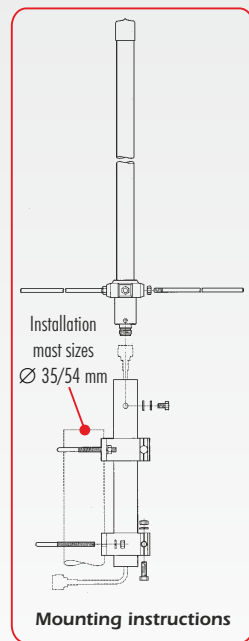
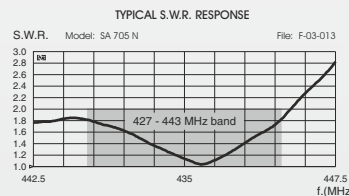
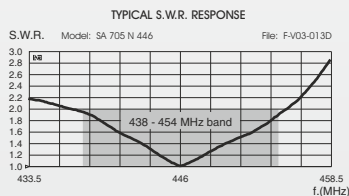
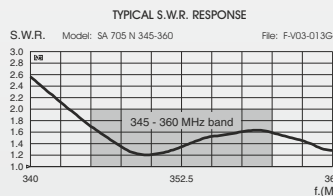
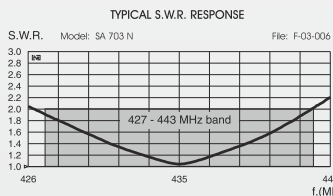
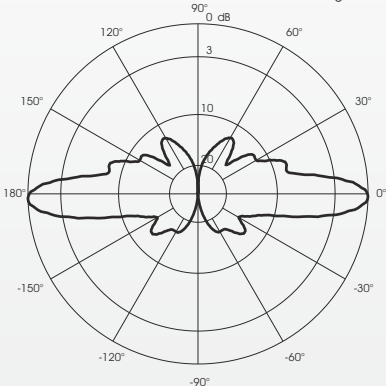
Mechanical Data

Materials	Fiberglass, Aluminium Stainless Steel, Brass			
Wind Load @ 150 km/h	56 N	90 N	81 N	80 N
Wind Resistance	180 Km/h; 112 mi/h	150 Km/h; 93 mi/h	150 Km/h; 93 mi/h	150 Km/h; 93 mi/h
Wind Surface	0.05 m ² ; 0.53 ft ²	0.08 m ² ; 0.86 ft ²	0.07 m ² ; 0.75 ft ²	0.07 m ² ; 0.75 ft ²
Height (approx.)	1780 mm; 5.8 ft	3230 mm; 10.6 ft	2770 mm; 9.1 ft	2720 mm; 8.9 ft
Weight (approx.)	900 gr; 2 lb	1630 gr; 3.6 lb	1270 gr; 2.8 lb	1270 gr; 2.8 lb
Radial Length (approx.)	170 mm; 0.56 ft			
Mounting Mast	Ø 35-54 mm, 1.4-2.1 in			
P/N	2106320.00	2106820.00/345	2106820.00	2106820.00/446

TYPICAL RADIATION PATTERN in E-plane at 435 MHz
File: E-03-006 SA 703-N Scale: logarithmic



TYPICAL RADIATION PATTERN in E-plane at 435 MHz
File: E-03-013 SA 705-N Scale: logarithmic





SA 270 MN

Sirio Amateur 2m & 70 cm band

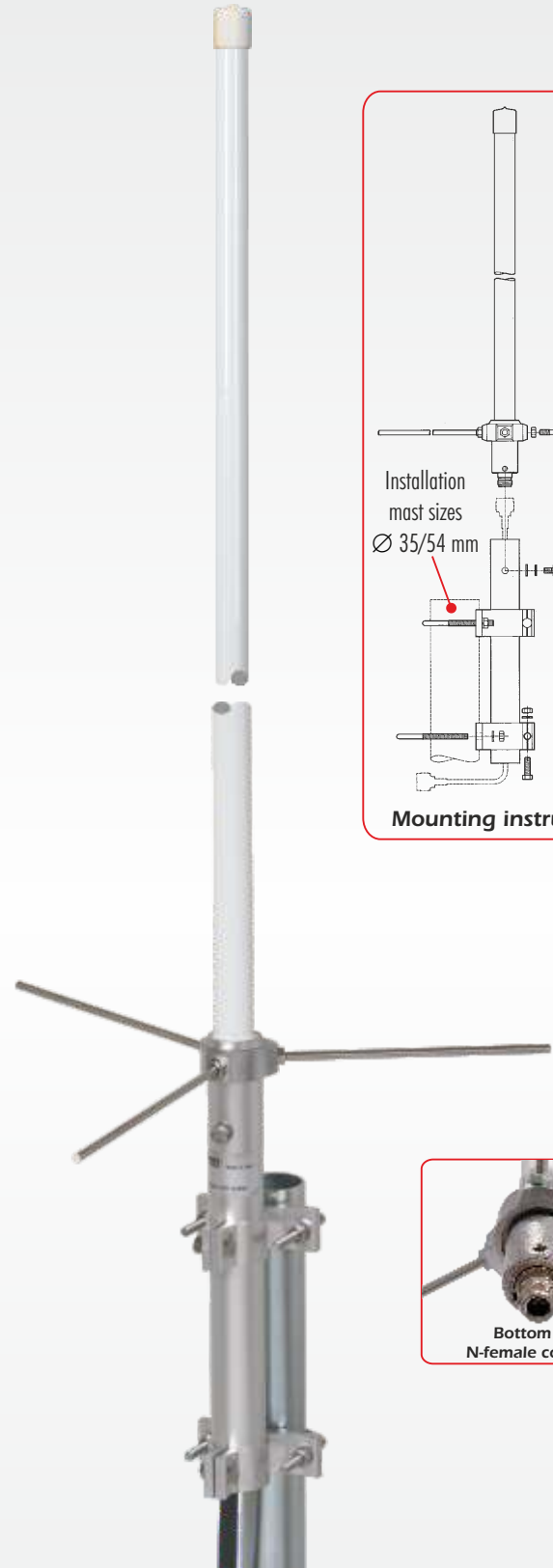
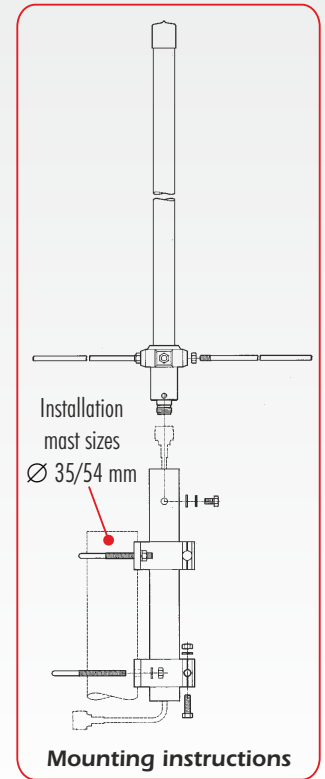
Features:

- # Base station antenna, Dual-band, Omnidirectional
- # VHF Medium-gain, UHF High-gain
- # Protection from static discharges DC-Ground
- # Stainless steel hardware and radials
- # Equipped with anodized aluminium bracket for an easy side mast installation
- # High quality whip made of brass and copper protected by fiberglass tube

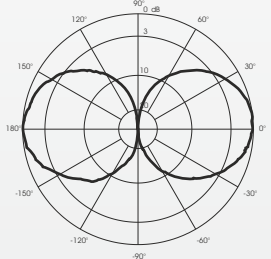
Electrical Data	SA 270 MN	SA 270 MN USA
Type	VHF: 6/8 λ UHF: 3 x 5/8 λ Colinear	
Frequency Range VHF:	142-148 MHz	143-149 MHz
@ SWR ≤2 UHF:	427-442 MHz	440-450 MHz
Impedance	50 Ω	
Radiation (H-plane)	360° Omnidirectional	
Radiation (E-plane)	Beamwidth @ -3dB = VHF: 61°, UHF: 30°	
Radiation angle deg.	0°	
Polarization	Linear Vertical	
Gain	VHF: 2 dBd - 4.15 dBi, UHF: 4.2 dBd - 6.35 dBi	
Max Power (CW)@30°C	200 Watts	
Grounding Protection	All metal parts are DC-grounded, the inner conductor is coupled capacitively	
Connector	N-female, gold plated central pin	

Mechanical Data

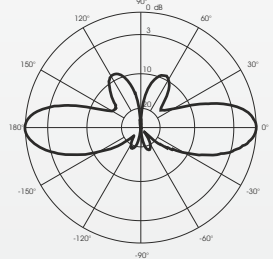
Materials	Fiberglass, Aluminium Stainless Steel, Brass	
Wind Load @ 150 km/h	55 N	
Wind Resistance	180 Km/h, 112 mi/h	
Wind Surface	0.05 m ² , 0.54 ft ²	
Height (approx.)	1720 mm, 5.6 ft	
Weight (approx.)	1030 gr, 2.3 lb	
Radial Length (approx.)	170 mm, 0.56 ft	
Mounting Mast	Ø 35-54 mm, 1.4-2.1 in	
P/N	2103420.00	2103420.00/USA



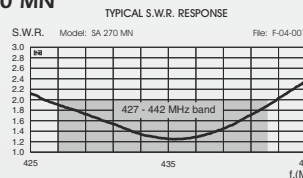
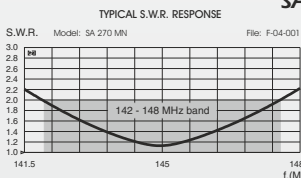
TYPICAL RADIATION PATTERN in E-plane at 145 MHz
File: E-04-001 Scale: logarithmic



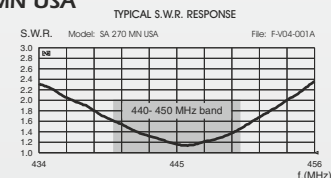
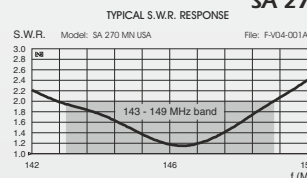
TYPICAL RADIATION PATTERN in E-plane at 435 MHz
File: E-04-001 Scale: logarithmic



SA 270 MN



SA 270 MN USA





HGO 433 & 868

High-Gain Omnidirectional 415-465 & 815-890 MHz

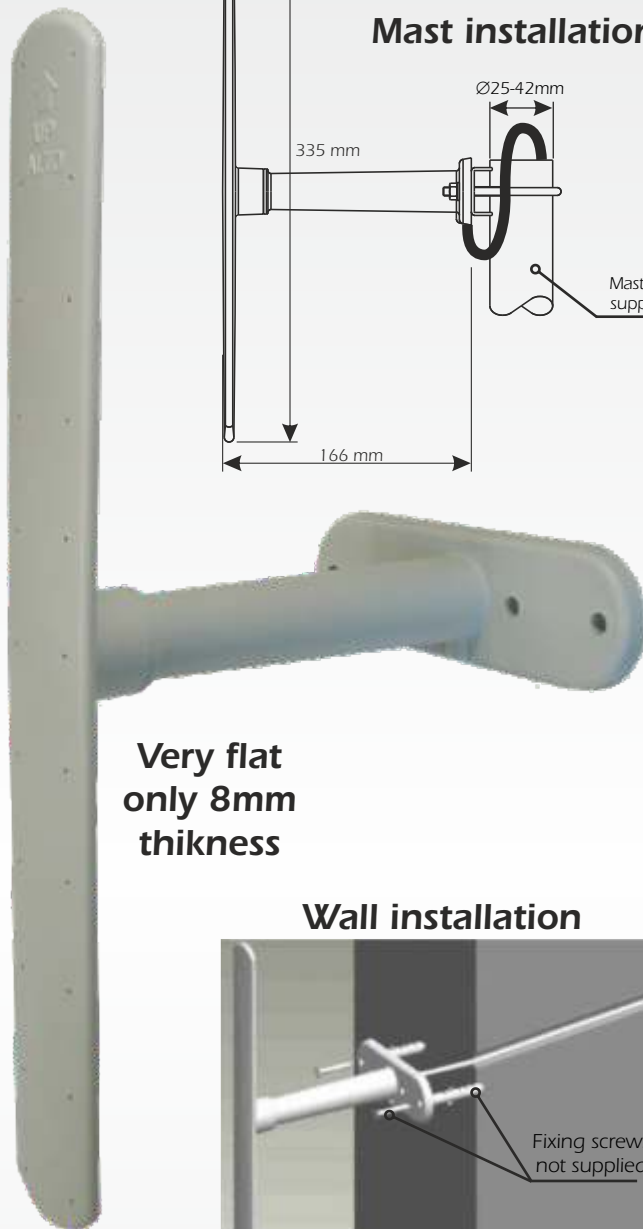
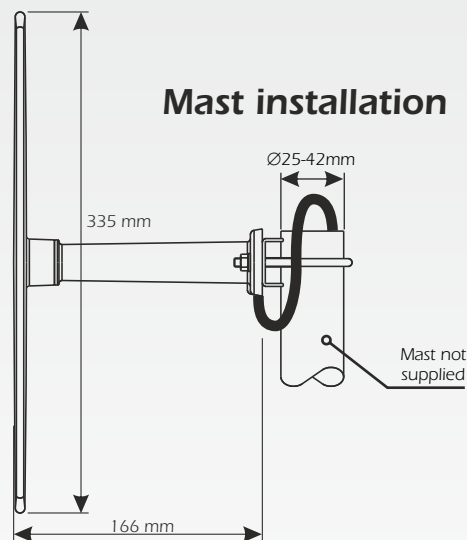
Features:

- # Flat Compact Base station antenna, Omnidirectional,
- # Dual band, no tuning required
- # High quality PCB radiator protected by thermoplastic UV stabilized thermoplastic cover
- # For ISM 433 MHz and 868 MHz

Electrical Data	HGO 433 & 868
Type	Multi Band Dipole Array
Frequency Range @ SWR ≤ 2	415-465 MHz & 815-890 MHz
Impedance	50 Ω
Radiation (H-plane)	360° Omnidirectional
Radiation (E-plane) beamwidth @ -3 dB	55° @ 433MHz; 45° @ 868 MHz
Polarization	Linear Vertical
Gain	2 dBi for 433 MHz 4 dBi for 868 MHz
Max Power (CW) @30°C	20 Watts
Cable Type	White Low Loss / 50cm or 5m
Connector	SMA-male (other type on request, acc min q.ty)

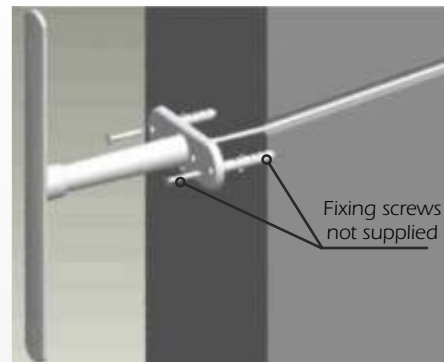
Mechanical Data

Materials	Thermoplastic UV stabilized Grey RAL 7035, galvanized steel hardware
Wind Load @ 150 km/h	36 N
Wind Resistance	200 Km/h, 124 mi/h
Wind Surface	0.02 m ² , 0.21 m ²
Dimensions (approx.)	335x166x144 mm, 1.1x0.55x0.5 ft (with bracket)
Weight (approx.)	350 gr, 0.8 lb
Operating temperature	-20° C to +60° C
Installation Type	Mast: Ø 25-42 mm, Ø 1-1.6 in with U-bolt Wall: mounting screws (not included)
P/N 50 cm cable	2154104/05CO
P/N 5 m cable	2154104/5CO



Very flat
only 8mm
thickness

Wall installation

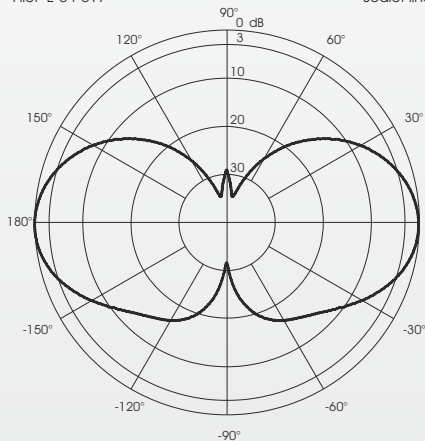


Very compact and
discrete hi-gain
omnidirectional

TYPICAL RADIATION PATTERN in E-plane at 440 MHz

File: E-04-017

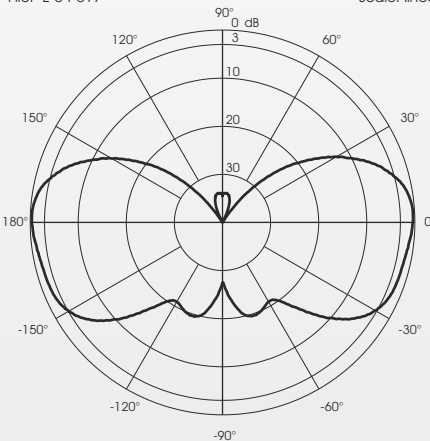
Scale: linear



TYPICAL RADIATION PATTERN in E-plane at 868 MHz

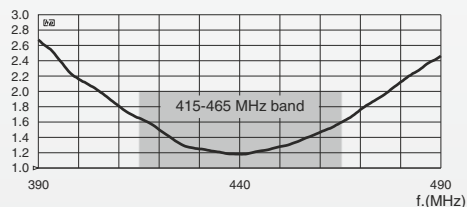
File: E-04-017

Scale: linear

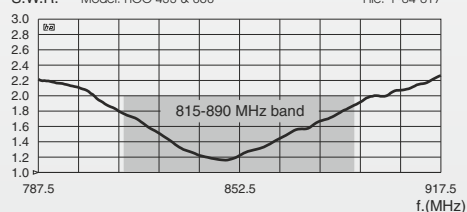


TYPICAL S.W.R. RESPONSE

S.W.R.: Model: HGO 433 & 868 File: F-04-017



S.W.R.: Model: HGO 433 & 868 File: F-04-017



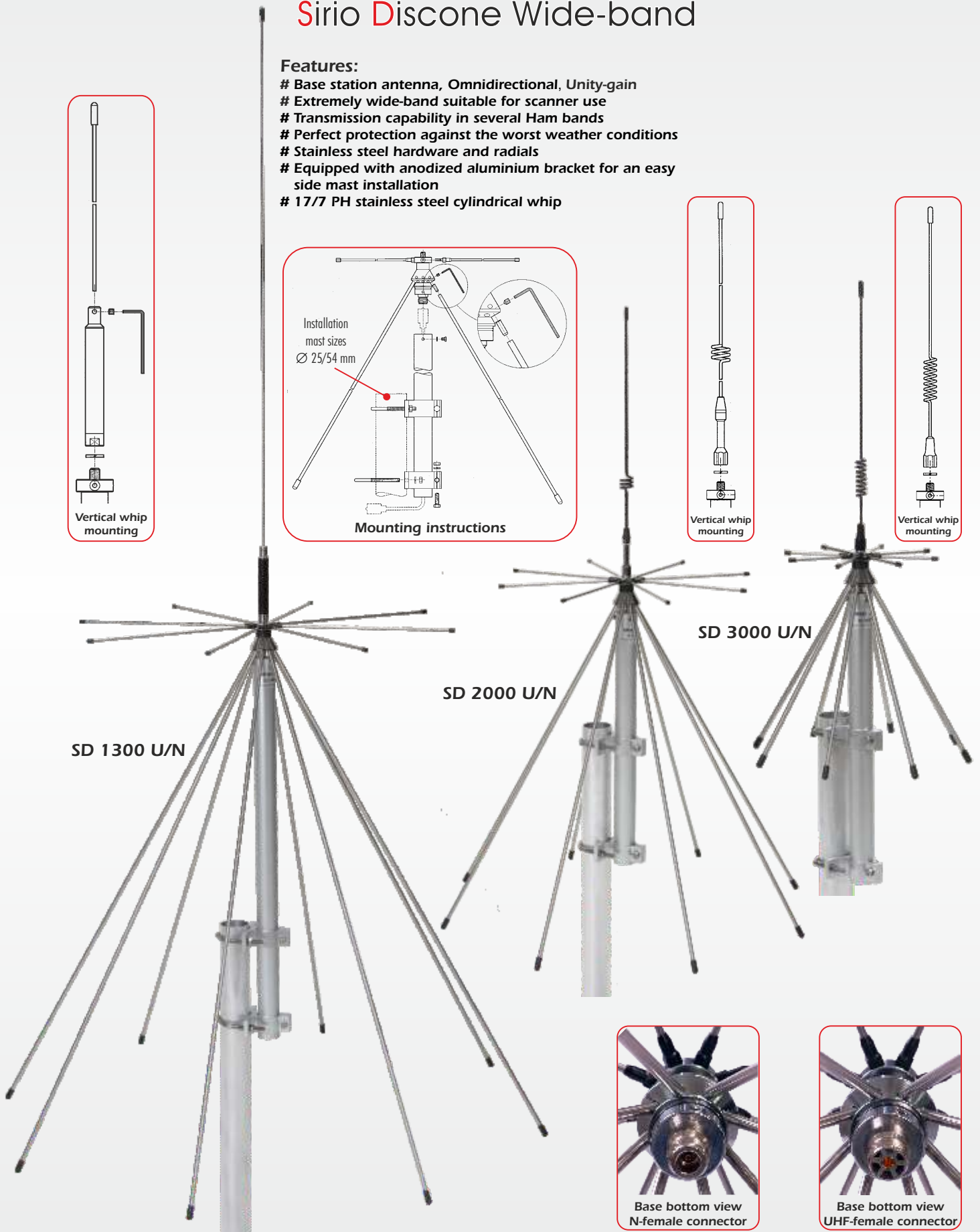
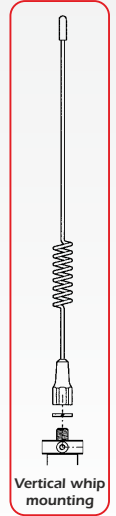
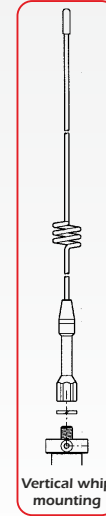
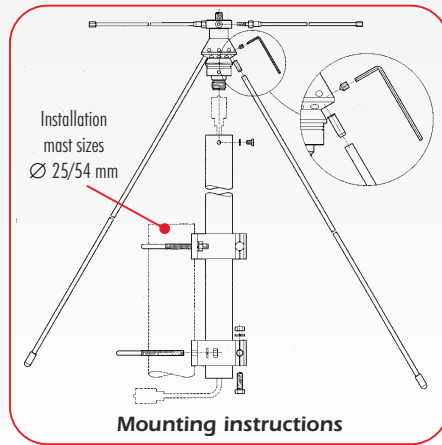
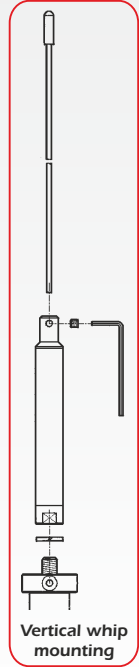


SD 1300 U/N, SD 2000 U/N, SD 3000 U/N

Sirio Discone Wide-band

Features:

- # Base station antenna, Omnidirectional, Unity-gain
- # Extremely wide-band suitable for scanner use
- # Transmission capability in several Ham bands
- # Perfect protection against the worst weather conditions
- # Stainless steel hardware and radials
- # Equipped with anodized aluminium bracket for an easy side mast installation
- # 17/7 PH stainless steel cylindrical whip





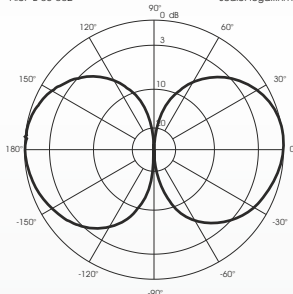
SD 1300 U/N, SD 2000 U/N, SD 3000 U/N

Sirio Discone Wide-band

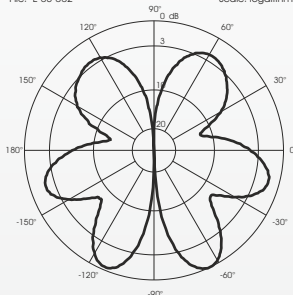
Electrical Data	SD 1300 U & SD 1300 N	SD 2000 U & SD 2000 N	SD 3000 U & SD 3000 N
Type	Discone		
Frequency Range	RX band: 25-1300 MHz TX band (@ SWR ≤ 2): 49.5-50.5, 120-180, 215-300, 415-465, 610-650, 710-1000, 1130-1300MHz	RX band: 100-2000 MHz TX band (@ SWR ≤ 2): 130-160, 215-440, 610-685, 870-960, 1070-1500, 1620-1800, 1860-2000MHz	RX band: 300-3000 MHz TX band (@ SWR ≤ 2): 340-535, 545-960, 1180-1380, 1660-1910, 1980-3000 MHz
Impedance	50 Ω		
Radiation (H-plane)	360° Omnidirectional		
Radiation (E-plane)	Frequency dependent, see the pattern		
Radiation angle deg.	Frequency dependent, see the pattern		
Polarization	Linear Vertical		
Gain	0 dBd - 2.15 dBi @ lowest frequency		
Max Power (CW) @ 30°C	VHF: 300 Watts, UHF: 200 Watts	200 Watts	200 Watts
Connector	UHF-female, gold plated central pin or N-female, gold plated central pin		
Mechanical Data			
Materials	Stainless Steel, Chromed Brass, Aluminium, Nylon		
Wind Load @ 150 km/h	66 N	44 N	32 N
Wind Resistance	130 Km/h, 80 mi/h	150 Km/h, 93 mi/h	150 Km/h, 93 mi/h
Wind Surface	0.06 m ² , 0.64 ft ²	0.04 m ² , 0.43 ft ²	0.03 m ² , 0.32 ft ²
Height (approx.)	1600 mm, 5.3 ft	900 mm, 3 ft	725 mm, 1.7 ft
Weight (approx.)	1140 gr, 2.5 lb	1020 gr, 2.3 lb	830 gr, 2.7 lb
Cone Radial Length	810 mm, 2.7 ft	550 mm, 1.8 ft	270 mm, 0.9 ft
Mounting Mast	∅ 25-54 mm, 1-2.1 in		
P/N with UHF connector	2105405.00	2109005.00	2109205.00
P/N with N connector	2105505.00	2109105.00	2109305.00

SD 1300 U/N

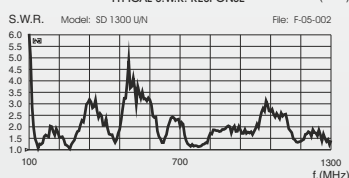
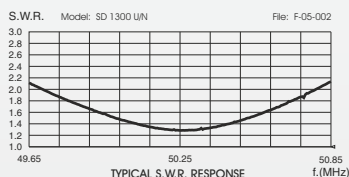
TYPICAL RADIATION PATTERN in E-plane at 145 MHz
File: E-05-002 Scale: logarithmic



TYPICAL RADIATION PATTERN in E-plane at 437 MHz
File: E-05-002 Scale: logarithmic

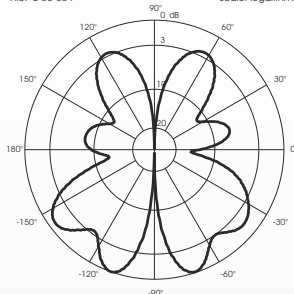


TYPICAL S.W.R. RESPONSE

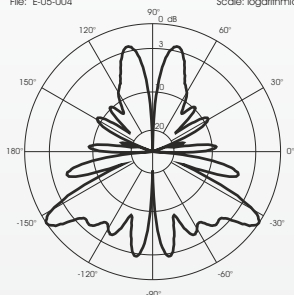


SD 2000 U/N

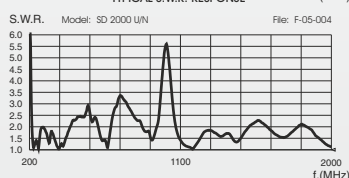
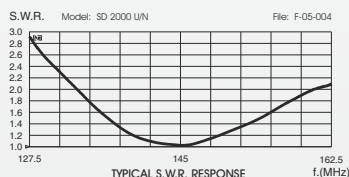
TYPICAL RADIATION PATTERN in E-plane at 915 MHz
File: E-05-004 Scale: logarithmic



TYPICAL RADIATION PATTERN in E-plane at 1800 MHz
File: E-05-004 Scale: logarithmic

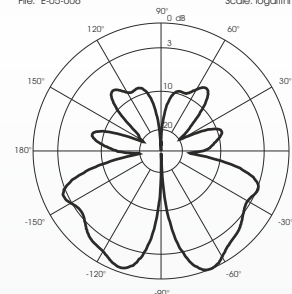


TYPICAL S.W.R. RESPONSE

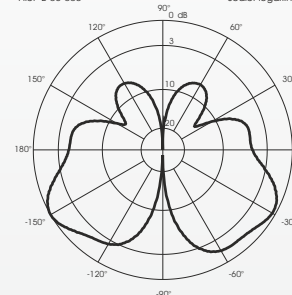


SD 3000 U/N

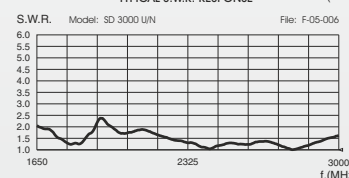
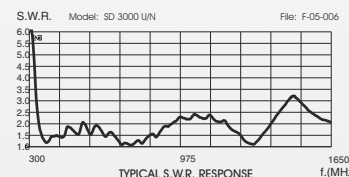
TYPICAL RADIATION PATTERN in E-plane at 1800 MHz
File: E-05-006 Scale: logarithmic



TYPICAL RADIATION PATTERN in E-plane at 915 MHz
File: E-05-006 Scale: logarithmic



TYPICAL S.W.R. RESPONSE



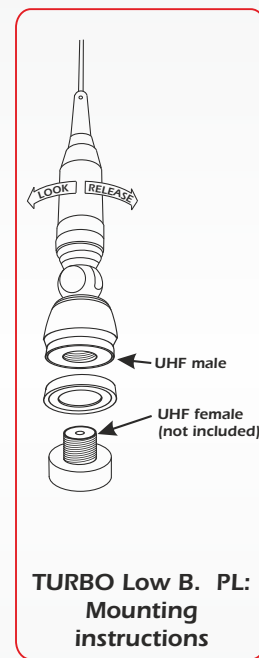
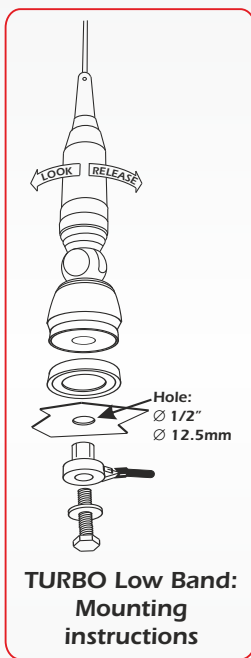
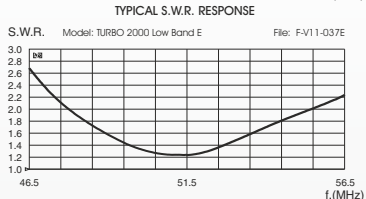
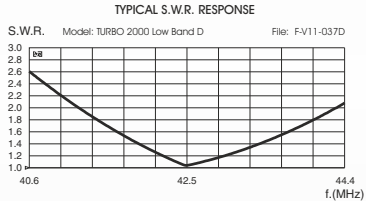
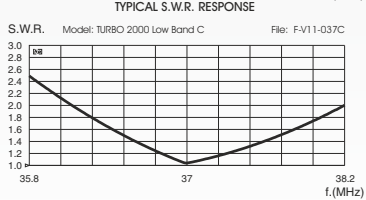
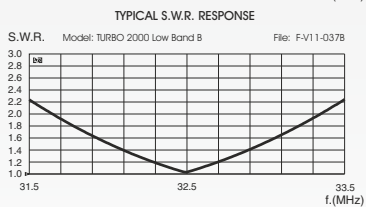
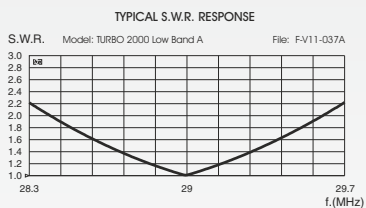


TURBO LOW BAND BLUE LINE SERIES

29...67.5 MHz

Features:

- # Mobile antenna, Mono-band, Unity-gain, Omnidirectional, Tunable by whip cutting
- # Protection from static discharges DC-Ground, 17/7 PH tapered stainless steel whip
- # 90° inclination and adjustable whip, detachable for car-washes access
- # Magnetic mount version available



Electrical Data	TURBO Low B. A type	TURBO Low B. B type	TURBO Low B. C type	TURBO Low B. D type	TURBO Low B. E type
Type	1/4 λ. Base Loaded				
Frequency Range tunable	29.0...32.5 MHz	32.5...37.0 MHz	37.0...43.0 MHz	42.5...51.5 MHz	51.5...67.5 MHz
Impedance	50 Ω				
Radiation (H-plane)	360° Omnidirectional				
Polarization	Linear Vertical				
Gain	0 dB ref to λ/4 whip				
SWR @ res. freq.	≤ 1.2 @ lower frequency				
Bandwidth @ SWR ≤ 2	≥ 1.2MHz @ 29.0 MHz	≥ 1.8MHz @ 32.5 MHz	≥ 2.1MHz @ 37.0 MHz	≥ 3.1MHz @ 42.5 MHz	≥ 7.5MHz @ 51.5 MHz
Max Power (CW) @30°C	250 Watts				
Grounding Protection	All metal parts are DC-grounded, inner conductor shows a DC short				
Connector	TURBO Low Band: NE-TURBO connection.		TURBO Low Band PL: UHF-male		
Cable Length / Type	TURBO Low Band: 4m, 13 ft / RG 58		TURBO Low Band PL: not supplied		
Mechanical Data					
Materials	Stainless Steel 17/7 PH, Chromed Brass, Nylon				
Height (approx.)	1450 mm, 4.8 ft				
Weight (approx.)	400 gr, 0.9 lb				
Mounting Hole	Ø 12.5 mm, 0.5 in (TURBO Low Band only)				
P/N TURBO Low Band	2213005.40/A	2213005.40/B	2213005.40/C	2213005.40/D	2213005.40/E
P/N TURBO Low B. PL	2213005.41/A	2213005.41/B	2213005.41/C	2213005.41/D	2213005.41/E



SMA SERIES

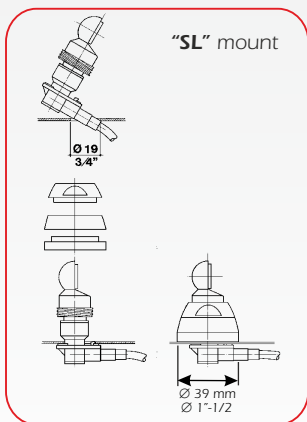
55...550 MHz

Features:

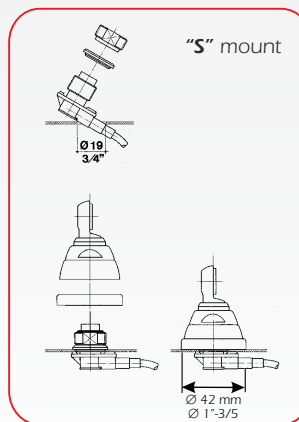
- # Mobile antenna, Mono-band, Unity-gain, Omnidirectional, Tunable by whip cutting
- # SMA: 17/7 PH stainless steel whip
- # SMA 108-550 PL: suitable for fitting on magnetic mounts, angular connectors, or portable transceiver



SMA 42-50



SMA 55-550
SMA 108-550



SMA 108-550 PL

Electrical Data	SMA 42-50	SMA 55-550	SMA 108-550	SMA 108-550 PL
Type			1/4 λ	
Frequency Range tunable	42...50 MHz	55...550 MHz	108...550 MHz	108...550 MHz
Impedance	50 Ω			
Radiation (H-plane)	360° Omnidirectional			
Polarization	Linear Vertical			
Gain	0 dB ref. to λ/4 whip			
SWR @ res. freq.	≤ 1.3 @ 42 MHz	≤ 1.4 @ 55 MHz	≤ 1.8 @ 108 MHz	≤ 1.4 @ 108 MHz*
Bandwidth @ SWR ≤ 2	≥ 3.8 MHz @ 42 MHz	≥ 8.2 MHz @ 55 MHz	≥ 5.2 MHz @ 108 MHz	≥ 11MHz @ 108MHz*
Max Power (CW) @30°C	200 Watts	100 Watts	100 Watts	100 Watts
Standar Mount	"S" type	"SL" type	"SL" type	/
Cable Lenght / Type	5 m, 16.4 ft / RG 58			/
Alternative mount	/	"S" type, 0...300 MHz only or magnetic mount PM-125 S		/
Connector	/			UHF-male (PL259)
Mechanical Data				
Materials	Stainless steel 17/7 PH, Chromed			
Height (approx.)	1710 mm, 5.6 ft	1360 mm, 4.5 ft	Brass, Nylon 720 mm, 2.4 ft	663 mm, 2.2 ft
Weight (approx.)	400 gr, 0.9 lb	400 gr, 0.9 lb	400 gr, 0.9 lb	55 gr, 0.1 lb
Mounting Hole	Ø 19 mm, 0.75 in			/
P/N radiator only	/	2409605.01	2405305.01	2430205.05
P/N "SL" mount	/	2209605.32	2205305.32	/
P/N "S" mount	2205105.28/42	2209605.28	2205305.28	/

* measured on SIRIO's magnetic mount PM-125 PL



T-VHF

163-173 MHz

MGA SERIES

55...550 MHz

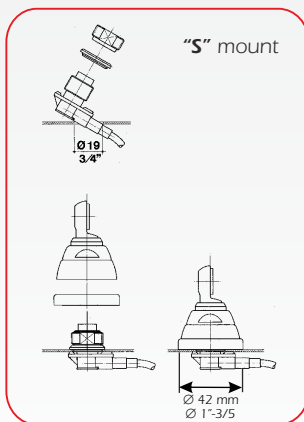
Features:

- # Mobile antenna, Mono-band, Unity-gain, Omnidirectional, Supplied with a strong stainless steel spring
- # T-VHF: tuned for emergency frequency band
- # MGA series: tunable by whip cutting, 17/7 PH stainless steel cylindrical whip
- # MGA 108-550 PL: suitable for fitting on magnetic mounts, angular connectors, or portable transceiver

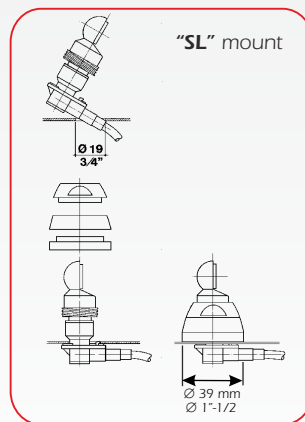


NEW MODEL

T-VHF



MGA 55-550
MGA 108-550



MGA 108-550 PL

Electrical Data	T-VHF	MGA 55-550	MGA 108-550	MGA 108-550 PL
Type	1/4 λ Top Loaded	1/4 λ	1/4 λ	1/4 λ
Frequency Range	163-173 MHz	tunable 55...550 MHz	tunable 108...550 MHz	tunable 108...550 MHz
Impedance		50 Ω		
Radiation (H-plane)		360° Omnidirectional		
Polarization		Linear Vertical		
Gain		0 dB ref. to λ/4 whip		
SWR @ res. freq.	≤ 1.2	≤ 1.3 @ 55 MHz	≤ 1.8 @ 108 MHz	≤ 1.5 @ 108 MHz*
Bandwidth @ SWR ≤ 2	≥ 10 MHz	≥ 6.4 MHz @ 55 MHz	≥ 6.3 MHz @ 108 MHz	≥ 11.5 MHz @ 108 MHz*
Max Power (CW) @ 30°C	25 Watts	100 Watts		
Standar Mount	"S" type	"SL" type	"SL" type	/
Cable Length / Type	5 m, 16.4 ft / RG 58	5 m, 16.4 ft / RG 58	5 m, 16.4 ft / RG 58	/
Alternative mount	/	"S" type, 55...300 MHz only or magnetic mount PM-125 S		/
Connector	/	/	/	UHF-male (PL259)
Mechanical Data	Fiberglass, Stainless steel, Chr. brass		Stainless steel 17/7 PH, Chromed Brass, Nylon	
Height (approx.)	330 mm, 1.1 ft	1400 mm, 4.6 ft	705 mm, 2.3 ft	670 mm, 2.2 ft
Weight (approx.)	400 gr, 0.88 lb	420 gr, 0.9 lb	420 gr, 0.9 lb	70 gr, 0.15 lb
Mounting Hole	Ø 19 mm, 0.75 in	Ø 19 mm, 0.75 in	Ø 19 mm, 0.75 in	/
P/N radiator only	2438015.01	2405905.01	2413805.01	2431505.05
P/N "SL" mount	/	2205905.32	2213805.32	/
P/N "S" mount	2238015.28	2205905.28	2213805.28	/

* measured on SIRIO's magnetic mount PM-125 PL



SKA 108-500, SKB 108-960

108...960 MHz

Features:

- # Mobile antenna, Mono-band, Unity-gain, Omnidirectional
- # Tunable by whip cutting, 17/7 PH stainless steel cylindrical whip
- # SKB 108-960: rigid whip detachable for car-washes access
- # SKB 108-960: magnetic mount version available CELL-MAG p/n 2510202.06
- # SKA 108-500: «SL» mount, 180° inclination and adjustable whip, detachable for car-washes

Electrical Data	SKA 108-500	SKB 108-960
Type	1/4 λ	
Frequency Range	tunable 108...500 MHz	tunable 108...960 MHz
Impedance	50 Ω	
Radiation (H-plane)	360° Omnidirectional	
Polarization	Linear Vertical	
Gain	0 dB ref. to λ/4 whip	
SWR @ res. freq.	see diagram	
Bandwidth @ SWR ≤ 2	see diagram	
Max Power (CW) @30°C	100 Watts	100 Watts for 108-550 MHz 30 Watts for 550-960 MHz
Standar Mount	"SL" type	"ML" type
Cable Length / Type	5 m, 16.4 ft / RG 58	
Alternative mount	/	"CELL MAG" magnetic mount 3m,9.8ft RG58/FME-female

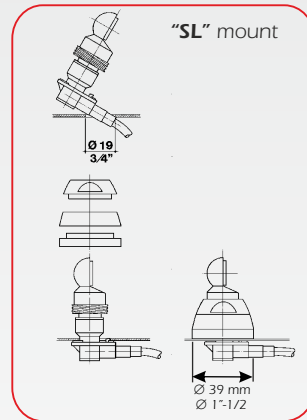
Mechanical Data

Materials	Stainless Steel 17/7 PH, Chromed Brass	
Height (approx.)	710 mm, 2.3 ft	700 mm, 2.3 ft
Weight (approx.)	360 gr, 0.8 lb	280 gr, 0.6 lb
Mounting Hole	Ø 19 mm, 0.75 in	Ø 14 mm, 0.55 in or Ø 18 mm, 0.7 in
P/N "SL", black	2206606.33	/
P/N "ML" mount	/	2209706.48
P/N "ML" w/FME	/	2209706.26
P/N "CELL MAG"	/	2209706.75

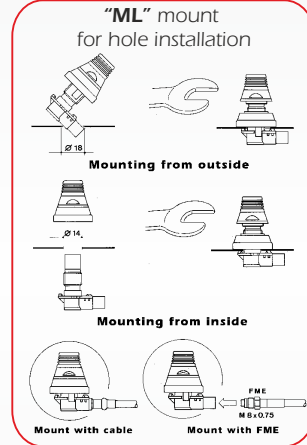
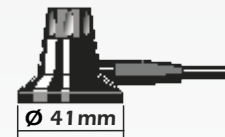
New Black Version



SKA 108-500

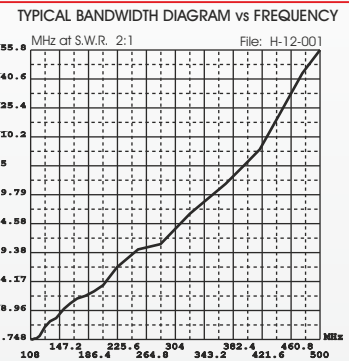
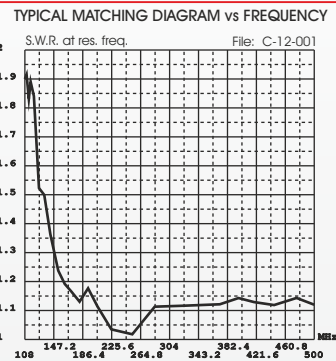
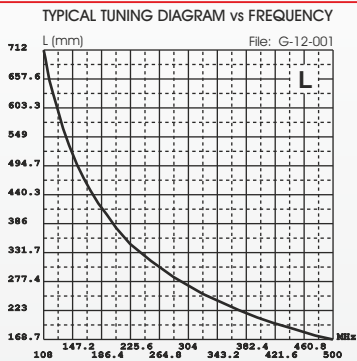


SKB 108-960 is available with mini magnetic mount "CELL-MAG" 2510202.06 for temporary installation

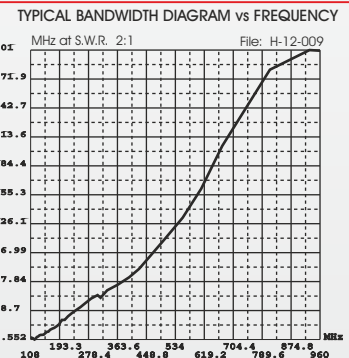
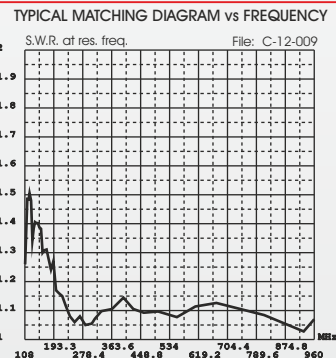
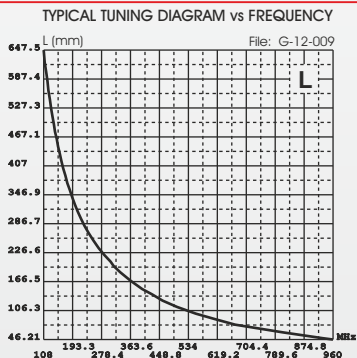


SKB 108-960

SKA 108-500



SKB 108-960



* Use the curves just as a guide. For fine-tuning please use an SWR-meter

SINCE 1972



HP-S 136-174

HP 140-175

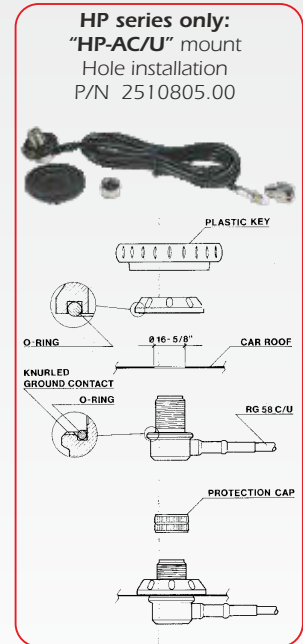
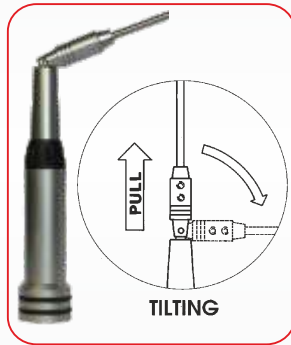
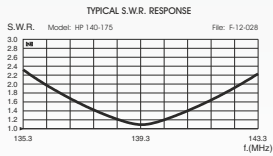
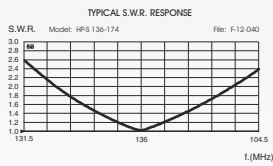
HP 2000

HP 2000 C

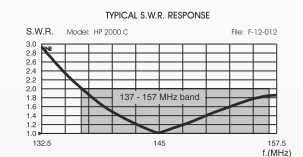
ZN 22-C

Features:

- # Mobile antennas, Omnidirectional Mono-band.
- # ZN 22-C: high Gain. HP 2000, ZN 22-C: ground plane independent
- # HP series only : Suitable for fitting on magnetic mounts, angular connectors or portable transceiver
- # HP series only : Protection from static discharges DC-Ground
- # 17/7 PH tapered stainless steel whip
- # HP-S 380-400: shock spring system
- # HP series, ZN 22 C: 90° tiltable whip and detachable for car-washes access



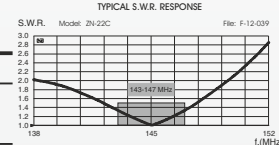
Remark: do not drive with tilted rod



**HP-S
136-174**

**HP 140-175
HP 2000**

HP 2000 C



**ZN 22-C
6.5 dB Gain**

NEW MODEL

Electrical Data	HP-S 136-174	HP 140-175	HP 2000	HP 2000 C	ZN 22-C
Type	5/8 λ	5/8 λ	1/2 λ	C-Loaded	2x5/8 λ Colinear
Frequency Range	tunable 136...174 MHz	tunable 139.3...175 MHz	142 - 149 MHz @ SWR ≤ 2	137 - 157 MHz @ SWR ≤ 2	143-147 MHz @ SWR ≤ 1.5
Impedance	50 Ω				
Radiation (H-plane)	360° Omnidirectional				
Polarization	Linear Vertical				
Gain	1.5 dB ref. to λ/4 whip	1.5 dB ref. to λ/4 whip	1.5 dB ref. to λ/4 whip	2 dB ref. to λ/4 whip	6.5 dB
SWR @ res. freq.	≤ 1.2	≤ 1.2 @ 139.3 MHz	/	/	≤ 1.2
Bandwidth @ SWR ≤ 2	≥ 6.7MHz@136MHz	≥ 6.6MHz@139.3MHz	/	/	≥ 9 MHz
Max Power (CW) @30°C	200 Watts	150 Watts	150 Watts	150 Watts	300 Watts
Grounding Protection	All metal parts are DC-grounded, inner conductor is coupled capacitively				/
Connector	UHF-male (PL 259), gold plated central pin, PTFE insulator				
Mechanical Data					
Materials	Stainless steel 17/7 PH, Nylon, Chromed Brass				
Height (approx.)	1480 mm, 4.8 ft	1435 mm, 4.7 ft	1060 mm, 3.5 ft	1410 mm, 4.6 ft	2430 mm, 8 ft
Weight (approx.)	270 gr, 0.6 lb	320 gr, 0.7 lb	320 gr, 0.7 lb	320 gr, 0.7 lb	530 gr, 1.12 lb
P/N	2213505.05	2213405.05	2210105.05	2210205.05	2210805.05



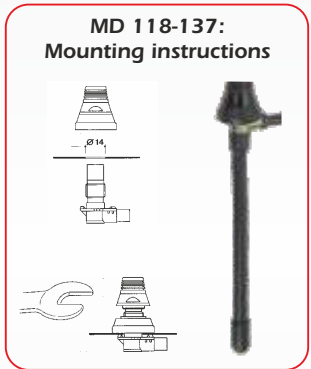
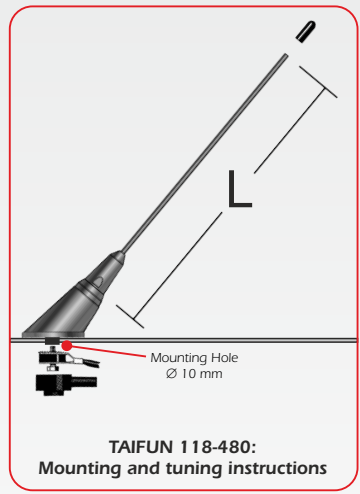
MD 118-137 AVIATION

TAIFUN 118-480

MC 380-400

Features:

- # Mobile antenna, Mono-band
- # Unity-gain, Omnidirectional
- # MD 118-137: recommended for installation on small aircraft; bottom flexible steel radial
- # MD 118-137, TAIFUN: 17/7 PH stainless steel cylindrical whip, detachable for car-washes
- # TAIFUN 118-480: tunable by whip cutting
- # MC 380-400: Protection from static discharges DC-Ground;
- # MC 380-400: Supplied with a strong stainless steel spring,
- # MC 380-400: Designed to work without Ground Plane



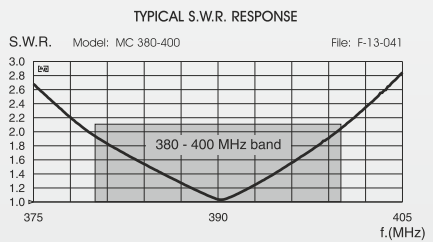
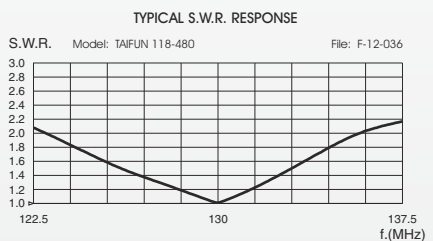
MD 118-137 aviation

TAIFUN 118-480

MC 380-400 (Available version 430-450 MHz)

Electrical Data	MD 118-137 aviation	TAIFUN 118-480	MC 380-400
Type	Dipole 1/2 λ. with loaded radial	1/4 λ. Mobile Antenna	1/2 λ.
Frequency Range	118-137 MHz	tunable 118...480 MHz	380-400 MHz @ SWR ≤ 2.1
Impedance		50 Ω	
Radiation (H-plane)		360° Omnidirectional	
Polarization		Linear Vertical	
Gain	0 dBd - 2.15 dBi	0 dB ref. to λ/4 whip	0 dBd - 2.15 dBi
SWR @ res. freq.	≤ 1.5	≤ 1.5	≤ 1.2
Max Power (CW) @30°C	50 Watts	100 Watts	30 Watts
Grounding Protection	/	/	All metal parts are DC-grounded, inner conductor coupled capacitively
Standard Mount	/	/	"M1" bracket
Cable Length / Type	5 m, 16.5 ft / RG 58	5.5 m, 18 ft / RG 58	1.5 m, 5 ft / Low Loss
Cable Connector	FME-female	/	TNC-male

Mechanical Data	MD 118-137 aviation	TAIFUN 118-480	MC 380-400
Materials	Black Stainless Steel 17/7 PH, Chromed Brass, Nylon, Zamac	Black Stainless Steel 17/7 PH, Chromed Brass, Nylon	Fiberglass, Chromed Brass, Stainless Steel, Nylon
Wind Resistance	220 Km/h, 137 mi/h	/	/
Height (approx.)	760 mm, 2.5 ft	700 mm, 1.6 ft	355 mm, 1.2 ft (without bracket)
Weight (approx.)	330 gr, 0.7 lb	350 gr, 0.8 lb	500 gr, 1.1 lb
Mounting Hole	Ø 14 mm, 0.55 in	Ø 10 mm, 0.4 in	/
P/N	2214806.26	2204715.00/VHF	2216320.80





SU SERIES

Sirio UHF 350...550 MHz

Features:

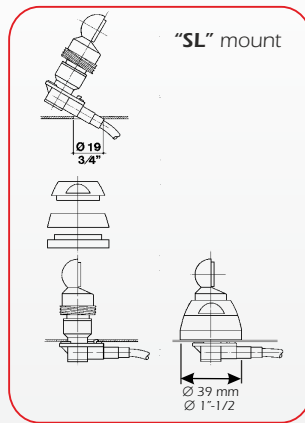
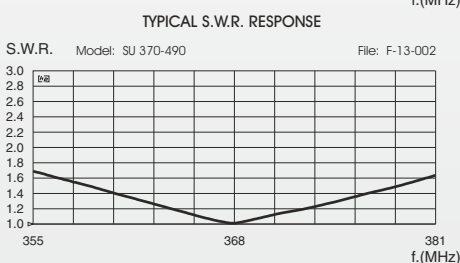
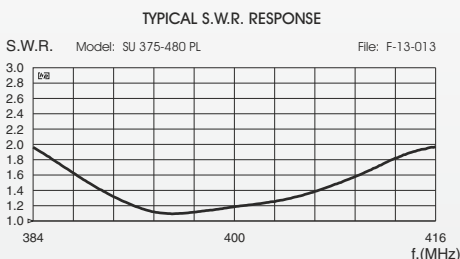
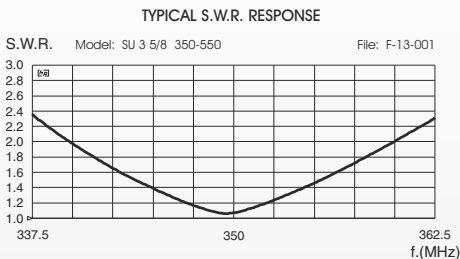
- # Mobile antenna, Mono-band, Omnidirectional, Tunable by whip cutting
- # SU 370-490, SU 375-480 PL: Medium-gain. SU 350-550 5/8: Low-gain
- # 17/7 PH stainless steel spring whip
- # SU 375-480 PL: suitable for fitting on magnetic mounts, angular connectors or portable transceiver
- # Magnetic mount version available

Electrical Data	SU 350-550 5/8	SU 375-480 PL	SU 370-490
Type	5/8 λ	1/4 λ +1/2 λ colinear	1/4 λ +1/2 λ colinear
Frequency Range	tunable 350...550 MHz	tunable 375...480MHz	tunable 368...490MHz
Impedance	50 Ω		50 Ω
Radiation (H-plane)	360° Omnidirectional		360° Omnidirectional
Polarization	Linear Vertical		Linear Vertical
Gain	2 dB ref. to $\lambda/4$ whip	3.5 dB ref. to $\lambda/4$ whip	3.5 dB ref. to $\lambda/4$ whip
SWR @ res. freq.	≤ 1.3	$\leq 1.6^*$	≤ 1.2
Bandwidth @ SWR ≤ 2	≥ 20 MHz @ 350 MHz	≥ 30 MHz @ 375 MHz*	≥ 20 MHz @ 368 MHz
Max Power (CW) @30°C	100 Watts		
Standar Mount	"SL" Ttype	/	"SL" Type
Cable Lenght / Type	5 m, 16.4 ft / RG 58	/	5 m, 16.4 ft / RG 58
Connector	/	UHF-male (PL259)	/

Mechanical Data

Materials	Stainless Steel, Nylon, Chromed Brass		
Height (approx.)	607 mm, 2 ft	760 mm, 2.5 ft	745 mm, 2.4 ft
Weight (approx.)	350 gr, 0.8 lb	160 gr, 0.35 lb	420 gr, 0.9 lb
Mounting Hole	$\varnothing 19$ mm, 0.75 in	/	$\varnothing 19$ mm, 0.75 in
P/N radiator only	/	2430405.05	2405505.01
P/N "SL" chrome	2205405.32	/	2205505.32
P/N "SL" black	/	/	2205506.33
P/N "PM-100 S"	/	/	2205505.61
P/N "PM-100 S" black	/	/	2205506.61

* measured on SIRIO's magnetic mount PM-100 PL



SU 350-550 5/8



SU 375-480 PL



SU 370-490



HP-S 380-400

High Performance Spring shock

Features:

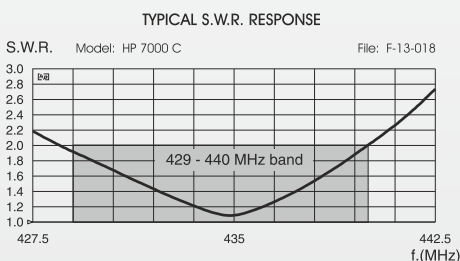
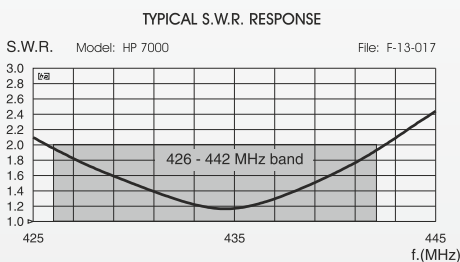
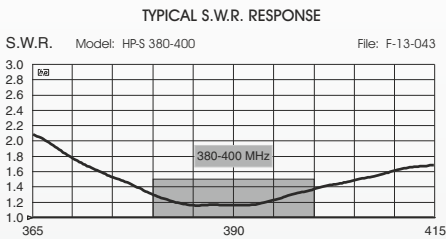
- # Mobile antenna, Mono-band
- # Omnidirectional
- # HP 7000: Low-gain, HP 7000 C, HP-S 380-400: High-gain
- # HP 7000/7000 C: ground plane independent
- # Protection from static discharges DC-Ground
- # 17/7 PH stainless steel cylindrical whip
- # HP 7000/7000 C: 90° tiltable whip and detachable for car-washes access
- # HP-S 380-400: shock spring system
- # Wide range of optional mounting bases available

Electrical Data	HP-S 380-400	HP 7000	HP 7000 C
Type	1/4 λ + 1/2 λ	5/8 λ	2 x 5/8 λ
Frequency Range	380 - 400 MHz @ SWR ≤ 1.5	426 - 442 MHz @ SWR ≤ 2	429 - 440 MHz @ SWR ≤ 2
Impedance	50 Ω		
Radiation (H-plane)	360° Omnidirectional		
Polarization	Linear Vertical		
Gain	2.8 dB ref. to λ/4 whip	2 dB ref. to λ/4 whip	5 dB ref. to λ/4 whip
Max Power (CW) @30°C	200 Watts	100 Watts	100 Watts
Grounding Protection	All metal parts are DC-grounded, the inner conductor show a dc-short	All metal parts are DC-grounded, the inner conductor is coupled capacitively	All metal parts are DC-grounded, the inner conductor is coupled capacitively
Connector	UHF-male (PL 259), gold plated central pin, ptfе insulator		

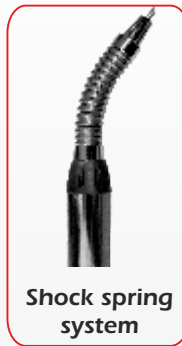
Mechanical Data

Materials	Stainless steel 17/7 PH, Nylon, Chromed Brass		
Height (approx.)	620 mm, 2 ft	435 mm, 1.4 ft	990 mm, 3.2 ft
Weight (approx.)	280 gr, 0.6 lb	250 gr, 0.55 lb	320 gr, 0.7 lb
P/N	2213605.05	2210505.05	2210605.05

HP 7000, HP 7000 C available for USA ham band (440-450 MHz)



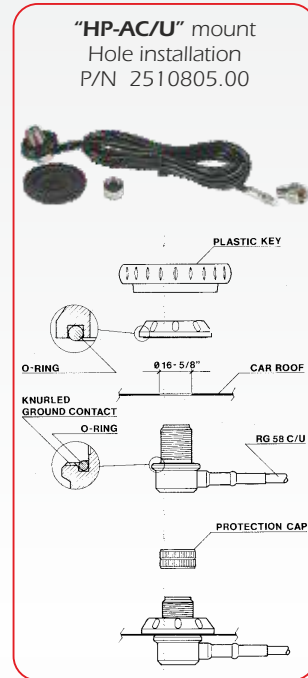
HP-S 380-400



NEW MODEL



HP 7000



HP 7000 C

HP 7000

HP 7000 C

High Performance 70cm band



LPA SERIES

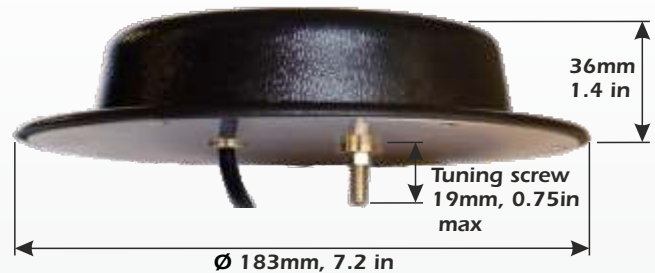
Low Profile Antenna 380...470 MHz

Features:

- # Low profile mobile antenna designed for use on vehicles operating under severe height limitations such as buses, trains, trams, etc
- # Unity-gain omnidirectional mono-band
- # Protection from static discharges DC-Ground
- # Tunable by acting on internal screw

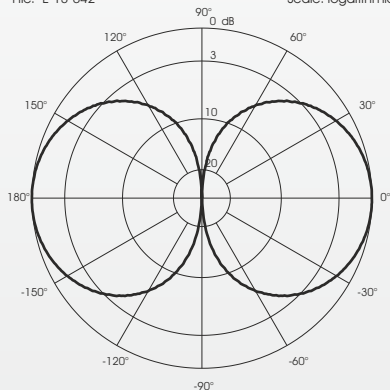
Electrical Data	LPA 380	LPA 420
Frequency Range	tunable 380...430 MHz	tunable 420...470 MHz
Impedance	50 Ω	
Radiation (H-plane)	360° Omnidirectional	
Radiation (E-plane)	Beamwidth @ -3 dB = 78°	
Polarization	Linear Vertical	
Gain	2 dBi (0 dB ref. to $\lambda/4$ whip) @ resonant freq.	
SWR @ res. freq.	Typically ≤ 1.5 @ resonant freq.	
Bandwidth @ SWR ≤ 2	Typically 2.5% @ center freq.	
Max Power (CW) @30°C	100 Watts	
Grounding Protection	All metal parts are DC-grounded, the inner conductor is coupled capacitively	
Cable Length / Type	1m, 3.2 ft / RG 58 C/U	
Connector	Standard: BNC-male, other on request	

Mechanical Data		
Materials	ABS UV stabilized, Aluminium, Brass	
Operating temperature	-40° C to +80°C	
Dimensions (approx.)	\varnothing 183 mm, 7.2 in / height 36 mm, 1.4 in	
Weight (approx.)	400 gr, 0.9 lb	
Mounting Hole	6x \varnothing 4.5 mm, 0.18 in + 2x \varnothing 16mm, 0.63 in	
P/N	2219003/380	2219003/420

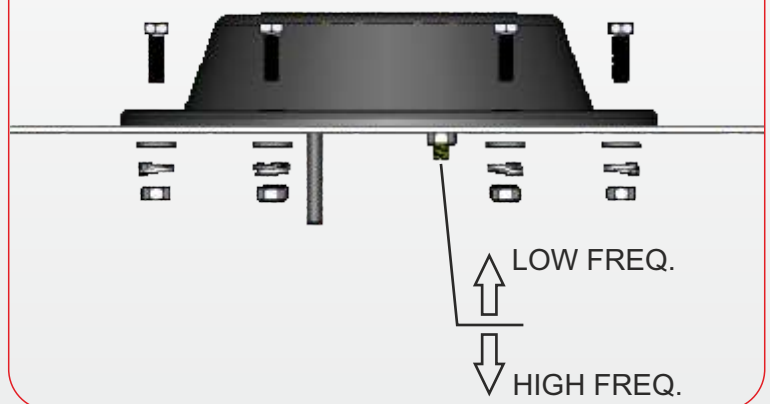


Remark: Optimum performance is achieved when the antenna is fitted on a metallic ground plane $\lambda/2$ square.

TYPICAL RADIATION PATTERN in E-plane at mid band
File: E-13-042 Scale: logarithmic



Mounting and tuning instructions





SM 48/140

SMA 47/135

MAG 45/135

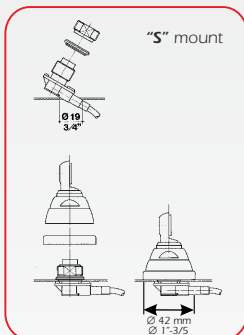
MAG-S 45/135



SM 48/140

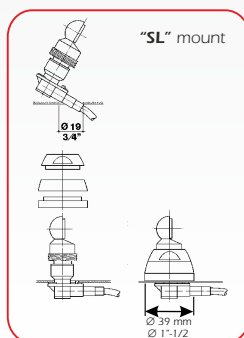


SMA 47/135

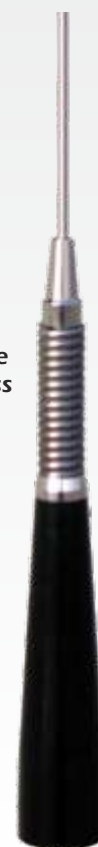


Features:

- # Mobile Antenna, Dual-band
- # Omnidirectional, Tunable by whip cutting
- # 6m band: Unity-gain, 2m band: Low-gain
- # SM: black fiberglass conic whip
- # SMA, MAG, MAG-S: 17/7 PH tapered stainless steel whip
- # MAG, MAG-S: Suitable for fitting on magnetic mounts, angular connectors, or portable transceiver
- # MAG, MAG-S: New Protection from static discharges DC-Ground
- # SM, SMA, MAG-S: Supplied with a strong stainless steel spring
- # SM, SMA: 180° inclination and adjustable whip, detachable for car-washes access
- # Magnetic mount version available



MAG 45/135



MAG-S 45/135

Flexible stainless steel spring

Electrical Data	SM 48/140	SMA 47/135	MAG 45/135	MAG-S 45/135
Type	1/4 λ. Base Loaded for 45...61.5 MHz band; 5/8 λ. for 135...175 MHz band			
Frequency Range	tunable 47.5...60.5 & 140...175 MHz *	tunable 46.5...61.5 & 135...175 MHz *	tunable 45...60 MHz & 135...175 MHz *	tunable 45.5...60 MHz & 135...175 MHz *
Impedance	50 Ω			
Radiation (H-plane)	360° Omnidirectional			
Polarization	Linear Vertical			
Gain	0 dB ref. to λ/4 whip for 45...61.5 MHz band; ≤ 1.3 both bands		2 dB ref. to λ/4 whip for 135...175 MHz band; ≤ 1.2 both bands	
Bandwidth @ SWR≤1.5	≥2 MHz @ 47.5 MHz ≥2.8 MHz @ 140MHz	≥2.5 MHz @46.5MHz ≥3.4 MHz @ 135MHz	≥2.2 MHz @ 45 MHz ≥3.5 MHz @135 MHz	≥2.2 MHz @45.5MHz ≥3.5 MHz @135 MHz
Max Power (CW) @30°C	100 Watts			
Standard mount	"S" type		/	
Cable Length / Type	5 m, 16.4 ft / RG 58		/	
Alternative Mount	"SL" type		PM-125 PL	
Grounding Protection	/		All metal parts are DC-grounded, the inner conductor shows a DC short	
Connector	/		UHF-male (PL 259)	

Mechanical Data

Materials	Fiberglass, Stainless Steel, Nylon, Brass	Stainless Steel 17/7PH Nylon, Chromed Brass	Stainless steel 17/7 PH, Nylon, Chromed Brass	Stainless steel 17/7 PH, Nylon, Chromed Brass
Height (approx.)	1340 mm, 4.4 ft	1505 mm, 5 ft	1460 mm, 4.8 ft	1460 mm, 4.8 ft
Weight (approx.)	550 gr, 1.2 lb	550 gr, 1.2 lb	170 gr, 0.4 lb	200 gr, 0.45 lb
Mounting Hole	Ø 19 mm, 0.75 in	Ø 19 mm, 0.75 in	/	/
P/N radiator only	2405024.01	2405105.01	2430505.05	2431705.05
P/N "S" mount	2205024.28	2205105.28	/	/
P/N "SL" mount	2205024.32	2205105.32	/	/

* NOTE: resonant frequencies are length dependent. With the longest radiator freq. will be 45 & 135 MHz while with the shortest radiator freq. will be 60 & 175 MHz



Bottom view UHF-male connector



Magnetic Mount PM-125 PL P/N 2502602.05



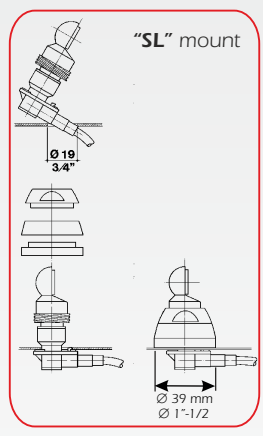
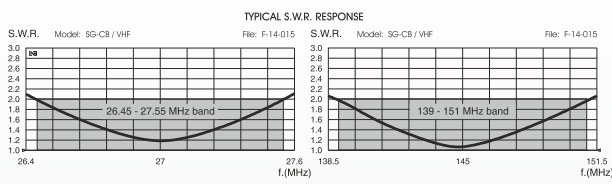
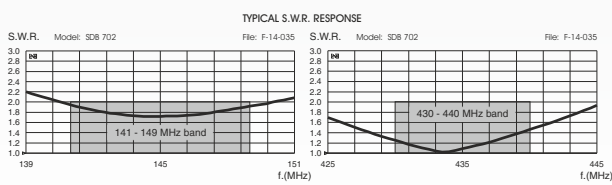
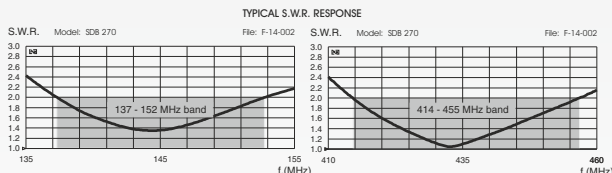
SDB 270

SDB 702

SG-CB/VHF

Features:

- # Mobile antenna, Dual-band, Omnidirectional
- # Unity-gain
- # 17/7 PH tapered stainless steel whip
- # SG-CB/VHF: 90° tiltable whip for car-washes access
- SDB 270, SDB 702: 180° inclination and adjustable whip, detachable for car-washes



NEW MODEL

New Black Version

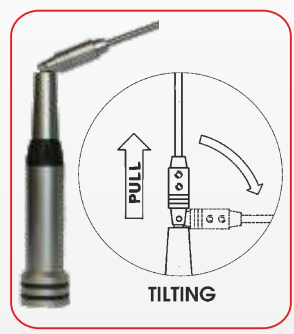


SDB 270 black

SDB 702

SG-CB/VHF

Electrical Data	SDB 702	SDB 270 black	SG-CB/VHF
Type	VHF: 1/4 λ UHF: 5/8 λ	VHF: 1/4 λ UHF: 3/4 λ	HF: 1/4λ. Central Loaded VHF: 1/4 λ
Frequency Range @ SWR ≤ 2	VHF: 141-149 MHz UHF: 430-440 MHz	VHF: 137-152 MHz UHF: 414-455 MHz	HF: 26.45 - 27.55 MHz VHF: 139 - 151 MHz
Impedance	50 Ω		
Radiation (H-plane)	360° Omnidirectional		
Polarization	Linear Vertical		
Gain ref. to λ/4 whip	VHF: 0dB ref. to λ/4 whip UHF: 2dB ref. to λ/4 whip	VHF & UHF: 0 dB ref. to λ/4 whip	HF & VHF: 0 dB ref. to λ/4 whip
Max Power (CW) @30°C	100 Watts	100 Watts	HF: 120 Watts VHF: 200 Watts
Standard mount	"SL" Type	"SL" Type	/
Cable Length / Type	5 m, 16.4 ft / RG 58	5 m, 16.4 ft / RG 58	/
Connector	/	/	UHF-male (PL 259)



Bottom view UHF-male connector

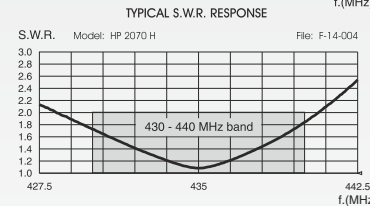
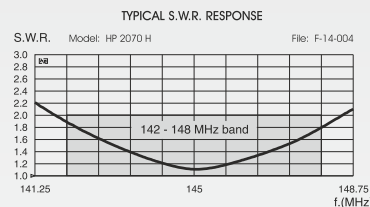
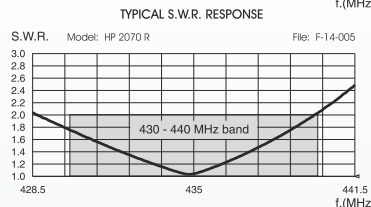
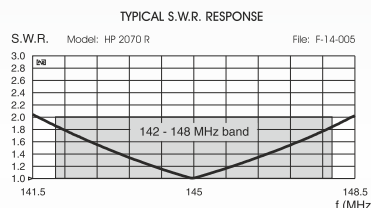
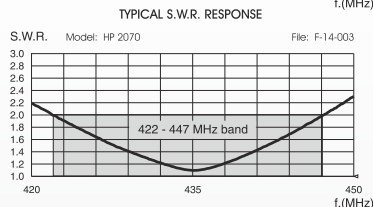
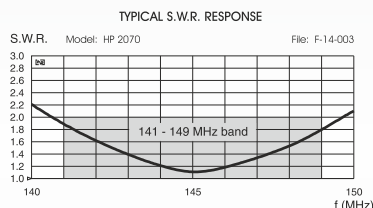


HP 2070 SERIES

High Performance Series

Features:

- # Mobile antenna, Dual-band, Omnidirectional
- # HP 2070: VHF band Unity-gain, UHF band Low-gain
- # HP 2070 H/R: VHF band Low-gain, UHF band High-gain ground plane independent
- # Protection from static discharges DC-Ground
- # 17/7 PH stainless steel cylindrical whip
- # 90° tiltable whip for car-washes access



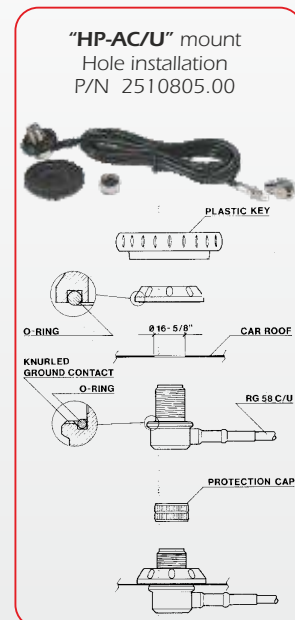
HP 2070

HP 2070 R

HP 2070 H

Electrical Data	HP 2070	HP 2070 R	HP 2070 H
Type	VHF: 1/4 λ UHF: 5/8 λ	VHF: 1/2 λ UHF: 2 x 5/8 λ, Colinear	VHF: 1/2 λ UHF: 2 x 5/8 λ, Colinear
Frequency Range	VHF: 141 - 149 MHz UHF: 422 - 447 MHz @ SWR ≤ 2	VHF: 142 - 148 MHz UHF: 430 - 440 MHz @ SWR ≤ 2	VHF: 142 - 148 MHz UHF: 430 - 440 MHz @ SWR ≤ 2
Impedance	50 Ω		
Radiation (H-plane)	360° Omnidirectional		
Polarization	Linear Vertical		
Gain	VHF: 0 dB, UHF: 2 dB ref. to λ/4 whip	VHF 0.6dB, UHF 4.6dB ref. to λ/4 whip	VHF 0.7dB, UHF 4.4dB ref. to λ/4 whip
Max Power (CW) @30°C	VHF: 150 Watts UHF: 100 Watts	VHF: 150 Watts UHF: 100 Watts	VHF: 150 Watts UHF: 100 Watts
Grounding Protection	All metal parts are DC-grounded, the inner conductor is coupled capacitively		
Connector	UHF-male (PL 259), gold plated central pin, PTFE insulator		
Mechanical Data			
Materials	Stainless steel 17/7 PH, Nylon, Chromed Brass		
Height (approx.)	445 mm, 1.5 ft	1000 mm, 3.2 ft	1080 mm, 3.5 ft
Weight (approx.)	270 gr, 0.6 lb	300 gr, 0.66 lb	330 gr, 0.7 lb
P/N	2210305.05	2210705.05	2210405.05

HP 2070, HP 2070 H, HP 2070 R are available for USA ham band (144-148 & 440-450 MHz)



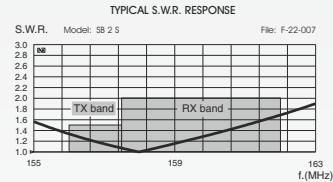
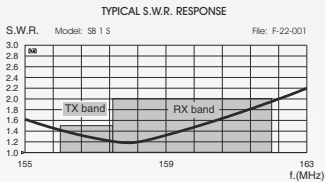


SB SERIES

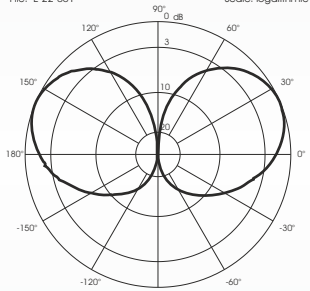
156-163 MHz

Features:

- # Omnidirectional marine antenna, Mono-band, Designed to work without Ground Plane, SB 1, SB 2: Unity-gain. SB 3: Low-gain
- # Protection from static discharges DC-Ground, Perfect protection against the worst weather conditions, Stainless steel hardware
- # Provided with stainless steel bracket for an easy installation on mast top
- # SB 1: Fiberglass whip; SB 2: 17/7PH tapered stainless steel whip; SB 3: High quality whip made of brass protected by fiberglass tube;

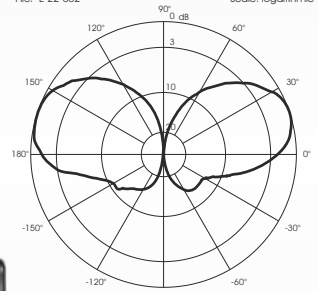


TYPICAL RADIATION PATTERN in E-plane at 158 MHz
File: E-22-001
Scale: logarithmic



SB 1 S; SB 2 S

TYPICAL RADIATION PATTERN in E-plane at 158 MHz
File: E-22-002
Scale: logarithmic



SB 3 U; SB 3 S

SB 1 S

SB 2 S



Electrical Data	SB 1 S	SB 2 S	SB 3 U
Type	1/2 λ base loaded		3/4 λ J-pole
Frequency Range	156 - 163 MHz		
Impedance	50 Ω		
Radiation (H-plane)	360° Omnidirectional		
Radiation (E-plane) Beamwidth @ -3dB	60°		39°
Radiation angle	23°		21°
Polarization	Linear Vertical		
Gain	0 dBd, 2.15 dBi		2 dBd, 4.15 dBi
Max Power (CW) @ 30° C	100 Watts		
Grounding Protection	All metal parts are DC-grounded, the inner conductor is coupled capacitively		All metal parts are DC-grounded, the inner conductor show a DC short
Connector	UHF-Female		
Mechanical Data			
Materials	Fiberglass, Chromed Brass, Nylon	17/7 PH Stainless Steel, Chromed Brass	Fiberglass, Chromed Brass, Nylon
Height (approx.)	955 mm, 3.1 ft	1050 mm, 3.5 ft	1465 mm, 4.8 ft
Weight (approx.)	380 gr, 0.8 lb	330 gr, 0.73 lb	300 gr, 0.66 lb
P/N	2300420.80	2301105.80	2300520.80

SB 3 U



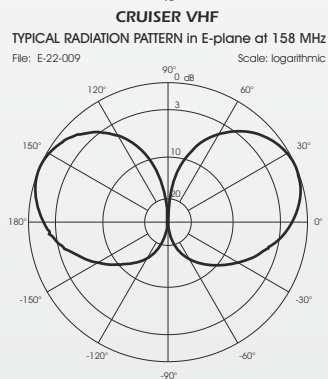
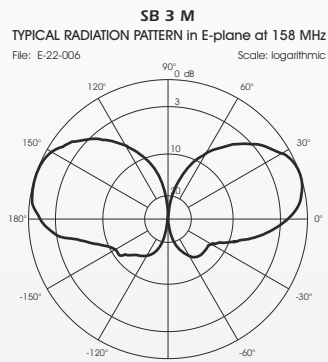
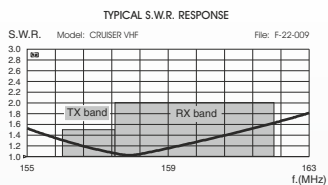
SB 3 M, CRUISER VHF

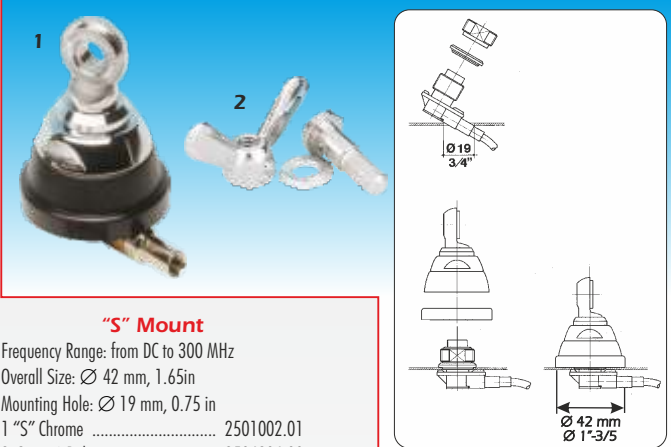
156-163 MHz

Features:

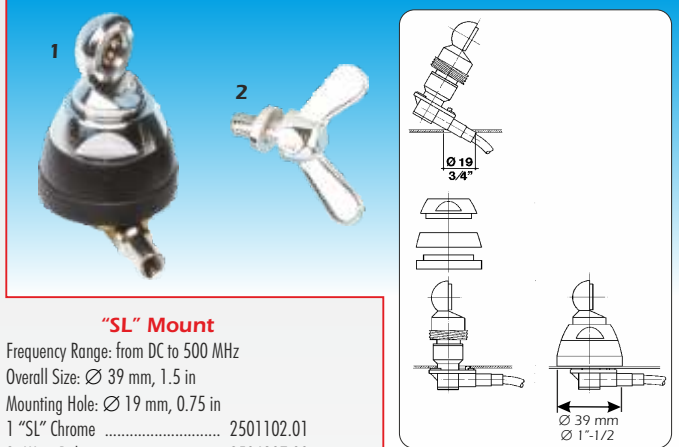
- # Omnidirectional marine antenna, Mono-band, Designed to work without Ground Plane;
- # CRUISER VHF: Unity-gain, SB 3 M: Low-gain
- # Protection from static discharges DC-Ground; Perfect protection against the worst weather conditions; Stainless steel hardware
- # CRUISER VHF: 180° inclination and adjustable whip; High quality white fiberglass conic whip
- # SB 3 M: High quality whip made of brass and copper protected by fiberglass tube

Electrical Data	SB 3 M	CRUISER VHF
Type	3/4 λ J-pole	1/2 λ base loaded
Frequency Range	156 - 163 MHz	
Impedance	50 Ω	
Radiation (H-plane)	360° Omnidirectional	
Radiation (E-plane)	Beamwidth @ -3dB = 39°	Beamwidth @ -3dB=60°
Radiation angle deg.	21°	23°
Polarization	Linear Vertical	
Gain	2 dBd - 4.15 dBi	0 dBd, 2.15 dBi
Max Power (CW) @ 30° C	100 Watt	
Grounding Protection	All metal parts are DC-grounded, the inner conductor shows a DC short	
Standar Mount	"M8-NY"	
Cable Lenght / Type	5 m, 16.4 ft / white Low Loss	
Mechanical Data		
Materials	Fiberglass, Chromed Brass, Nylon	
Height (approx.)	1480 mm, 4.8 ft	1100 mm, 3.6 ft
Weight (approx.)	750 gr, 1.7 lb	680 gr, 1.5 lb
P/N	2300820.83	2301520.83

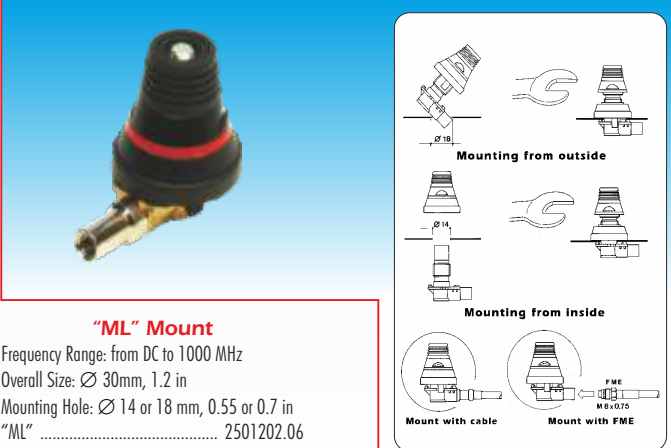


"S" Mount
 Frequency Range: from DC to 300 MHz
 Overall Size: \varnothing 42 mm, 1.65in
 Mounting Hole: \varnothing 19 mm, 0.75 in
 1 "S" Chrome 2501102.01
 2 Screw & Bolt 2506206.00



"SL" Mount
 Frequency Range: from DC to 500 MHz
 Overall Size: \varnothing 39 mm, 1.5 in
 Mounting Hole: \varnothing 19 mm, 0.75 in
 1 "SL" Chrome 2501102.01
 2 Wing Bolt 2506307.00



"ML" Mount
 Frequency Range: from DC to 1000 MHz
 Overall Size: \varnothing 30mm, 1.2 in
 Mounting Hole: \varnothing 14 or 18 mm, 0.55 or 0.7 in
 "ML" 2501202.06

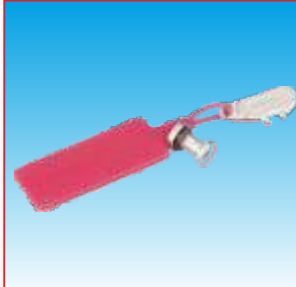


"ABN-2" Trunk Mount
 Type: Trunk mount
 Fixing Hole: \varnothing 16 mm, 5/8 in
 Dimension: 60 x 80 x 60 mm; 2.4 x 3.1 x 2.4 in
 Material: Black powder painted Steel
 ABN-2 Black 2504105.00

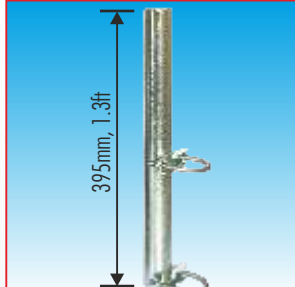
"KF" Gutter Mount / Set
 1 Fixing Hole: \varnothing 16 mm, 5/8 in
 1 Material: Painted Zamak
 2 Cable: 4m, 13 ft w/SO239 & PL259 connected
 1 KF Black only 2504205.00
 1+2 KF Black w/Cable SO239 2504205.20



"Magnetic mount adaptor"
 Materials: Chrome Zamak, Nylon
 Connection: PL-259-male to «S» joint
 MAG-DV adaptor Chrome 2504502.01
 MAG-DV adaptor Black 2504502.02



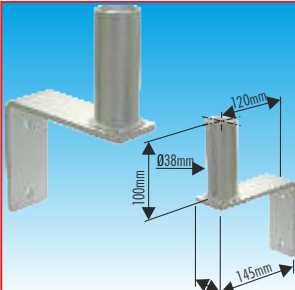
"Safety Set"
 Optional anti-theft set for «S» mount
 Materials: Chrome plated Brass and Zamak
 Chrome 2506506.00



"FT-2 Universal" Bracket
 Top Size for antenna fitting: \varnothing 38 mm, 1.5 in
 Bottom Size: \varnothing 42/50 mm, 1.6/2 in mast fitting
 Weight (approx.): 1100 gr, 2.4 lb
 Material: Galvanized Steel
 FT-2 Universal 2510004.00



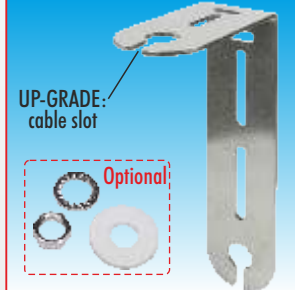
"FT-3" Fixing Bracket
 Top Size for antenna fitting: \varnothing 30 mm, 1.2 in
 Bottom Size: \varnothing 35/54 mm, 1.4/2.1 in mast fitting
 Weight (approx.): 350gr, 0.8 lb
 Material: Anodized aluminium, Stainless steel
 FT-3 fixing bracket 2511301.00



"FT-4" Fixing Bracket
 Top Size for ant. fitting: \varnothing 38 x 100 mm, 1.5 x 4 in
 Material: Galvanized Steel. Bottom Size: 2x \varnothing 9mm / 0.35in wall fitting (screws not included).
 Weight (approx.): 780gr, 1.7 lb
 FT-4 fixing bracket 2513404.00



"M-1" Marine Bracket
 Dimension: 38 x 64 x 98 mm, 1.5 x 2.5 x 3.8 in
 Material: Stainless Steel
 Mounting Hole: 2x \varnothing 16mm, 5/8 in
 M-1 Marine Bracket 2503503.00
 With Optional fixing set 2503203.00/SA



"M-2" Marine Bracket
 Dimensions: 45 x 100 x 180 mm, 1.5 x 3.9 x 7 in
 Material: Stainless Steel
 Mounting Hole: 2x \varnothing 16mm, 5/8 in
 M-2 Marine Bracket 2503203.00
 With Optional fixing set 2503503.00/SA



"M-8" Marine Mount
 Connection: standard 1" x 14 threads
 Dimensions: 67 x 94 x 124 mm, 2.6 x 3.7 x 4.9 in
 Weight (approx.): 330 gr, 0.7 lb
 Materials: Nylon, Stainless steel hardware
 M-8 NY Marine Mount 2503301.00



"PM 100" Magnet Mount

Frequency Range: from DC to 500 MHz.
 Overall size: \varnothing 92 mm, 3.6 in
 Materials: Ferrite magnet, Chromed Brass, Nylon, Rubber protection
 Cable / Connector: 3.6 m, 11.8 ft RG 58 / PL 259 R male
 PM-100 PL 2502502.05
 PM-100 S 2502502.01
 PM-100 S Black 2502502.02
 PM-100 3/8 2502502.03



"PM 125" Magnet Mount

Frequency Range: from DC to 500 MHz.
 Overall size: \varnothing 127 mm, 5 in
 Materials: Ferrite magnet, Chromed Brass, Nylon, Rubber protection
 Cable / Connector: 3.6 m, 11.8 ft RG 58 / PL 259 R male
 PM-125 PL 2502602.05
 PM- 125 S 2502602.01
 PM- 125 S Black 2502602.02
 PM- 125 3/8 2502602.03



"MAG 145" Magnet Mount

Frequency Range: from DC to 500 MHz.
 Overall size: \varnothing 160 mm, 6.3 in
 Materials: Ferrite magnet, Chromed Brass, Nylon, Rubber protection
 Cable / Connector: 3.6 m, 11.8 ft RG 58 / PL 259 R male
 MAG 145 PL 2502702.05
 MAG 145 S 2502702.01
 MAG 145 S Black 2502702.02
 MAG 145 3/8 2502702.03

AVAILABLE MAGNETIC MOUNT CONNECTION



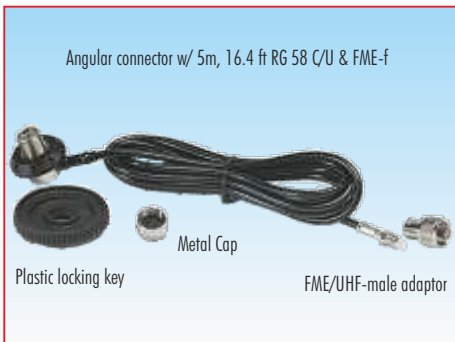
S joint
 Tiltable Joint chromed or black



PL connector
 UHF-female connector



3/8 thread
 3/8" connection



Angular connector w/ 5m, 16.4 ft RG 58 C/U & FME-f

Plastic locking key Metal Cap FME/UHF-male adaptor

"HP-AC/U" Angular Connector

Frequency Range: from DC to 500 MHz.
 Materials: Brass nichel plated, PTFE insulator,
 Cable Length / Type / Connector: 5m, 16.4ft / RG58 C/U MIL C17 / FME-f
 HP-AC/U 2510805.00



"Antennas Display"

Materials: Silver painted zamak with rubber gasket
 Fixing Hole: 8 x \varnothing 12.5 mm, 0.5 in
 ANTENNAS DISPLAY 2508008.00



Tilting Bracket for WY series

Materials & Hardware: zinc plated steel,
 Dimensions: 110 x 150 x 6 mm; 4.3 x 5.9 x 0.25 in
 Tilting Bracket 2519803.00



"Antennas' Dispenser"

Overall Dimension W x H: 86 x 230 cm, 3 x 7.5 ft
 Material: Painted steel. Max weight capacity: 20 Kg, 44 lb
 Antenna's dispenser 32.0002



SMA-male

Frequency: from DC to 9 GHz. Materials: Nickel plated brass, PTFE insulator, Gold plated pin.
Crimp type for RG 58, CO 100 30.SMA001.00
Crimp type for RG 174, RG 316 30.SMA002.00



SMA-female

Frequency: from DC to 9 GHz. Materials: Nickel plated brass, PTFE insulator, Gold plated pin.
Crimp type for RG 58, CO 100 30.SMA003.00
Crimp type for RG 174, RG 316 30.SMA004.00



SMA-male Reverse Polarity

Frequency: from DC to 9 GHz. Materials: Nickel plated brass, PTFE insulator, Gold plated pin.
Crimp type for RG 58, CO 100 30.SMA005.00
Crimp type for RG 174, RG 316 30.SMA006.00



SMA-female Panel

Frequency: from DC to 9 GHz. Materials: Nickel plated brass, PTFE insulator, Gold plated pin.
Crimp type for RG 58, CO 100 30.SMA008.00
Crimp type for RG 174, RG 316 30.SMA007.00



FME-male

Materials: Nickel plated brass, PTFE insulator, Gold plated central pin.
Crimp type for RG 58, CO 100 30.FME001.00
Crimp type for RG 174, RG 316 30.FME005.00



FME-female

Materials: Nickel plated brass, Delrin insulator, Gold plated central pin.
Crimp type for RG 58, CO 100 30.FME002.00
Crimp type for RG 174, RG 316 30.FME003.00



N-male

Frequency: from DC to 6 GHz. Materials: Nickel plated brass, PTFE insulator, Gold plated pin.
Crimp type for RG 58, CO 100 30.N001.00
Clamp type for RG 8, RG 213 30.N003.00
Crimp type for H155 30.N005.00



N-female

Frequency: from DC to 6 GHz. Materials: Nickel plated brass, PTFE insulator, Gold plated pin.
Crimp type for RG 58, CO 100 30.N002.00
Clamp type for RG 8, RG 213 30.N004.00
Crimp type for H155 30.N006.00



BNC-male

Frequency: from DC to 4 GHz. Materials: Nickel plated brass, Delrin insulator, Gold plated pin.
Crimp type for RG 58, CO 100 30.BNC001.00



BNC-female

Frequency: from DC to 4 GHz. Materials: Nickel plated brass, Delrin insulator, Gold plated pin.
Crimp type for RG 58, CO 100 30.BNC002.00



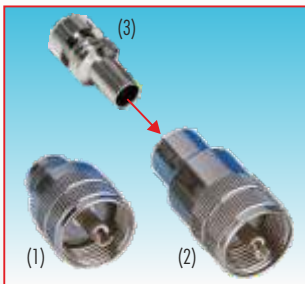
TNC-male

Frequency: from DC to 4 GHz. Materials: Nickel plated brass, PTFE insulator, Gold plated pin.
Crimp type for RG 58, CO 100 30.TNC001.00



TNC-male Reverse Polarity

Frequency: from DC to 4 GHz. Materials: Nickel plated brass, PTFE insulator, Gold plated pin.
Crimp type for RG 58, CO 100 30.TNC002.00



PL 259 connectors

Mounting: Twist on, central pin soldering
1) PL 259/R for RG 58 2505600.00
2) PL 259/9 for RG 213 2505500.00
3) 6.5mm diameter reducer PL 259/9 to RG 59 30.AD024.00

COAXIAL CABLES Data

Type	Impedance	External diameter	Colour
RG 58 C/U	50 Ω	4.95 mm, 0.2 in	Black
LOW LOSS	50 Ω	4.95 mm, 0.2 in	White
RG 174	50 Ω	2.8 mm, 0.11 in	Black
RG 316/U	50 Ω	2.5 mm, 0.1 in	Brown

Attenuation dB for 100 m

Freq. Cable	25 MHz	50 MHz	100 MHz	200 MHz	300 MHz	400 MHz	500 MHz	800 MHz	1 GHz	1.6 GHz	1.8 GHz	2.0 GHz	2.2 GHz	2.4 GHz	2.5 GHz	3.0 GHz
RG 58 C/U	7	10	15	21	26	30	34	44	50	66	70	76	78	86	87	98
LOW LOSS	5	7	10	14	17	20	23	29	33	42	45	48	50	53	54	60
RG 174	13	18	27	39	48	56	64	84	95	124	133	141	150	159	162	184
RG 316/U	12	17	26	38	47	55	62	80	91	118	126	134	141	149	152	169



double N-female

Materials: Nickel plated brass, Delrin insulator, Gold plated central pin.
P/N 30.AD008.00



double SMA-female

Materials: Nickel plated brass, Delrin insulator, Gold plated central pin.
P/N 30.AD009.00



double SMA-male

Materials: Nickel plated brass, PTFE insulator, Gold plated central pin.
P/N 30.AD010.00



double UHF-female

Materials: Nickel plated brass, Delrin insulator.
P/N 30.AD011.00



FME-m / UHF-m adaptor
Materials: Nickel plated brass, Delrin insulator, Gold plated central pin.
P/N 30.AD002.00



FME-m / TNC-m adaptor
Materials: Nickel plated brass, Delrin insulator, Gold plated central pin.
P/N 30.AD003.00



FME-m / Mini UHF-m adaptor
Materials: Nickel plated brass, Delrin insulator, Gold plated central pin.
P/N 30.AD004.00



FME-m / BNC-m adaptor
Materials: Nickel plated brass, Delrin insulator, Gold plated central pin.
P/N 30.AD005.00



FME-m / N-m adaptor
Materials: Nickel plated brass, Delrin insulator, Gold plated central pin.
P/N 30.AD006.00



N-m / UHF-f adaptor
Materials: Nickel plated brass, Delrin insulator, Gold plated central pin.
P/N 30.AD012.00



SMA-f / BNC-f adaptor
Materials: Nickel plated brass, Delrin insulator, Gold plated central pin.
P/N 30.AD013.00



SMA-f / BNC-m adaptor
Materials: Nickel plated brass, Delrin insulator, Gold plated central pin.
P/N 30.AD014.00



SMA-f / N-f adaptor
Materials: Nickel plated brass, Delrin insulator, Gold plated central pin.
P/N 30.AD015.00



SMA-f / N-m adaptor
Materials: Nickel plated brass, Delrin insulator, Gold plated central pin.
P/N 30.AD016.00



SMA-f / UHF-f adaptor
Materials: Nickel plated brass, Delrin insulator, Gold plated central pin.
P/N 30.AD017.00



SMA-m / BNC-f adaptor
Materials: Nickel plated brass, Delrin insulator, Gold plated central pin.
P/N 30.AD018.00



SMA-m / BNC-m adaptor
Materials: Nickel plated brass, Delrin insulator, Gold plated central pin.
P/N 30.AD019.00



SMA-m / N-m adaptor
Materials: Nickel plated brass, Delrin insulator, Gold plated central pin.
P/N 30.AD020.00



SMA-m / UHF-f adaptor
Materials: Nickel plated brass, Delrin insulator, Gold plated central pin.
P/N 30.AD021.00



UHF-f / BNC-m adaptor
Materials: Nickel plated brass, Delrin insulator, Gold plated central pin.
P/N 30.AD022.00



UHF-m / N-f adaptor
Materials: Nickel plated brass, Delrin insulator.
P/N 30.AD023.00

		Side A									
		BNC-f	BNC-m	FME-m	mini UHF-m	N-f	N-m	SMA-f	SMA-m	UHF-f	UHF-m
Side B	BNC-f							30.AD013.00	30.AD018.00		
	BNC-m			30.AD005.00				30.AD014.00	30.AD019.00	30.AD022.00	
	FME-m		30.AD005.00		30.AD004.00		30.AD006.00				30.AD002.00
	mini UHF-m			30.AD004.00							
	N-f					30.AD008.00		30.AD015.00			30.AD023.00
	N-m			30.AD006.00				30.AD016.00	30.AD020.00	30.AD012.00	
	SMA-f	30.AD013.00	30.AD014.00			30.AD015.00	30.AD016.00	30.AD009.00		30.AD018.00	
	SMA-m	30.AD018.00	30.AD019.00				30.AD020.00		30.AD010.00	30.AD021.00	
	UHF-f		30.AD022.00				30.AD012.00	30.AD018.00	30.AD021.00	30.AD011.00	
	UHF-m			30.AD002.00		30.AD023.00					

ADAPTORS Table

While the information has been carefully compiled to the best of our knowledge, nothing is intended as representation or warranty on our part and no statement herein shall be construed as recommendation to infringe existing patents. SIRIO ANTENNE reserves the right to change on any time and without prior warning the technical specification on any product in this catalogue. Copyright ©2019



SIRIO[®]
antenne

SIRIO ANTENNE Srl, via Liguria 15
46049 Volta Mantovana, MN - ITALY
Ph. +39 0376 801515, Fax +39 0376 801254
www.sirioantenne.it info@sirioantenne.it